



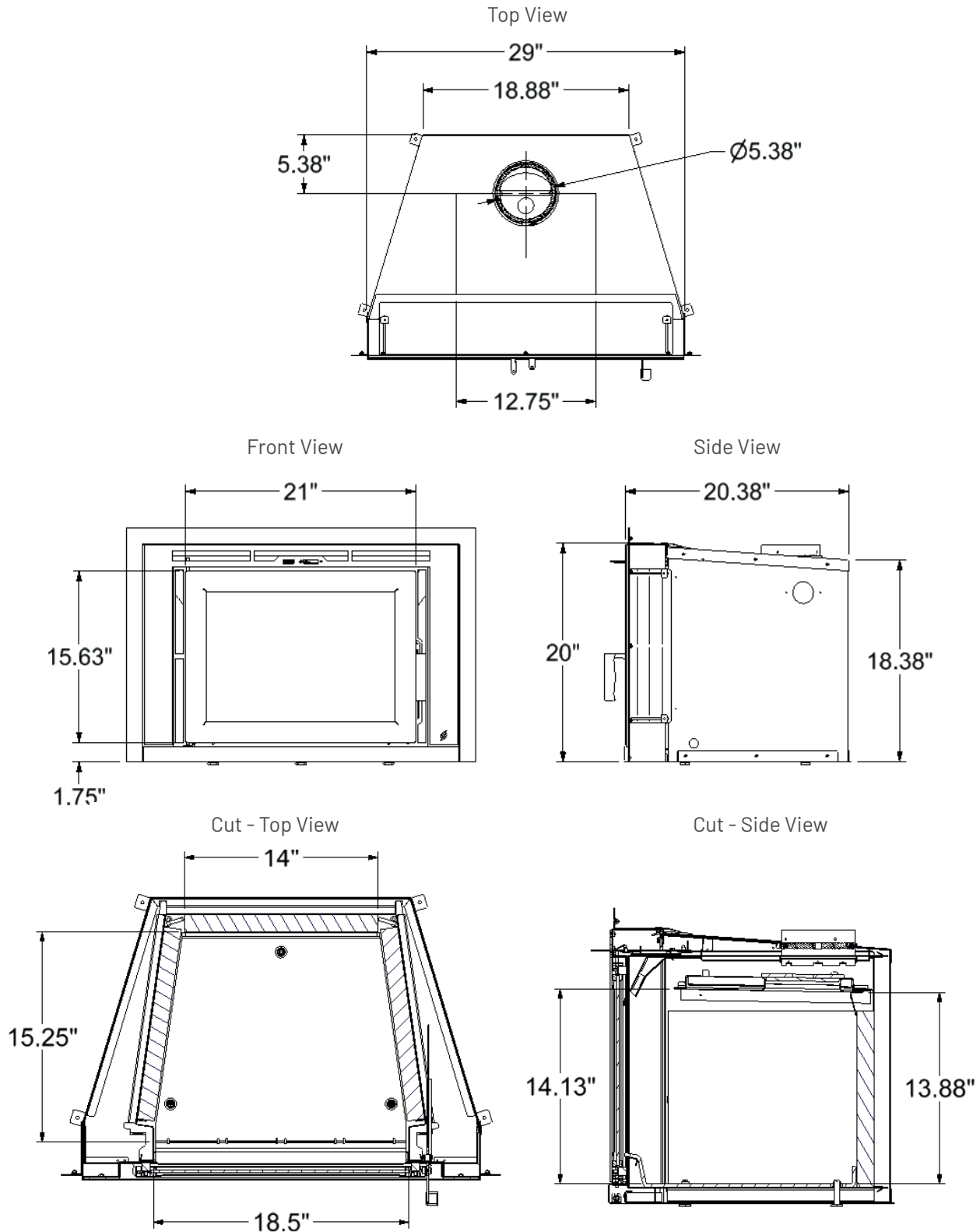
AMBIANCE®

FIREPLACES | BBQ | OUTDOORS | SPAS

Flair®
WOOD COLLECTION

Model: Flair® 29

Dimensions





Model: Flair[®] 29

Required Surround

A surround and a 16 gauge backplate comes standard with the FLAIR[®] 29. Please refer to the Figure 2-8 for dimensions.

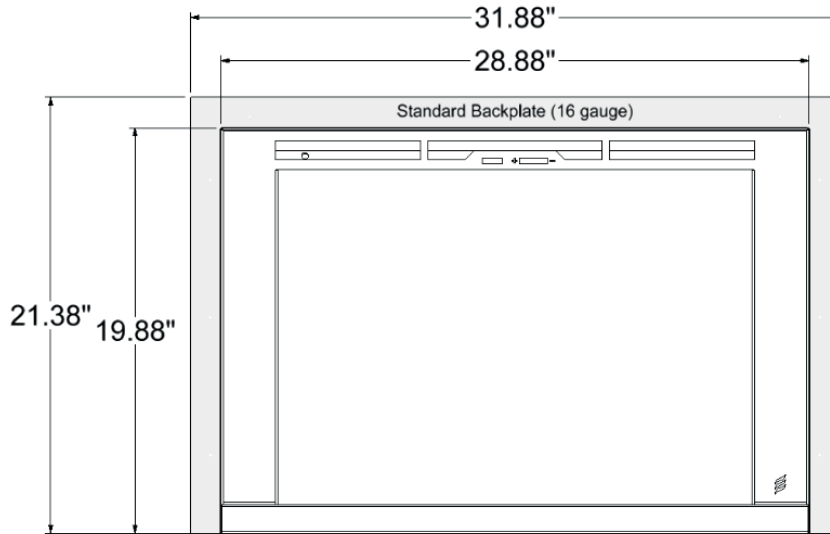
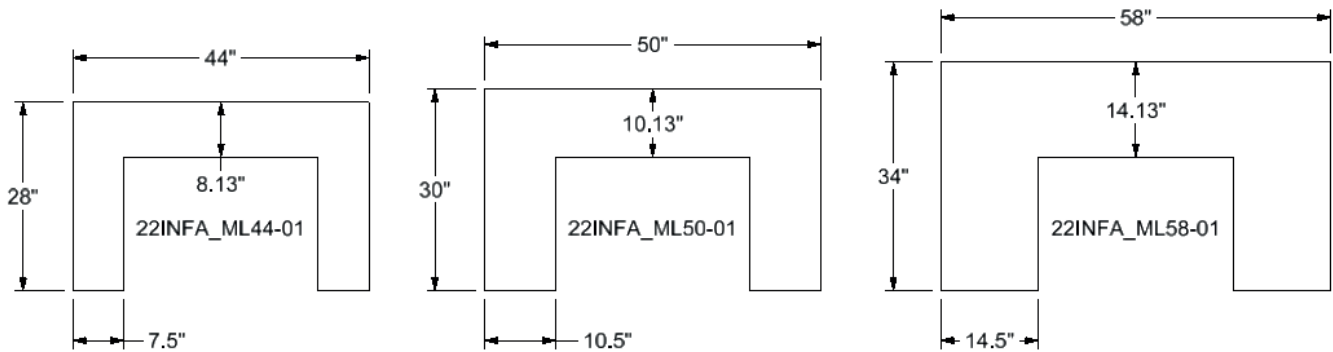


Figure 2-8 : UWB300 - FLAIR[®] 29 Surround

Optional Backplates

A 12 gauge thick backplates option is offered to cover the opening between the existing masonry fireplace and the surround of the unit. It is permitted to cut the surround for installation or aesthetic purposes. Please refer below to the backplate options of the FLAIR[®] insert.





Model: **Flair® 29**

Specifications

BTU		FIREBOX		EFFICIENCIES			VENTING		
Cordwood	EPA	Cu. Ft	Log Length	g / hr	Optimal %	HHV	Type	Diameter	Brand
75,000	19,559	2.2	18"	1.3 g	75 %	67 %	Class A	5-inch	All

GLASS			OVERALL RECESSED PART DIMENSIONS			MINIMUM FIREPLACE OPENING		
Type	Dimensions	Area sq in	Width	Depth	Height	Width	Depth	Height
Ceramic	17.19" W X 11.81" H	203	29"	17.38"	20"	29" (Front), 19" (Back)	17"	20" (Front), 18.5" (Back)

Minimum Opening Dimensions

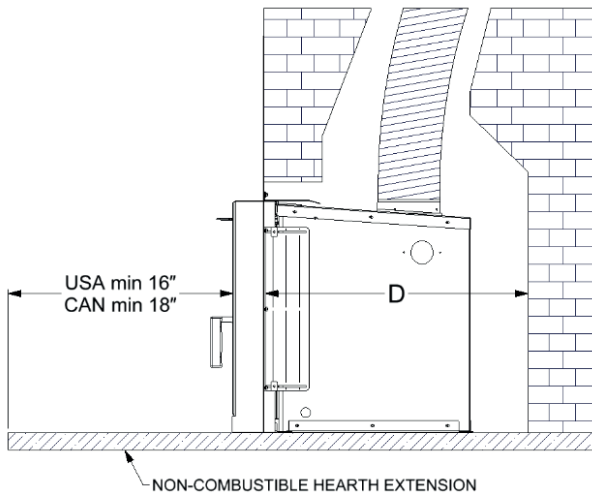


Figure 3-1 : Minimum Opening Dimensions - Side View

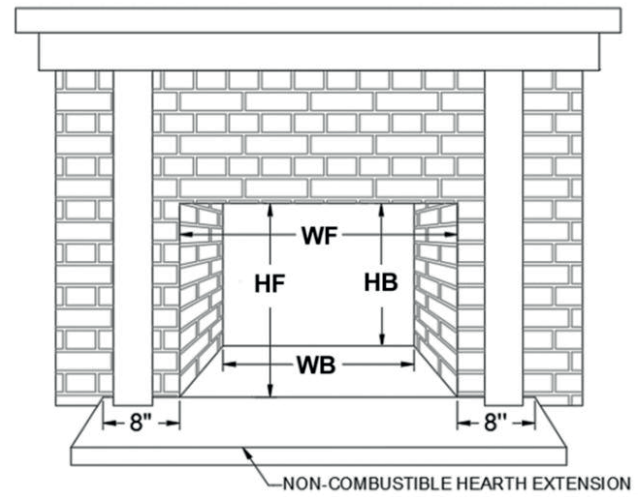


Figure 3-2 : Minimum Opening Dimensions - Front View

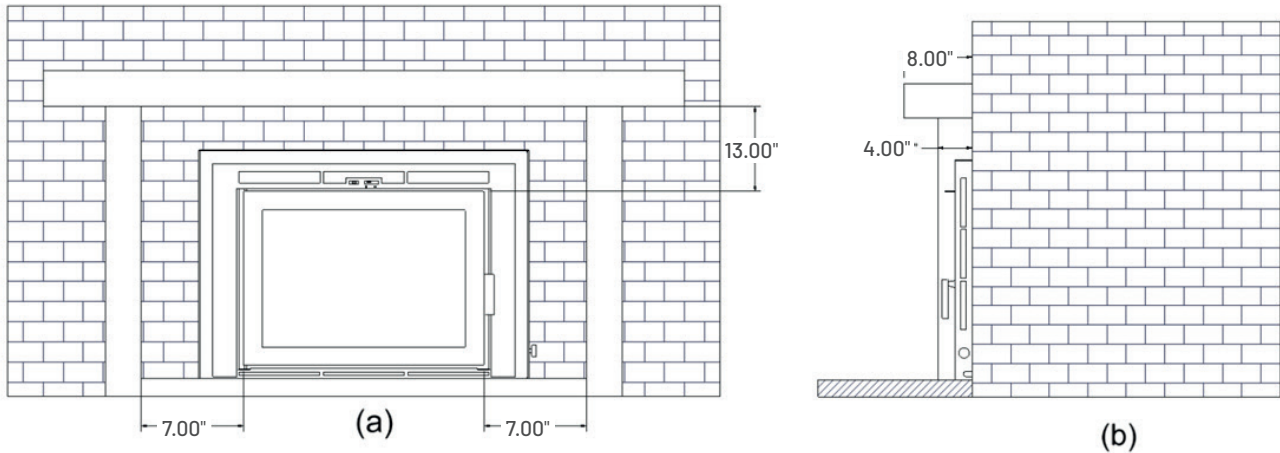
Table 3-1 : Minimum Opening Dimensions

Width (Front) - WF	29" (737 mm)
Width (Back) - WB	19" (483 mm)
Height (Front) - HF	20" (508 mm)
Height (Back) - HB	18.5" (470 mm)
Min. Depth - D	17" (432 mm)



Model: **Flair® 29**

Clearances to Combustibles



Clearances to Combustibles (a) Front View (b) Side View

NOTE: The non-combustible hearth must extend a minimum of 16" for USA (406 mm) and 18" (457 mm) for Canada from the door and 8" (203 mm) on each side of the masonry fireplace opening and must be a minimum of 50" (1,270 mm) long.

WARNING: Keep a minimum distance of 5' (152 cm) from the unit to any combustible material (such as firewood, furniture, and drapes) as a fire hazard precaution.

The depth of the mantel is measured from the face of the fireplace door. When the non-combustible wall is recessed, the depth of the mantel can be increased by the amount of the recess.

Note that a mantel cannot be installed below the minimum clearance of 13" from the bottom of the mantel to the top edge of the door.

Sidewall from outer edge of fuel door	15.5" (394 mm)
Side trim (max 4" depth) from outer edge of fuel door	7" (178 mm)
Protruding mantel (max 8" depth) from top edge of fuel door	13" (330 mm)
Height (H) from the base of the unit to the floor with a non-compliant N.F.P.A. 211 hearth extension having a negligible R-value	13" (330 mm)
Height (H) from the base of the unit to the floor with a non-compliant N.F.P.A. 211 hearth extension having a R-value of 2.957	USA: 3.5" (89 mm) CAN: 1.25" (32 mm)

Examples of Depth with Respect to Distance from Top Edge of Door

Maximum mantel depth	Distance from the top edge of the door of the FLAIR® to the bottom of the mantel
8" (203 mm)	13" (330 mm)
10" (254 mm)	15" (381 mm)
12" (305 mm)	17" (432 mm)



Model: Flair® 29

Circulating chamber

The circulating chamber is a standard component of the FLAIR® insert. It is designed to prevent heat escaping to the existing chimney and allows for an optimal air flow and heat transfer. The removable top bracket can be taken off during installation to allow a better access to the liner adaptor. Note that the removable top bracket needs to be installed and fastened (2X #8-32 Serrated Flange Nut) before operating the FLAIR®. See Figure 2-11.

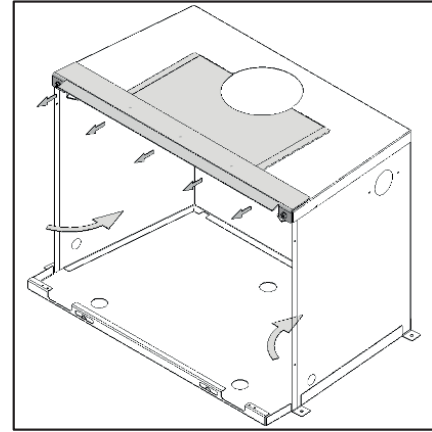


Figure 2-11: Circulating Chamber

Optional Fresh Air Kit

Sufficient air exchange is necessary for the fireplace to operate properly and to maintain a good combustion. In an airtight household, the fireplace may not function as designed due to a lack of air, it is therefore recommended to install the fresh air kit in such cases. The fresh air system is an optional kit intended to bring combustion air into the fireplace from an exterior source.

Note that the FLAIR® is designed to use a minimum amount of air during operation. Using an air exchanger or simply opening a nearby window/door during the ignition of the unit will achieve a similar result as the fresh air kit. When the fireplace is idle, there is no air escaping from the house through the chimney. **Consult a local authority having jurisdiction (such as the fire department, the municipal building department, the fire prevention bureau) to determine if it is mandatory to install a fresh air kit in your area.**

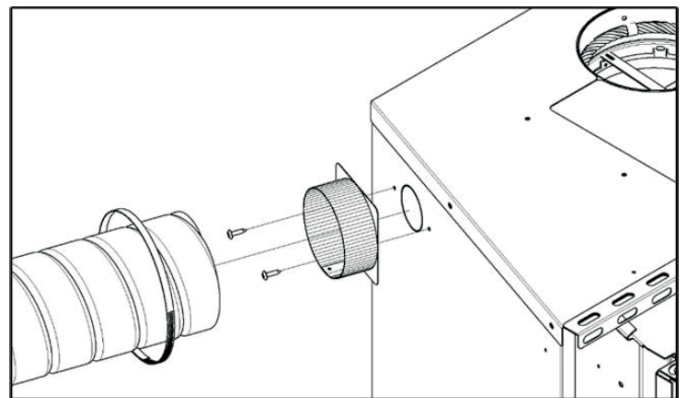


Figure 4-5: Fresh Air Adapter Installation



Model: Flair® 29

Backplate Position - Measurements

The backplate can be adjusted by up to 2 7/8 inches (FLAIR® 29) on the FLAIR® surround. Before continuing with the installation, it is necessary to measure the gaps (distances G1 and G2) between the masonry and the FLAIR® surround. Install the FLAIR® surround temporarily (See Figure 3-9) and refer to the Figure 3-12 to take the measurements. Make sure to note them for future use.

NOTE: In some installations the masonry might be slightly inclined, it is possible to adjust the backplate to correct small angle imperfections by offsetting the top and side brackets with the gap measurements.

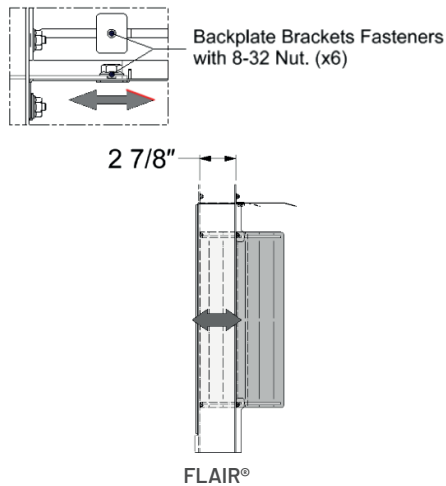


Figure 3-11: Adjustable Backplate

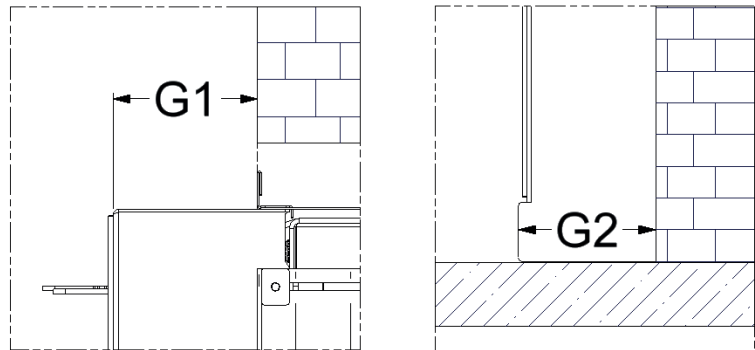


Figure 3-12: Gap Measurements between the Masonry and the FLAIR® Surround

Backplate Position - Minimum and Maximum

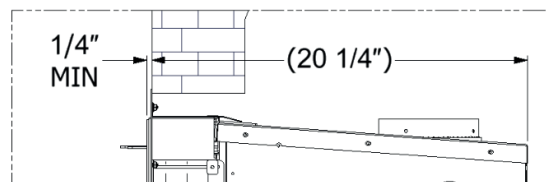


Figure 3-14: FLAIR® 29 Minimum Backplate Position

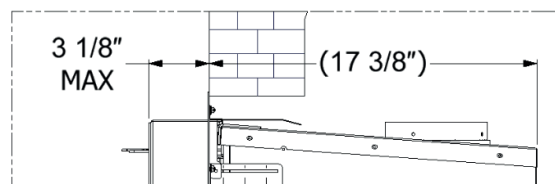


Figure 3-15: FLAIR® 25 Maximum Backplate Position