



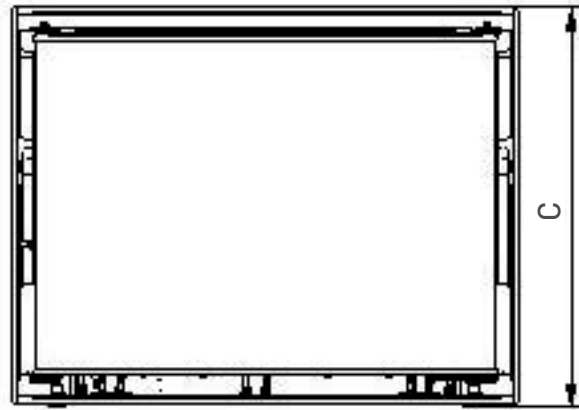
AMBIANCE®

FIREPLACES | BBQ | OUTDOORS | SPAS

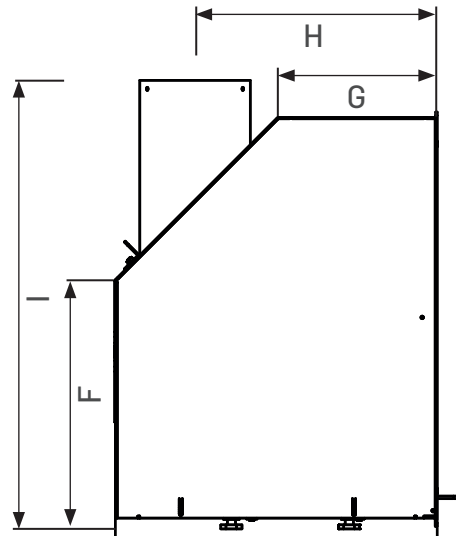
**LUXUS® EPA
WOOD SERIES**

Model: LUXUS® i24, i28 (USA)

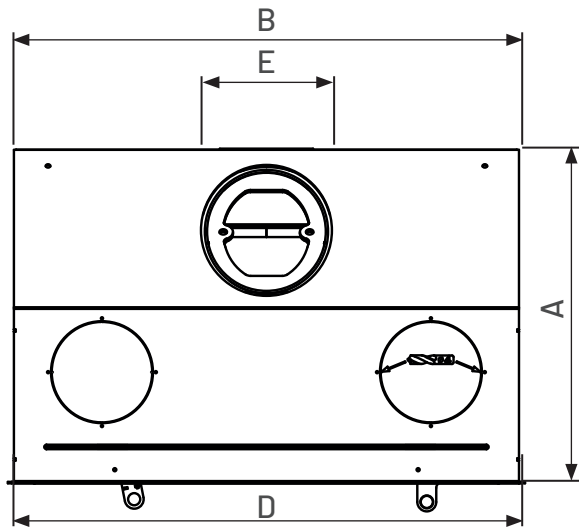
Overall Dimensions i24



Front View



Side View



Top View

	Luxus® i24
A	16 1/8" / 410 mm
B	22 5/16" / 566 mm
C	21 1/2" / 544 mm
D	23" / 582 mm
E	6" / 153 mm
F	13 9/16" / 344 mm
G	8 3/4" / 221 mm
H	12 5/16" / 313 mm
I	23 1/4" / 591 mm

BTU		FIREBOX		EFFICIENCIES			VENTING		
Cordwood	EPA	Cu. Ft	Ideal Log Length	g / hr	Optimal %	HHV	Type	Diameter	Brands
40,000	47,417	1,1	17"	1.67	70%	70.29%	Class A	6-inch	All

GLASS		WEIGHT	DIMENSIONS			MINIMUM FIREPLACE OPENING			
Type	Dimensions	Area sq. in.	Lbs	Width	Depth	Height	Width	Depth	Height
4 mm Ceramic	20" x 17.063"	341	236	23"	16.125"	21.5"	22.813"	16.375"	21.75"



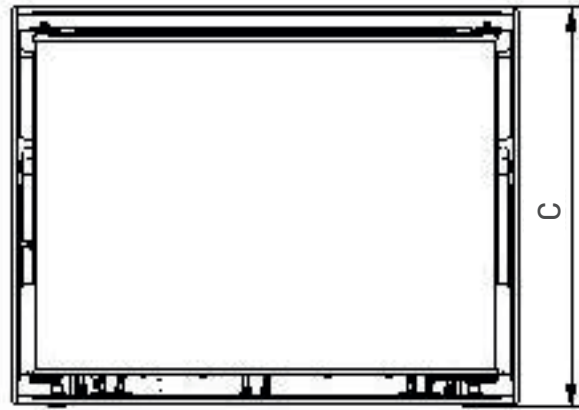
AMBIANCE®

FIREPLACES | BBQ | OUTDOORS | SPAS

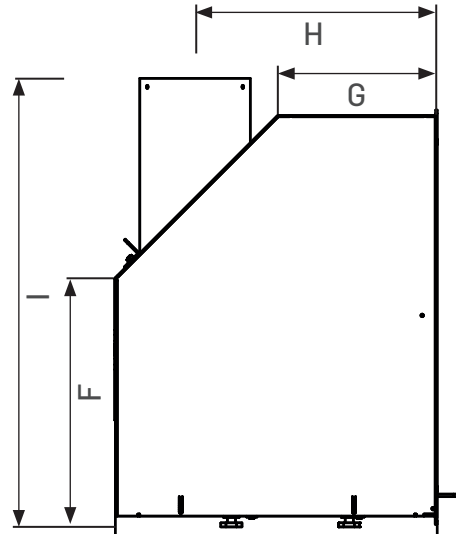
**LUXUS® EPA
WOOD SERIES**

Model: LUXUS® i24, i28 (USA)

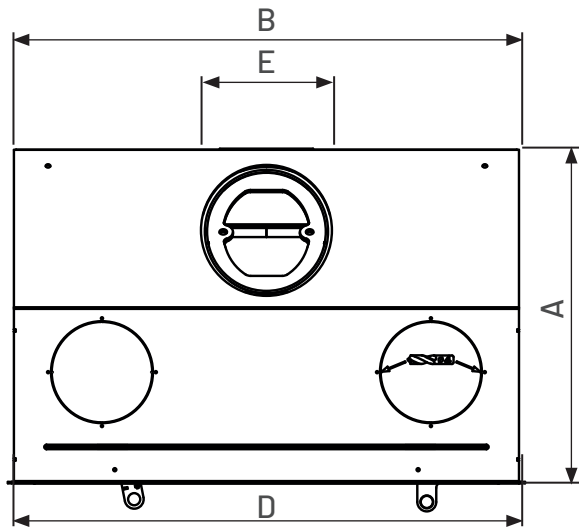
Overall Dimensions i28



Front View



Side View



Top View

	Luxus® i28
A	17 5/16" / 440 mm
B	26 1/4" / 666 mm
C	23 5/8" / 594 mm
D	26 5/16" / 682 mm
E	6" / 153 mm
F	14 7/8" / 377 mm
G	8 15/16" / 227 mm
H	13" / 330 mm
I	25 1/4" / 641 mm

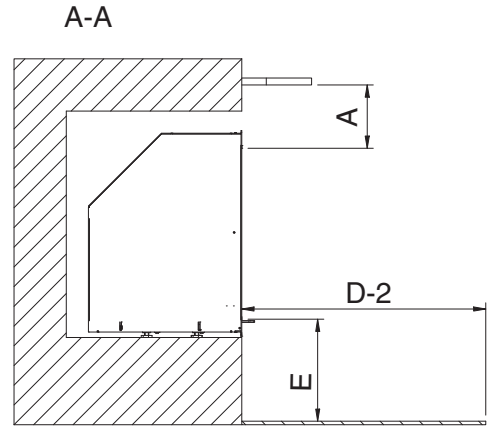
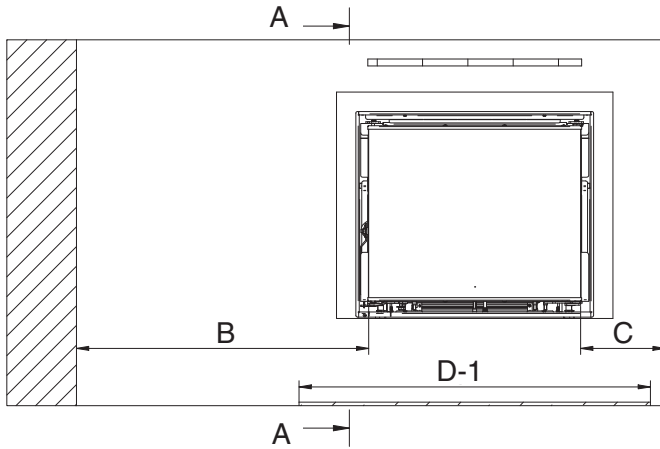
BTU		FIREBOX		EFFICIENCIES			VENTING		
Cordwood	EPA	Cu. Ft	Ideal Log Length	g / hr	Optimal %	HHV	Type	Diameter	Brands
60,000	29,452	1.8	21"	1.14	67%	66.77%	Class A	6-inch	All

GLASS		WEIGHT	DIMENSIONS			MINIMUM FIREPLACE OPENING			
Type	Dimensions	Area sq. in.	Lbs	Width	Depth	Height	Width	Depth	Height
4 mm Ceramic	23.938" x 19"	454	275	26.313"	17.313"	23.625"	26.75"	17.563"	23.875"



Model: LUXUS® i24, i28 (USA)

Installation



A	Combustible mantle to top of glass
B	Sidewall to insert
C	Side facing
D-1	Hearth extension, width
D-2	Hearth extension, depth

	USA
A	7 1/4" for 8" thickness
B	15"
C	15"
D-1	unit width and add 6" on each side
D-2	16"
E	9 1/4" from the floor to the bottom of the glass or 6 1/2" with R value 2,957

Informations to D-1/D-2:

The floor in front of the wood insert requires thermal protection. This protection must be non-combustible. Also this floor protector must be listed to UL 1618 ember protection.

Do NOT install in a mobile home



AMBIANCE[®]

FIREPLACES | BBQ | OUTDOORS | SPAS

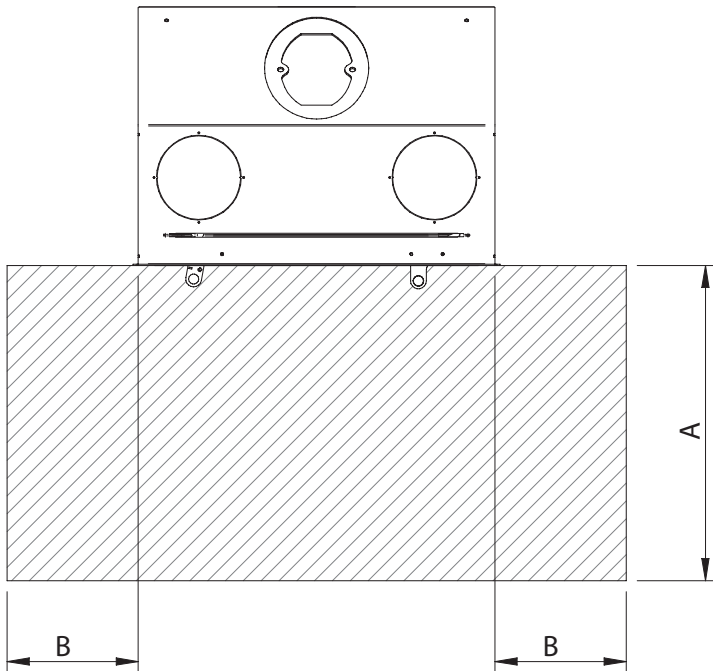
LUXUS[®] EPA
WOOD SERIES

Model: LUXUS[®] i24, i28 (USA)

Hearth Requirements & Floor Protection

INSTALL THE HEARTH EXTENSION ONLY AS ILLUSTRATED!

A 16" / 406 mm (USA) minimum hearth extension in front of the stove made of non combustible material is required. In front of the unit, the hearth extension must extend 6" on each side. The non combustible material that is used must be UL 1618 ember protection.



Hearth Dimensions	
A	16" / 406 mm
B	6" / 152 mm



AMBIANCE®

FIREPLACES | BBQ | OUTDOORS | SPAS

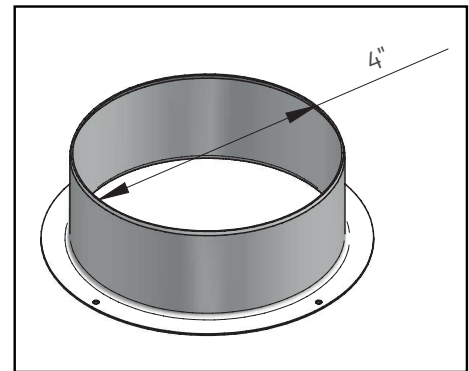
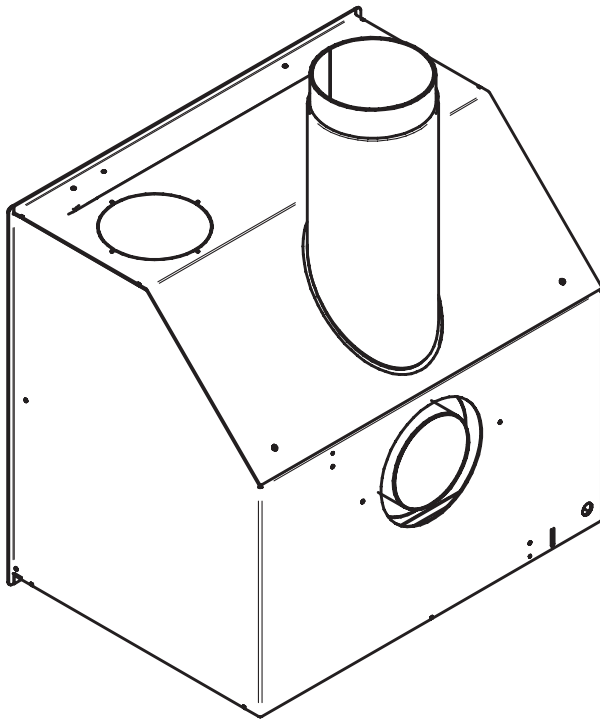
LUXUS® EPA
WOOD SERIES

Model: LUXUS® i24, i28 (USA)

Combustion Air

When mounting the air system ensure that the air control system provides fresh air from the outside. To connect the separate combustion air directly to the unit you need to have the right separate combustion air connector Ø 4". Fix the connector directly to the unit. It can be oriented to the left side, right side or to the back.

LUXUS® i24 and i28 Backside air intake



Grills

The combustion air ducts will be protected at the outside by a grill. The free passage section of those grills is at least equivalent to the section of the air inlet. Please note that the infiltration of water and the effect of the wind can damage the system.



Model: LUXUS® i24, i28 (USA)

Closure Valve and Combustion Air Intake Requirements

If you decide to connect separate combustion air it is mandatory to install a closure valve to prevent condensation formation and to prevent the room from becoming cold while the stove is not in use. It should ideally be located as close as possible to the outside wall. It can be controlled from inside if it is not too far from the stove (cable length = 47").

It is recommended that the 4" Combustion air intake duct is installed in a correct manner. Please find the following information.

Outside Air- ducts must...

- Be protected on the outside by a grill where the free passage section of this grill is at least equivalent to the section of the air inlet Please note that the infiltration of wind, weather, snow and water can effect or damage the air combustion system.
- Ideally be fitted with a butterfly valve so that it can manually, be used to close the cold air from entering the firebox. Please note that the butterfly valve has to be 100% open or 100% closed and should not be used to adjust bur rate! Try to keep the butterfly valve as close to the outside wall as possible.
- The air-duct should be insulated and the distance from the wood stove to the outside should be as short as possible. For 4" air duct please refer to the maximum lengths and elbows.

Number of 90 degree elbows

4' = 4 elbows

8' = 4 elbows

10' = 2 elbows

12' = 0 elbow

If you exceed these guidelines, you must compensate by using a larger diameter and/or a smoother duct.

Careful not to crush the duct! It should ideally be located as close as possible to the outside wall.

- If it is not possible to bring in combustion air to the wood stove please ensure that there is sufficient air to feed the wood stove in the room - please note that this is not ideal. Please contact your dealer who offers suitable parts for air inlet ducts (pipes and damper).

Make sure that the wire mesh is mounted at the combustion air inlet.





Model: LUXUS® i24, i28 (USA)

Distance Combustible Mantle

