



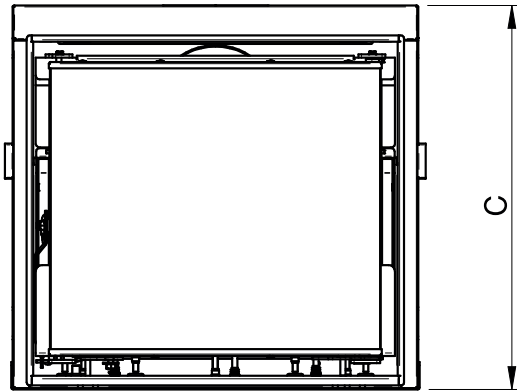
AMBIANCE®

FIREPLACES | BBQ | OUTDOORS | SPAS

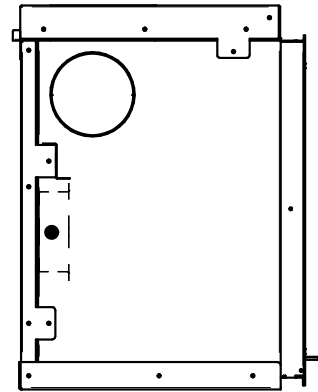
**LUXUS® EPA
WOOD SERIES**

Model: LUXUS® ZC24, ZC28 (USA)

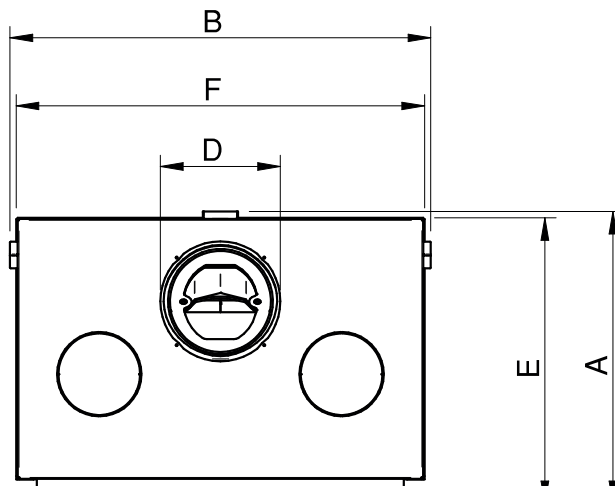
Overall Dimensions ZC24



Front View



Side View



Top View

	Luxus® ZC24
A	19" / 483 mm
B	25 5/16" / 643 mm
C	23 5/16" / 592 mm
D	6" / 152 mm
E	18 3/8" / 439 mm
F	24 5/16" / 618 mm

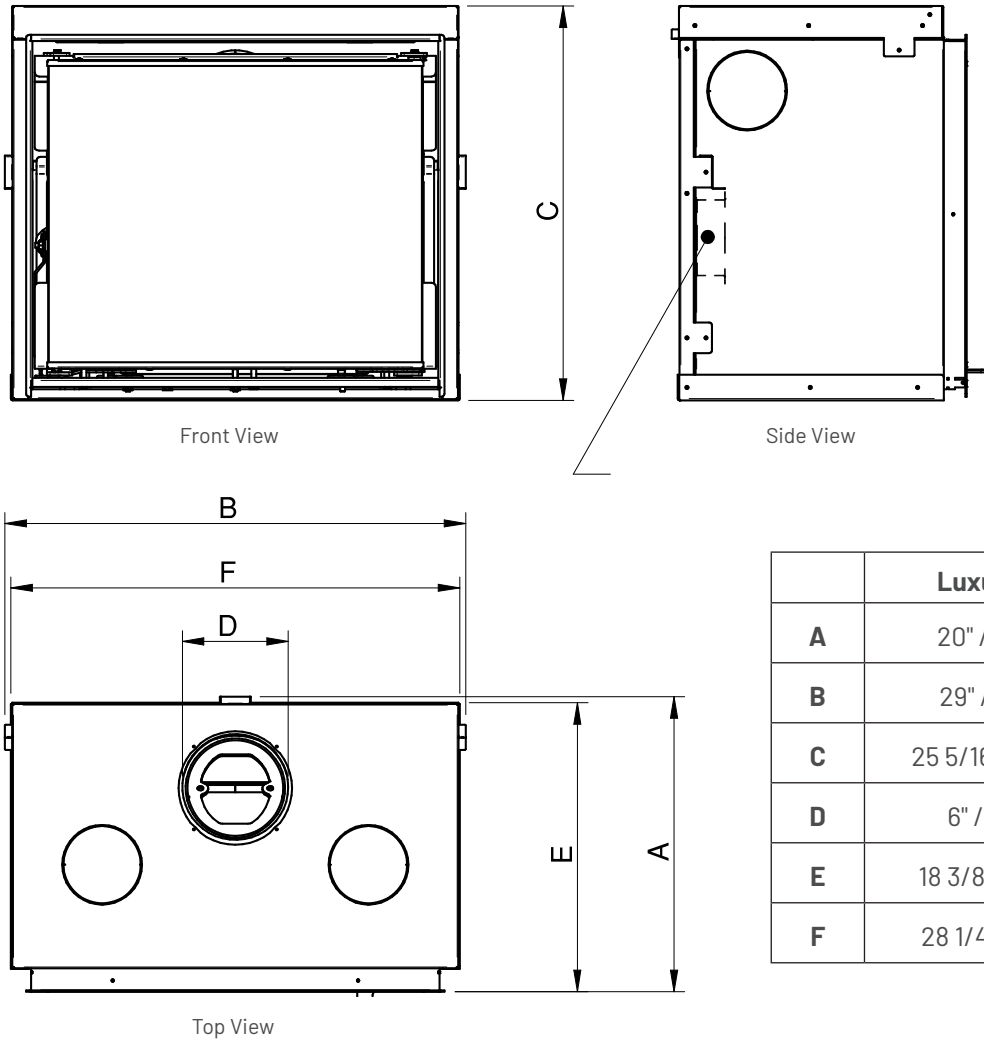
BTU		FIREBOX		EFFICIENCIES			VENTING		
Cordwood	EPA	Cu. Ft	Ideal Log Length	g / hr	Optimal %	HHV	Type	Diameter	Brands
40,000	47,417	1.1	17"	1.67	70%	70.29%	Class A	6-inch	All

GLASS			WEIGHT	DIMENSIONS		
Type	Dimensions	Area sq. in.	Lbs	Width	Depth	Height
4 mm Ceramic	20" x 17.063"	341	265	25.313"	19"	23.313"



Model: LUXUS® ZC24, ZC28 (USA)

Overall Dimensions ZC28



	Luxus® ZC28
A	20" / 508 mm
B	29" / 737 mm
C	25 5/16" / 643 mm
D	6" / 152 mm
E	18 3/8" / 466 mm
F	28 1/4" / 718 mm

BTU		FIREBOX		EFFICIENCIES			VENTING		
Cordwood	EPA	Cu. Ft	Ideal Log Length	g / hr	Optimal %	HHV	Type	Diameter	Brands
60,000	29,452	1.8	21"	1.14	66.77%	66.77%	Class A	6-inch	All

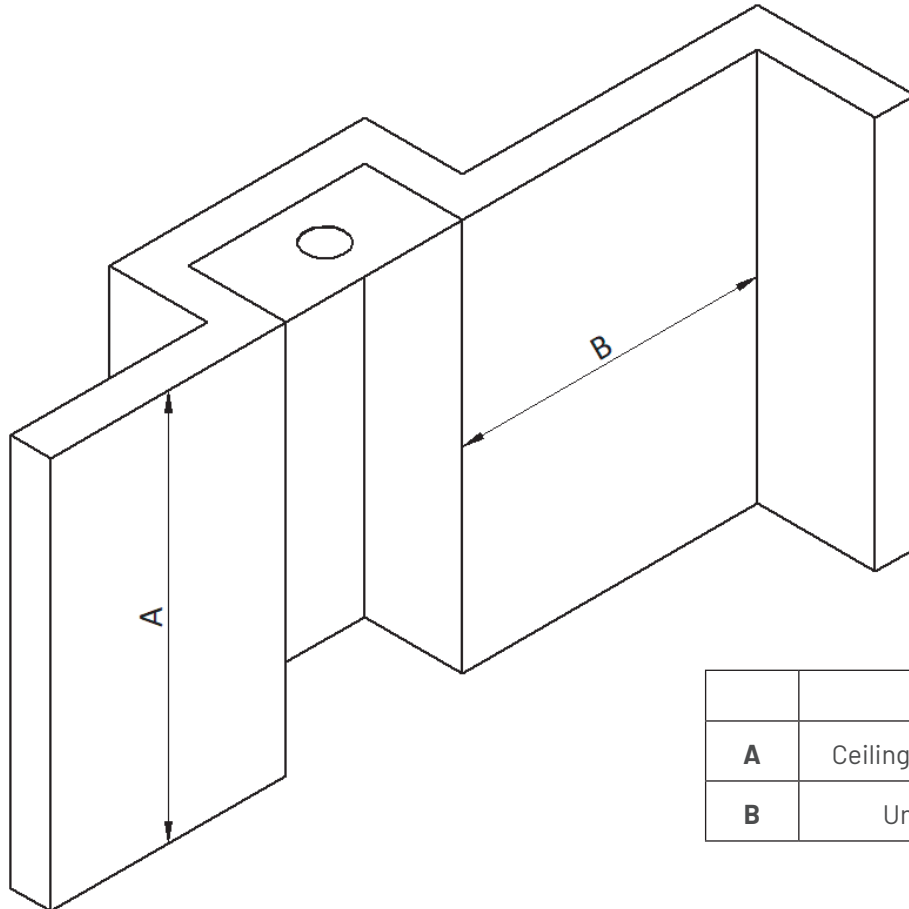
GLASS			WEIGHT	DIMENSIONS		
Type	Dimensions	Area sq. in.	Lbs	Width	Depth	Height
4 mm Ceramic	23.938" x 19"	454	298	29.25"	20"	23.313"



Model: LUXUS® ZC24, ZC28 (USA)

Framing

PLEASE NOTE- 1/2" SPACERS ON THE SIDES AND 1 5/8" AT THE BACK.
PLEASE KEEP THE SPACES CLEAR OF INSTALLATION MATERIAL.



	Clearance
A	Ceiling to bottom of unit =84"
B	Unit to side wall =17"

IMPORTANT: COMPLETE FRONT CHASE MUST BE NON COMBUSTIBLE.

The floor in front of the fireplace requires ember protection. This protection must be non-combustible. Also this floor protector must be listed to UL 1618.

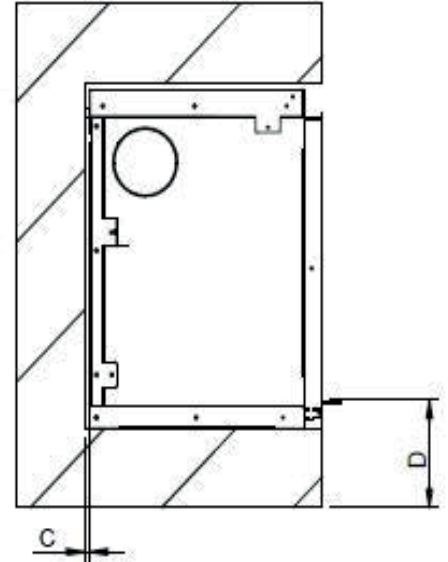
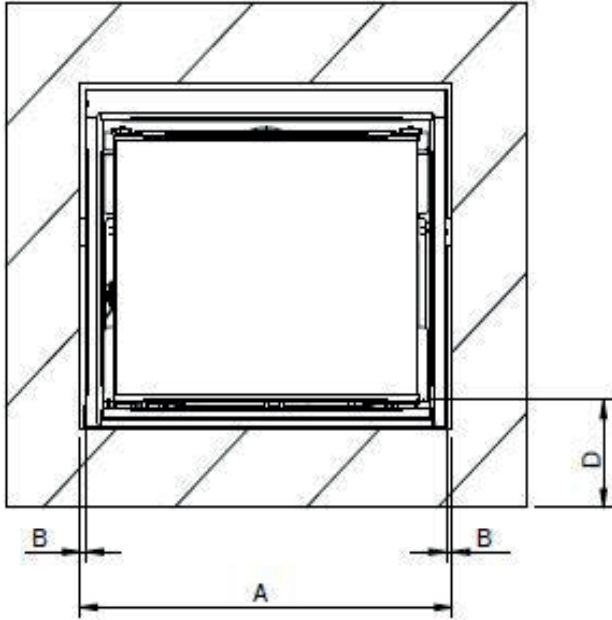
Do NOT install in a mobile home

The recommend minimum distance from stove to furniture is 48 inches. Note that some furniture is more easily affected by heat and may need to be moved to greater distance. This is your responsibility. In addition, other combustible materials, away from the stove. In general, a distance of 48" in front of the appliance must be maintained between the stove and moveable combustible item such as drying clothes, newspapers, firewood etc. Failure to meet the required clearances can endanger property and personal safety.



Model: LUXUS® ZC24, ZC28 (USA)

Installation



	LUXUS® ZC24 FIREPLACE	LUXUS® ZC28 FIREPLACE
A	25 9/16" / 649 mm	29 5/8" / 752 mm
B	1/2" / 13 mm	1/2" / 13 mm
C	1 5/8" / 41 mm	1 5/8" / 41 mm
D	15.25" / 387 mm from bottom of glass	15.25" / 387 mm from bottom of glass

3.2 FLANGES AND ANCHOR PLATE

NOTE! The anchor plate is not included with the unit. Use only an chimney certified as UL 103HT or ULC S-629. The dimensions and positioning of the different air inlet and outlet are available in the table in chapter «dimensions».



AMBIANCE®

FIREPLACES | BBQ | OUTDOORS | SPAS

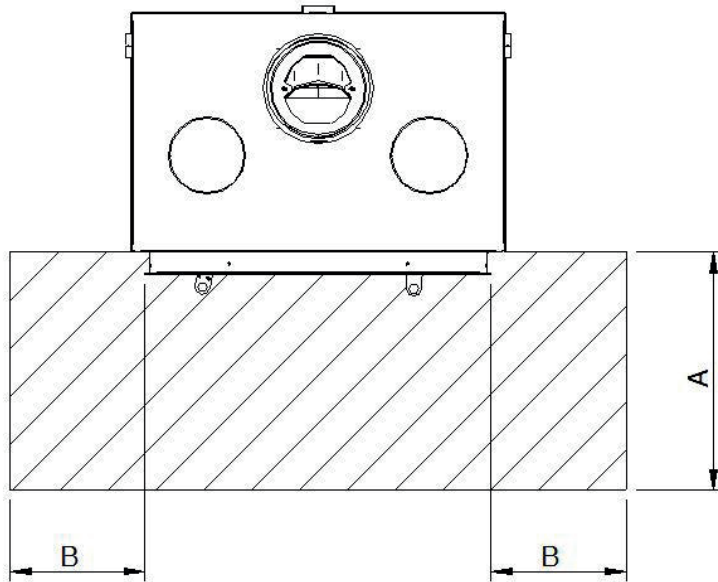
**LUXUS® EPA
WOOD SERIES**

Model: LUXUS® ZC24, ZC28 (USA)

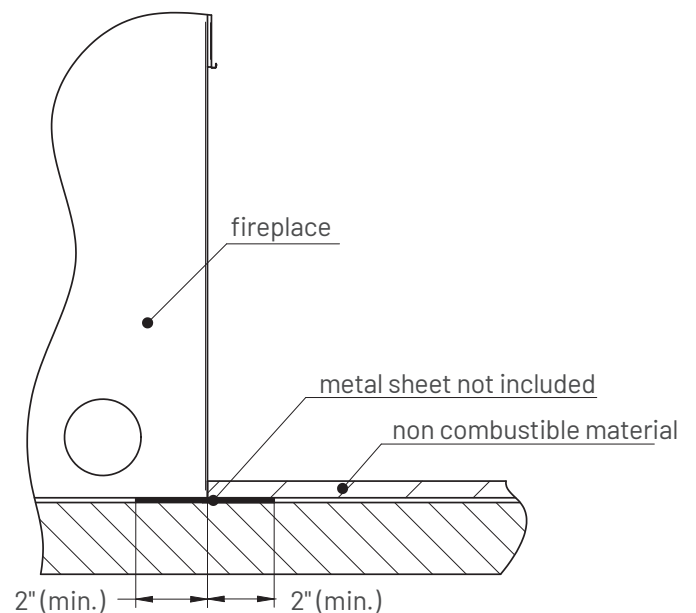
Hearth Requirements & Floor Protection

INSTALL THE HEARTH EXTENSION ONLY AS ILLUSTRATED!

A 16" / 406 mm (USA) minimum hearth extension in front of the stove made of non combustible material is required. In front of the unit, the hearth extension must extend 6" on each side, 8" in Canada. The non combustible material that is used must be UL 1618 ember protection.



Hearth Dimensions	
A	USA 16" / 406 mm
B	6" / 152 mm USA





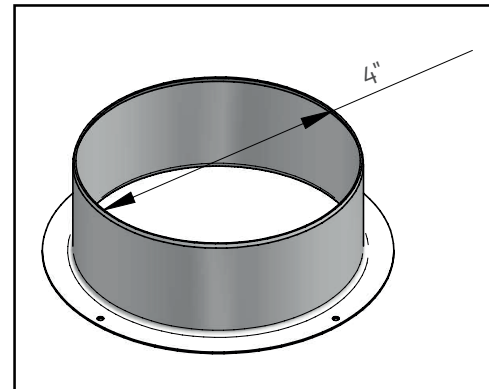
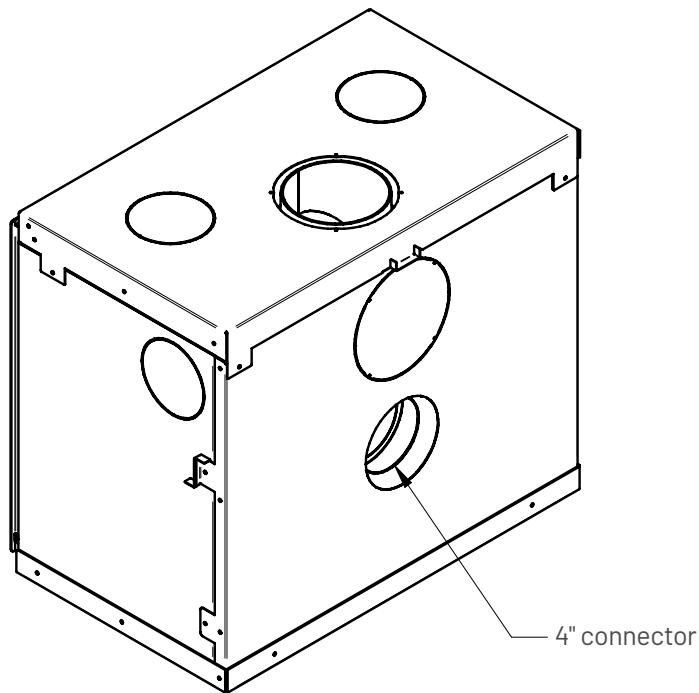
Model: LUXUS® ZC24, ZC28 (USA)

Combustion Air

The ZC Fireplaces LUXUS® ZC24 and ZC28 do require a combustion air outside connection.

To connect the separate combustion air directly to the unit you need to have the right separate combustion air connector Ø 4". Fix the connector directly to the unit.

LUXUS® ZC24 and ZC28 Backside air intake



Grills

The combustion air ducts will be protected at the outside by a grill. The free passage section of those grills is at least equivalent to the section of the air inlet. Please note that the infiltration of water and the effect of the wind can damage the system.



Model: LUXUS® ZC24, ZC28 (USA)

Closure Valve and Combustion Air Intake Requirements

If you decide to connect separate combustion air it is mandatory to install a closure valve to prevent condensation formation and to prevent the room from becoming cold while the stove is not in use. It should ideally be located as close as possible to the outside wall. It can be controlled from inside if it is not too far from the stove (cable length = 47").

It is recommended that the 4" Combustion air intake duct is installed in a correct manner. Please find the following information.

Outside Air- ducts must...

- Be protected on the outside by a grill where the free passage section of this grill is at least equivalent to the section of the air inlet Please note that the infiltration of wind, weather, snow and water can effect or damage the air combustion system.
- Ideally be fitted with a butterfly valve so that it can manually, be used to close the cold air from entering the firebox. Please note that the butterfly valve has to be 100% open or 100% closed and should not be used to adjust bur rate! Try to keep the butterfly valve as close to the outside wall as possible.
- The air-duct should be insulated and the distance from the wood stove to the outside should be as short as possible. For 4" air duct please refer to the maximum lengths and elbows.

Number of 90 degree elbows

4' = 4 elbows

8' = 4 elbows

10' = 2 elbows

12' = 0 elbow

If you exceed these guidelines, you must compensate by using a larger diameter and/or a smoother duct.

Careful not to crush the duct! It should ideally be located as close as possible to the outside wall.

- If it is not possible to bring in combustion air to the wood stove please ensure that there is sufficient air to feed the wood stove in the room - please note that this is not ideal. Please contact your dealer who offers suitable parts for air inlet ducts (pipes and damper).

Make sure that the wire mesh is mounted at the combustion air inlet.





Model: LUXUS® ZC24, ZC28 (USA)

Distance Combustible Mantle

Floor protection requirements		
	LUXUS® ZC24	LUXUS® ZC28
Distance from floor to the bottom of the door glass	15.25" / 387 mm	15.25" / 387 mm
Hearth extension in front of fuel loading door	16" / 406 mm	16" / 406 mm
Heart extension to the side of fuel loading door	6" / 152 mm	6" / 152 mm
Hearth material or R-value for hearth material	Non-combustible material	Non-combustible material

Mantle minimum clearances
Distance from top of glass to 12" mantel shelf = 21"

