



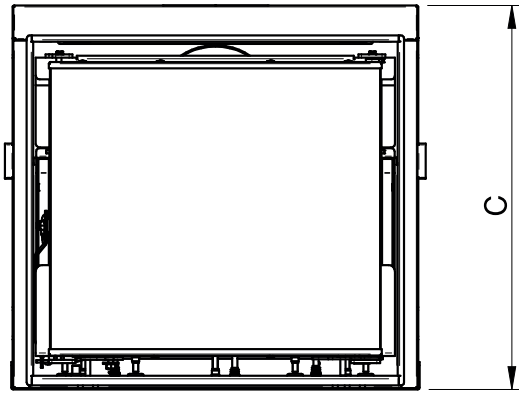
AMBIANCE®

FIREPLACES | BBQ | OUTDOORS | SPAS

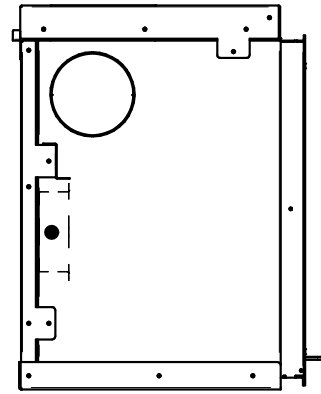
**LUXUS® EPA
WOOD SERIES**

Model: LUXUS® ZC24, ZC28 (CA)

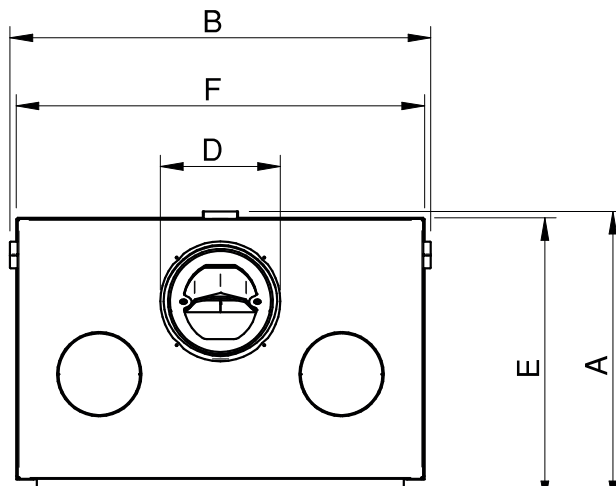
Overall Dimensions ZC24



Front View



Side View



Top View

| | Luxus® ZC24 |
|----------|--------------------|
| A | 19" / 483 mm |
| B | 25 5/16" / 643 mm |
| C | 23 5/16" / 592 mm |
| D | 6" / 152 mm |
| E | 18 3/8" / 439 mm |
| F | 24 5/16" / 618 mm |

| BTU | | FIREBOX | | EFFICIENCIES | | | VENTING | | |
|----------|--------|---------|------------------|--------------|-----------|--------|---------|----------|--------|
| Cordwood | EPA | Cu. Ft | Ideal Log Length | g / hr | Optimal % | HHV | Type | Diameter | Brands |
| 40,000 | 47,417 | 1.1 | 17" | 1.67 | 70% | 70.29% | Class A | 6-inch | All |

| GLASS | | | WEIGHT | DIMENSIONS | | |
|--------------|---------------|--------------|--------|------------|-------|---------|
| Type | Dimensions | Area sq. in. | Lbs | Width | Depth | Height |
| 4 mm Ceramic | 20" x 17.063" | 341 | 265 | 25.313" | 19" | 23.313" |



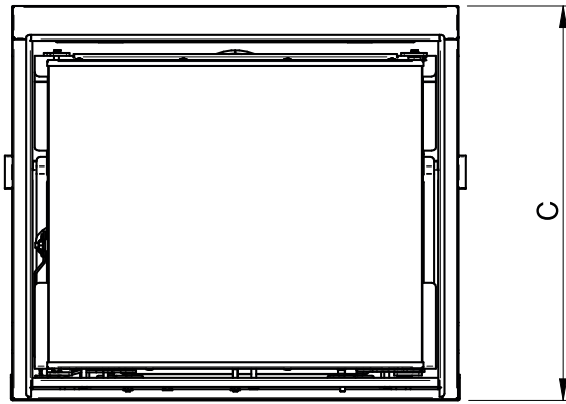
AMBIANCE®

FIREPLACES | BBQ | OUTDOORS | SPAS

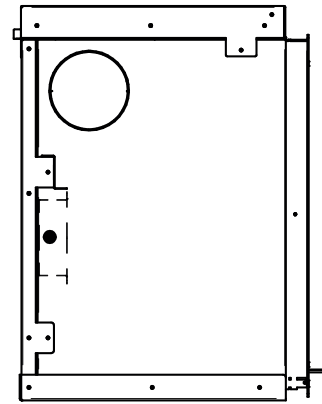
**LUXUS® EPA
WOOD SERIES**

Model: LUXUS® ZC24, ZC28 (CA)

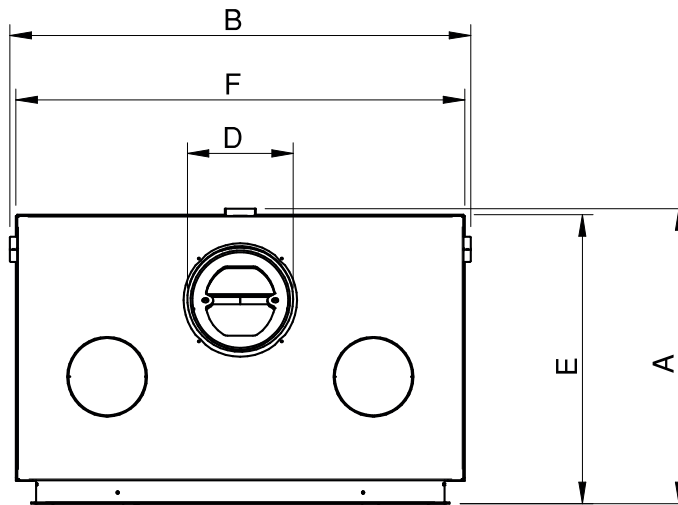
Overall Dimensions ZC28



Front View



Side View



Top View

| | Luxus® ZC28 |
|----------|--------------------|
| A | 20" / 508 mm |
| B | 29" / 737 mm |
| C | 25 5/16" / 643 mm |
| D | 6" / 152 mm |
| E | 18 3/8" / 466 mm |
| F | 28 1/4" / 718 mm |

| BTU | | FIREBOX | | EFFICIENCIES | | | VENTING | | |
|----------|--------|---------|------------------|--------------|-----------|--------|---------|----------|--------|
| Cordwood | EPA | Cu. Ft | Ideal Log Length | g / hr | Optimal % | HHV | Type | Diameter | Brands |
| 60,000 | 29,452 | 1.8 | 21" | 1.14 | 66.77% | 66.77% | Class A | 6-inch | All |

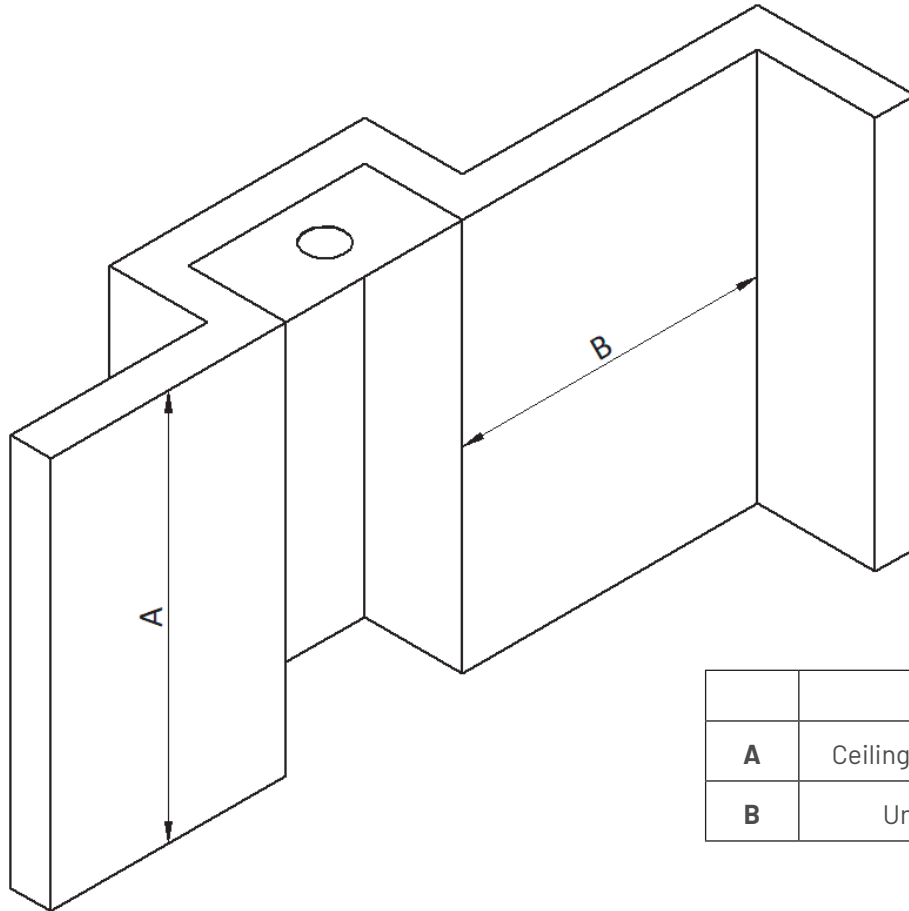
| GLASS | | | WEIGHT | DIMENSIONS | | |
|--------------|---------------|--------------|--------|------------|-------|---------|
| Type | Dimensions | Area sq. in. | Lbs | Width | Depth | Height |
| 4 mm Ceramic | 23.938" x 19" | 454 | 298 | 29.25" | 20" | 23.313" |



Model: LUXUS® ZC24, ZC28 (CA)

Framing

PLEASE NOTE- 1/2" SPACERS ON THE SIDES AND 1 5/8" AT THE BACK.
PLEASE KEEP THE SPACES CLEAR OF INSTALLATION MATERIAL.



| | Clearance |
|----------|--------------------------------|
| A | Ceiling to bottom of unit =84" |
| B | Unit to side wall =17" |

IMPORTANT: COMPLETE FRONT CHASE MUST BE NON COMBUSTIBLE.

The floor in front of the fireplace requires ember protection. This protection must be non-combustible. Also this floor protector must be listed to CSA-B365.

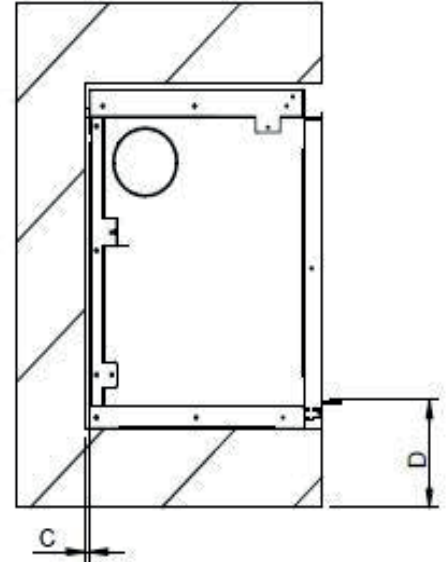
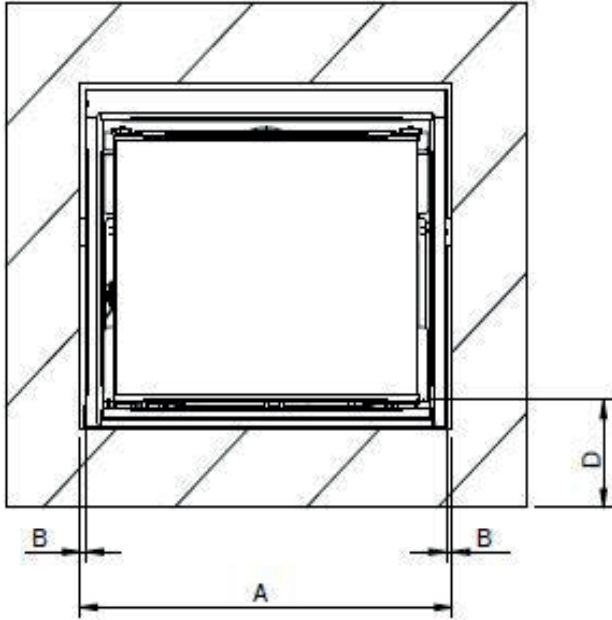
Do NOT install in a mobile home

The recommend minimum distance from stove to furniture is 48 inches. Note that some furniture is more easily affected by heat and may need to be moved to greater distance. This is your responsibility. In addition, other combustible materials, away from the stove. In general, a distance of 48" in front of the appliance must be maintained between the stove and moveable combustible item such as drying clothes, newspapers, firewood etc. Failure to meet the required clearances can endanger property and personal safety.



Model: LUXUS® ZC24, ZC28 (CA)

Installation



| | LUXUS® ZC24 FIREPLACE | LUXUS® ZC28 FIREPLACE |
|----------|---|---|
| A | 25 9/16" / 649 mm | 29 5/8" / 752 mm |
| B | 1/2" / 13 mm | 1/2" / 13 mm |
| C | 1 5/8" / 41 mm | 1 5/8" / 41 mm |
| D | 15.25" / 387 mm from bottom of glass | 15.25" / 387 mm from bottom of glass |

3.2 FLANGES AND ANCHOR PLATE

NOTE! The anchor plate is not included with the unit. Use only an chimney certified. The dimensions and positioning of the different air inlet and outlet are available in the table in chapter «dimensions».



AMBIANCE®

FIREPLACES | BBQ | OUTDOORS | SPAS

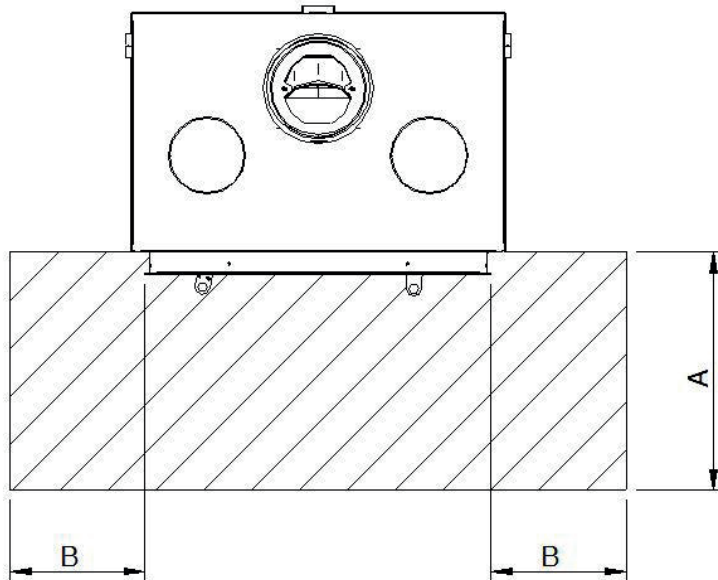
LUXUS® EPA
WOOD SERIES

Model: LUXUS® ZC24, ZC28 (CA)

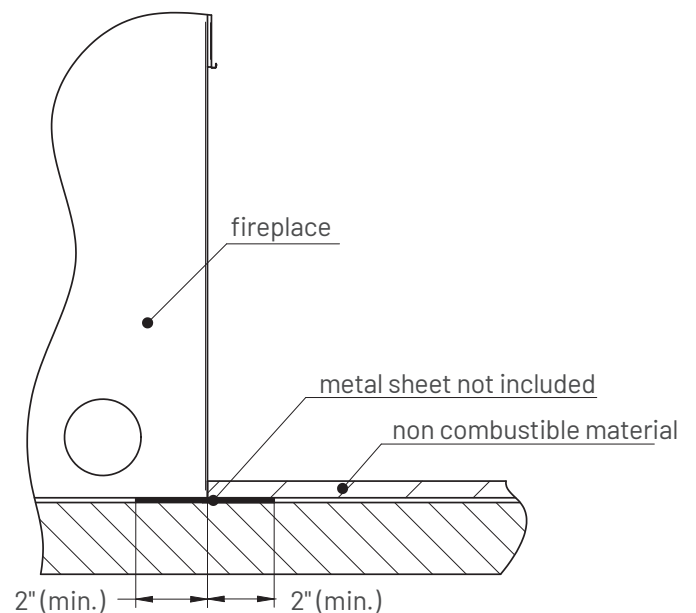
Hearth Requirements & Floor Protection

INSTALL THE HEARTH EXTENSION ONLY AS ILLUSTRATED!

A 18" / 406 mm minimum hearth extension in front of the stove made of non combustible material is required. In front of the unit, the hearth extension must extend 8" on each side. The non combustible material that is used must be CSA-B365 ember protection.



| Hearth Dimensions | |
|-------------------|---------------------|
| A | Canada 18" / 457 mm |
| B | 8" / 203 mm Canada |





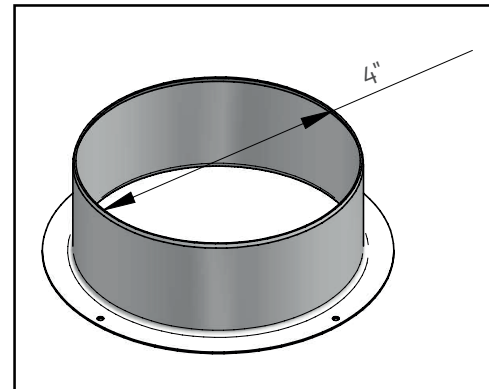
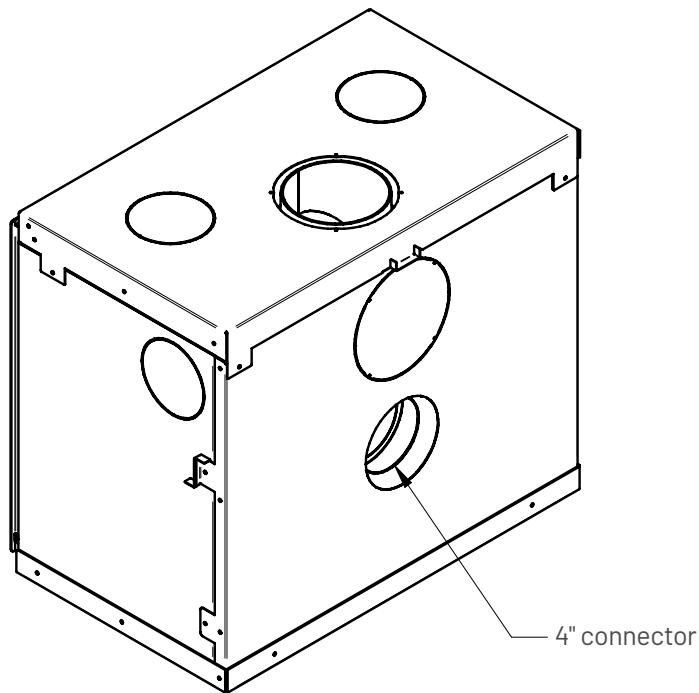
Model: LUXUS® ZC24, ZC28 (CA)

Combustion Air

The ZC Fireplaces LUXUS® ZC24 and ZC28 do require a combustion air outside connection.

To connect the separate combustion air directly to the unit you need to have the right separate combustion air connector Ø 4". Fix the connector directly to the unit.

LUXUS® ZC24 and ZC28 Backside air intake



Grills

The combustion air ducts will be protected at the outside by a grill. The free passage section of those grills is at least equivalent to the section of the air inlet. Please note that the infiltration of water and the effect of the wind can damage the system.



Model: LUXUS® ZC24, ZC28 (CA)

Closure Valve and Combustion Air Intake Requirements

If you decide to connect separate combustion air it is mandatory to install a closure valve to prevent condensation formation and to prevent the room from becoming cold while the stove is not in use. It should ideally be located as close as possible to the outside wall. It can be controlled from inside if it is not too far from the stove (cable length = 47").

It is recommended that the 4" Combustion air intake duct is installed in a correct manner. Please find the following information.

Outside Air- ducts must...

- Be protected on the outside by a grill where the free passage section of this grill is at least equivalent to the section of the air inlet Please note that the infiltration of wind, weather, snow and water can effect or damage the air combustion system.
- Ideally be fitted with a butterfly valve so that it can manually, be used to close the cold air from entering the firebox. Please note that the butterfly valve has to be 100% open or 100% closed and should not be used to adjust bur rate! Try to keep the butterfly valve as close to the outside wall as possible.
- The air-duct should be insulated and the distance from the wood stove to the outside should be as short as possible. For 4" air duct please refer to the maximum lengths and elbows.

Number of 90 degree elbows

4' = 4 elbows

8' = 4 elbows

10' = 2 elbows

12' = 0 elbow

If you exceed these guidelines, you must compensate by using a larger diameter and/or a smoother duct.

Careful not to crush the duct! It should ideally be located as close as possible to the outside wall.

- If it is not possible to bring in combustion air to the wood stove please ensure that there is sufficient air to feed the wood stove in the room - please note that this is not ideal. Please contact your dealer who offers suitable parts for air inlet ducts (pipes and damper).

Make sure that the wire mesh is mounted at the combustion air inlet.





Model: LUXUS® ZC24, ZC28 (CA)

Distance Combustible Mantle

| Floor protection requirements | | |
|---|--------------------------|--------------------------|
| | LUXUS® ZC24 | LUXUS® ZC28 |
| Distance from floor to the bottom of the door glass | 15.25" / 387 mm | 15.25" / 387 mm |
| Hearth extension in front of fuel loading door | 18" / 457 mm | 18" / 457 mm |
| Heart extension to the side of fuel loading door | 8" / 203 mm | 8" / 203 mm |
| Hearth material or R-value for hearth material | Non-combustible material | Non-combustible material |

| Mantle minimum clearances |
|--|
| Distance from top of glass to 12" mantel shelf = 21" |

