



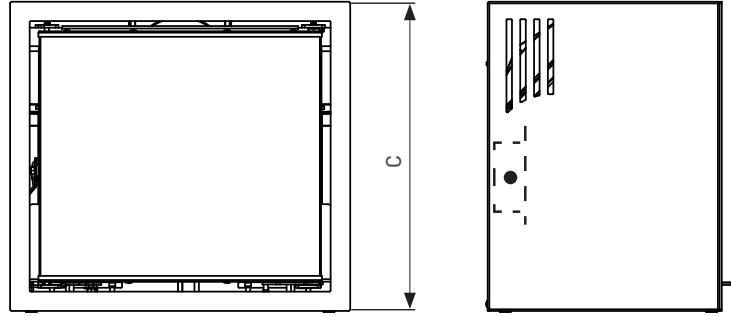
AMBIANCE®

FIREPLACES | BBQ | OUTDOORS | SPAS

**LUXUS® EPA
WOOD SERIES**

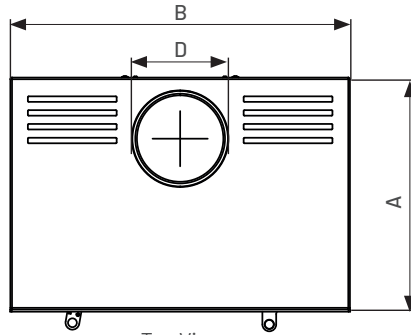
Model: LUXUS® FS24, FS28 (USA)

Overall Dimensions FS24



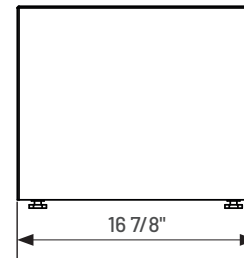
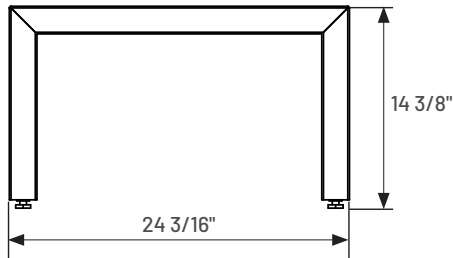
Front View

Side View

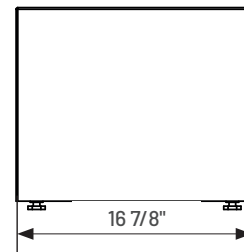
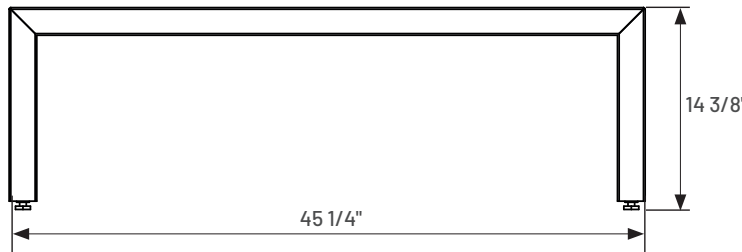


Top View

Base B



Base C



BTU		FIREBOX		EFFICIENCIES			VENTING		
Cordwood	EPA	Cu. Ft	Ideal Log Length	g / hr	Optimal %	HHV	Type	Diameter	Brands
40,000	47,417	1.1	17"	1.67	70.29%	70.29%	Class A	6-inch	All

GLASS			WEIGHT	FIREPLACE DIMENSIONS			BASES DIMENSIONS (B / C)		
Type	Dimensions	Area sq. in.	Lbs	Width (b)	Depth (a)	Height (c)	Width (B / C)	Depth	Height
4 mm Ceramic	20" x 17.063"	341	262	24.188"	17"	22.125"	24.188" / 45.25"	16.875"	14.375"



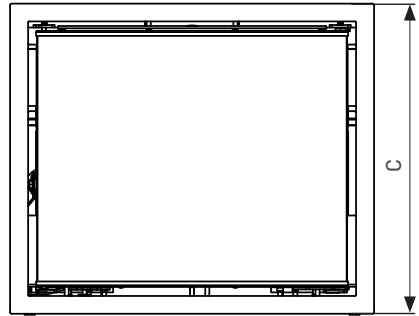
AMBIANCE®

FIREPLACES | BBQ | OUTDOORS | SPAS

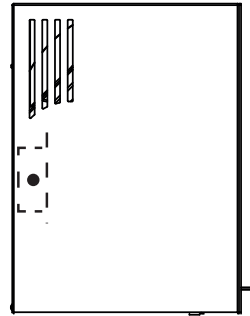
**LUXUS® EPA
WOOD SERIES**

Model: LUXUS® FS24, FS28 (USA)

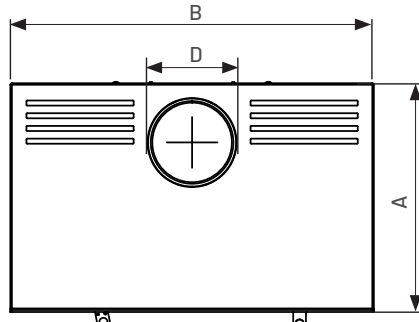
Overall Dimensions FS28



Front View

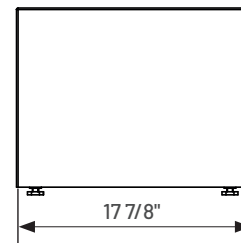
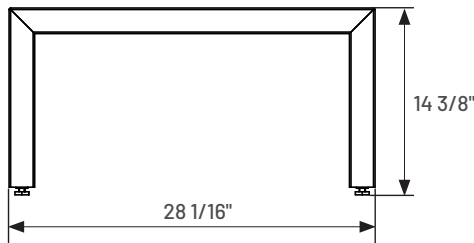


Side View

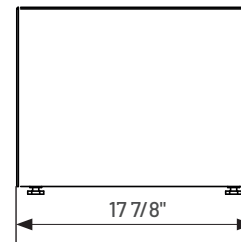
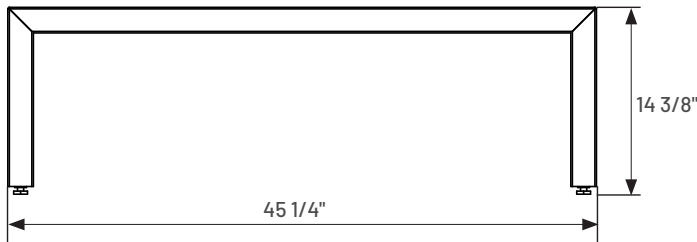


Top View

Base B



Base C



BTU		FIREBOX		EFFICIENCIES			VENTING		
Cordwood	EPA	Cu. Ft	Ideal Log Length	g / hr	Optimal %	HHV	Type	Diameter	Brands
60,000	29,452	1.8	21"	1.14	67%	66.77%	Class A	6-inch	All

GLASS			WEIGHT	FIREPLACE DIMENSIONS			BASES DIMENSIONS (B / C)		
Type	Dimensions	Area sq. in.	Lbs	Width (b)	Depth (a)	Height (c)	Width (B / C)	Depth	Height
4 mm Ceramic	23.938" x 19"	454	334	28.813"	18.5"	25.375"	28.063" / 45.25"	17.875"	14.375"



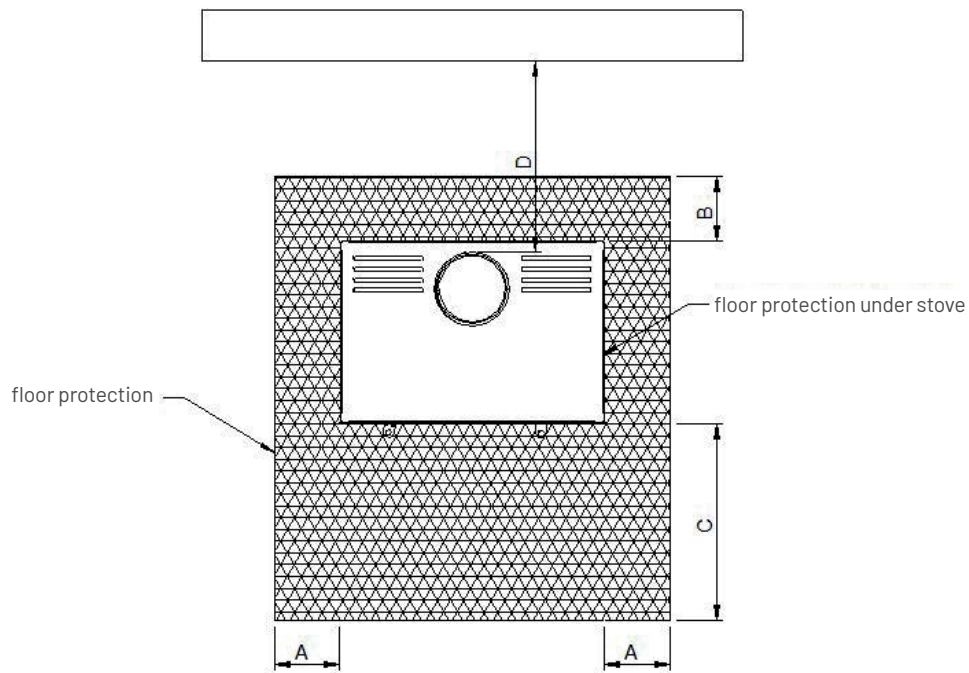
Model: LUXUS® FS24, FS28 (USA)

Hearth Requirements & Floor Protection

INSTALL THE HEARTH EXTENSION ONLY AS ILLUSTRATED!

A 16" / 406 mm for USA, minimum hearth extension in front of the stove made of non combustible material is required. In front of the unit, the hearth extension must extend 8" / 203 mm on each side. Also, there must a hearth extension under the unit, which extend 8" on the rear side. The non combustible material that is used must be UL 1618.

FLOOR PROTECTION TO COMPLY WITH UL 1618.



	Clearances	Description
A	6" / 152 mm USA	each clearances side of unit
B	8" / 203 mm	hearth extension on the rear side
C	16" / 408 mm for USA	hearth extension length
D	single wall pipe = 18" / 475 mm double wall pipe = 8" / 203 mm	back wall to pipe

Caution

Combustion air openings are not to be obstructed.



Model: LUXUS® FS24, FS28 (USA)

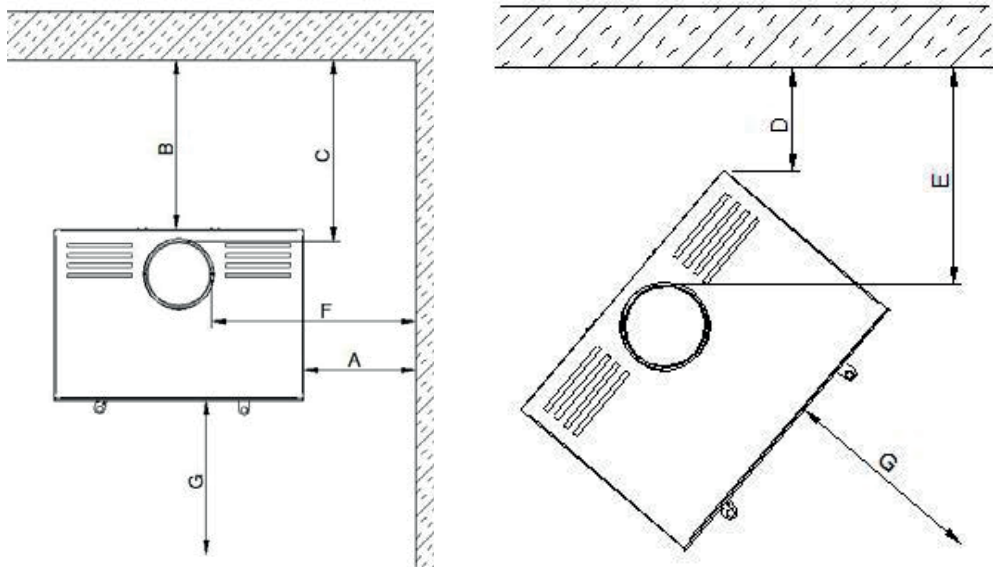
Clearance to Combustibles

Distance to furniture

The recommend minimum distance from stove to furniture is 48 inches. Note that some furniture is more easily affected by heat and may need to be moved to greater distance. This is your responsibility.

In addition, other combustible materials, away from the stove. In general, a distance of 48 inches must be maintained between the stove and moveable combustible item such as drying clothes, newspapers, firewood etc. Failure to meet the required clearances can endanger property and personal safety.

NOTE: Acid Protection If acid-washing the masonry around the stove, protect the stove surface with an acid-proof cover.



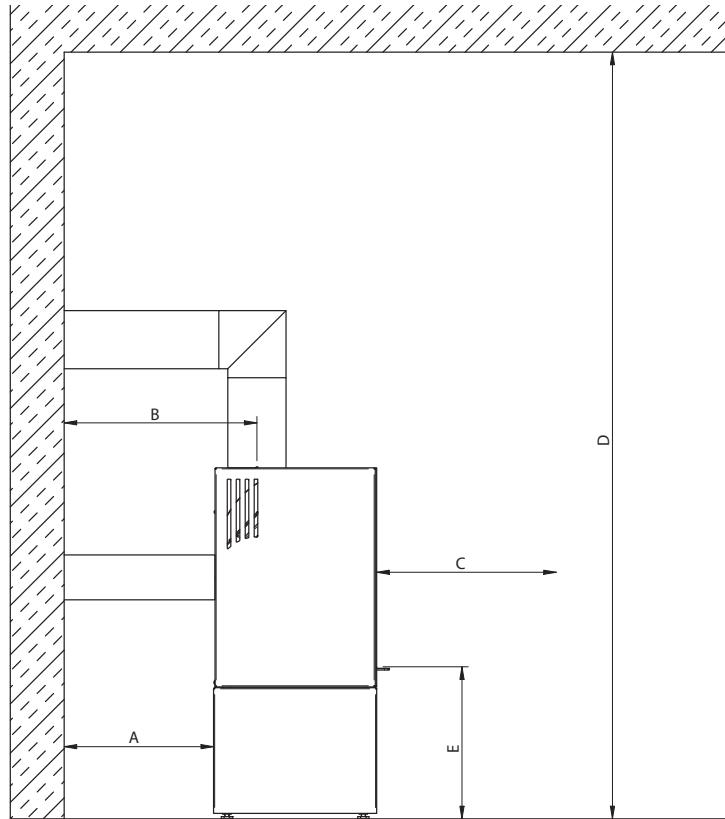
	Single-wall connector pipe	Double-wall connector pipe
A	11" / 279 mm	11" / 279 mm
B	16 1/2" / 419 mm	6 1/4" / 158,8 mm
C	18" / 457 mm	8" / 203 mm
D	8" / 203 mm	8" / 203 mm
E	21" / 533 mm	21" / 522 mm
F	22" / 559 mm	21 3/4" / 553 mm
G	48" / 1219 mm	48" / 1219 mm

The floor in front of the wood stove requires thermal protection. This protection must be non-combustible. Also this floor protector must be listed to UL 1618 ember protection. Do NOT install in a mobile home.



Model: LUXUS® FS24, FS28 (USA)

Clearance to Combustibles



Important: Unit cannot use small base A on non combustible material - must be 9 1/2" off the floor from bottom of glass or 6 1/2" with r value 2.957(USA).

	clearance with single wall pipe	clearance with double wall pipe
A - backwall to unit	21" / 522 mm	11" / 279 mm
B - backwall to centre of the pipe	21" / 533.40 mm	11" / 279.40 mm to center of the pipe, 8" to edge of the pipe
C - front wall / furniture	48" / 1219 mm	48" / 1219 mm
D - ceiling or alcove to bottom	84" / 2134 mm	84" / 2134 mm
E - floor to bottom of glass	9 1/2" / 241 mm 6 1/2" - with r value 2,957(USA)	9 1/2" / 241 mm 6 1/2" - with R value 2,957(USA)



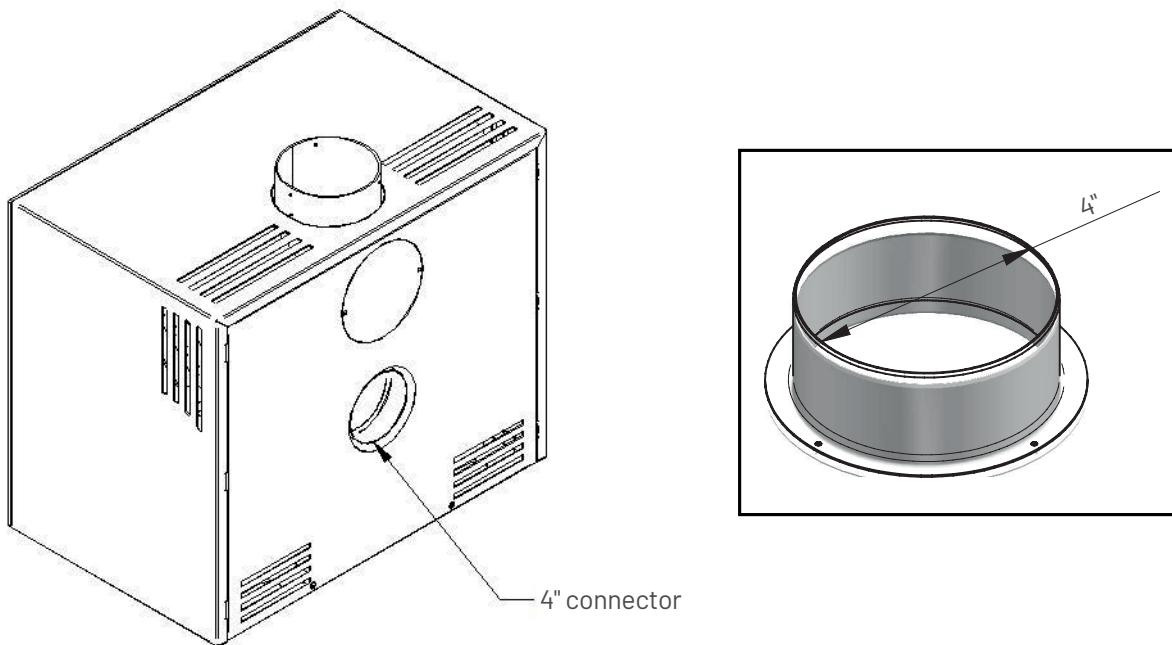
Model: LUXUS® FS24, FS28 (USA)

Combustion Air

When mounting the air system ensure that the air control system provides fresh air from the outside. In order for the air system to function, you have to ensure in the structure that no vacuum occurs in the housing. If convection grates are installed, be sure not to block them. Air system (accessory) is connected to the bottom of the stove.

To connect the separate combustion air directly to the unit you need to have the right separate combustion air connector $\varnothing 4"$. Fix the connector directly to the unit. It can be oriented to the left side, right side or to the back.

LUXUS® FS24 and FS28 Backside air intake



Grills

The combustion air ducts will be protected at the outside by a grill. The free passage section of those grills is at least equivalent to the section of the air inlet. Please note that the infiltration of water and the effect of the wind can damage the system.



Model: LUXUS® FS24, FS28 (USA)

Closure Valve and Combustion Air Intake Requirements

If you decide to connect separate combustion air it is mandatory to install a closure valve to prevent condensation formation and to prevent the room from becoming cold while the stove is not in use. It should ideally be located as close as possible to the outside wall. It can be controlled from inside if it is not too far from the stove (cable length = 47").

It is recommended that the 4" Combustion air intake duct is installed in a correct manner. Please find the following information.

Outside Air- ducts must...

- Be protected on the outside by a grill where the free passage section of this grill is at least equivalent to the section of the air inlet. Please note that the infiltration of wind, weather, snow and water can effect or damage the air combustion system.
- Ideally be fitted with a butterfly valve so that it can manually, be used to close the cold air from entering the firebox. Please note that the butterfly valve has to be 100% open or 100% closed and should not be used to adjust bur rate! Try to keep the butterfly valve as close to the outside wall as possible.
- The air-duct should be insulated and the distance from the wood stove to the outside should be as short as possible. For 4" air duct please refer to the maximum lengths and elbows .

Number of 90 degree elbows

4' = 4 elbows

8' = 4 elbows

10' = 2 elbows

12' = 0 elbow

If you exceed these guidelines, you must compensate by using a larger diameter and/or a smoother duct.

Careful not to crush the duct! It should ideally be located as close as possible to the outside wall.

- If it is not possible to bring in combustion air to the wood stove please ensure that there is sufficient air to feed the wood stove in the room - please note that this is not ideal. Please contact your dealer who offers suitable parts for air inlet ducts (pipes and damper).

Make sure that the wire mesh is mounted at the combustion air inlet.

