



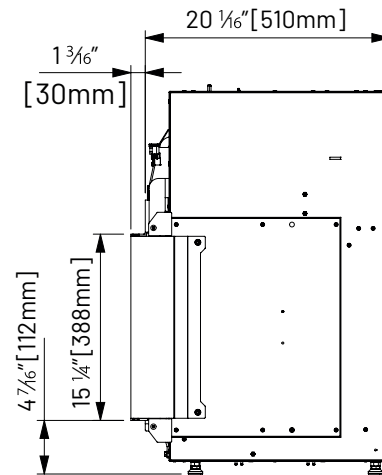
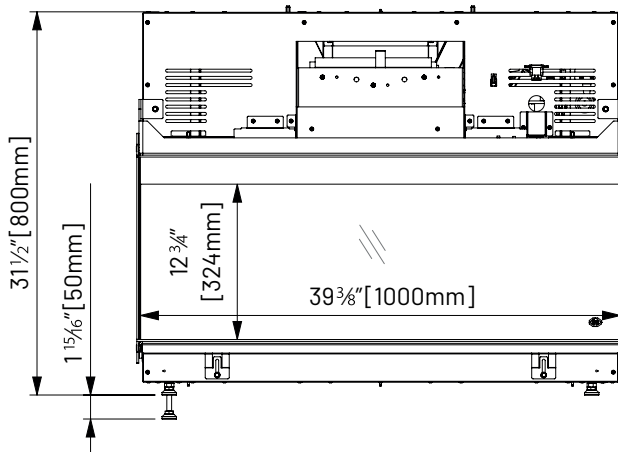
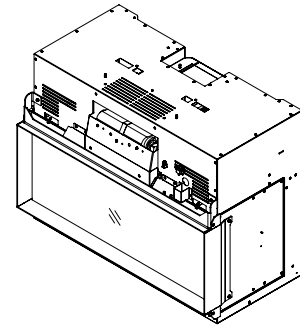
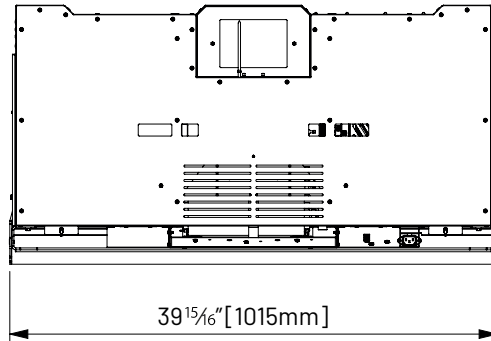
**AMBIANCE®**

FIREPLACES | BBQ | OUTDOORS | SPAS

**LUXUS®**  
ELECTRIC COLLECTION

Models: LUXUS® e40, LUXUS® e60 Front Version

Overall Dimensions LUXUS® e40 Front Version



## Specifications

ENERGY			ENERGY CONSUMPTION		FLAME TECHNOLOGY		HEATING CAPACITY
Volts	Amps	Watts	Heater On	Heater Off	Lamps	Rotor Motor	Heating Area sq ft
120 V / 240 V	11.25	1350 W	High 1350 W / Low 625 W	100 W	LED	2.14 W (Standby mode) 15 W (Speaker)	400 Sq. Ft.

GLASS			DIMENSIONS			BLOWER	
Type	Disposition	Area sq in	Height	Depth	Width	Speed	CFM
Ceramic	Front	502 Sq. In.	31.5"	21.25"	39.94"	Single	50



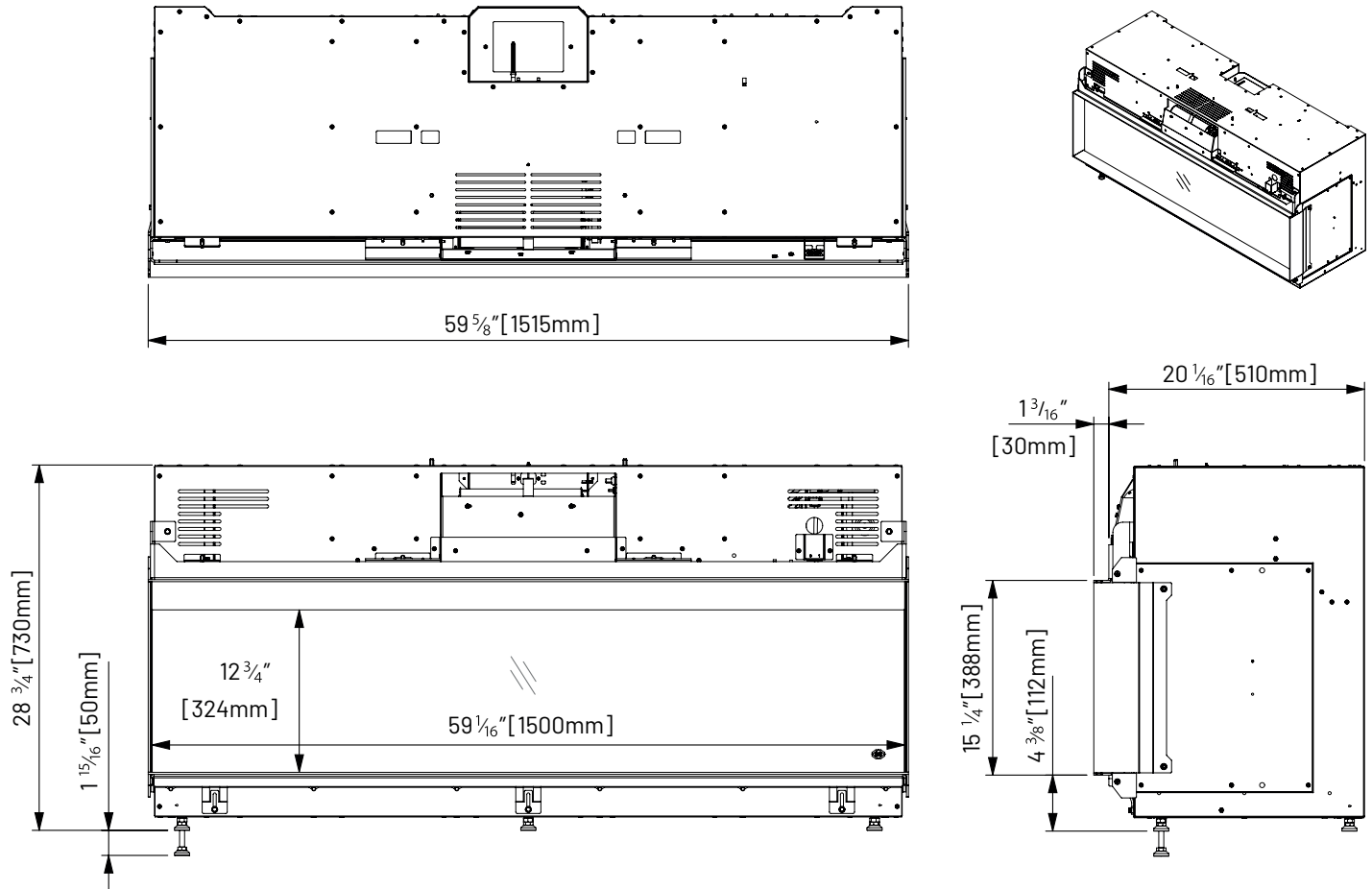
**AMBIANCE®**

FIREPLACES | BBQ | OUTDOORS | SPAS

**LUXUS®**  
ELECTRIC COLLECTION

Models: LUXUS® e40, LUXUS® e60 Front Version

Overall Dimensions LUXUS® e60 Front Version



## Specifications

ENERGY			ENERGY CONSUMPTION		FLAME TECHNOLOGY		HEATING CAPACITY
Volts	Amps	Watts	Heater On	Heater Off	Lamps	Rotor Motor	Heating Area sq ft
120 V / 240 V	11.25	1350 W	High 1350 W / Low 625 W	100 W	LED	2.14 W (Standby mode) 15 W (Speaker)	400 Sq. Ft.

GLASS			DIMENSIONS			BLOWER	
Type	Disposition	Area sq in	Height	Depth	Width	Speed	CFM
Ceramic	Front	753 Sq. In.	31.5"	21.25"	59.63"	Single	50



## Models: LUXUS® e40, LUXUS® e60 Front Version

### Framing LUXUS® e40 Front Version

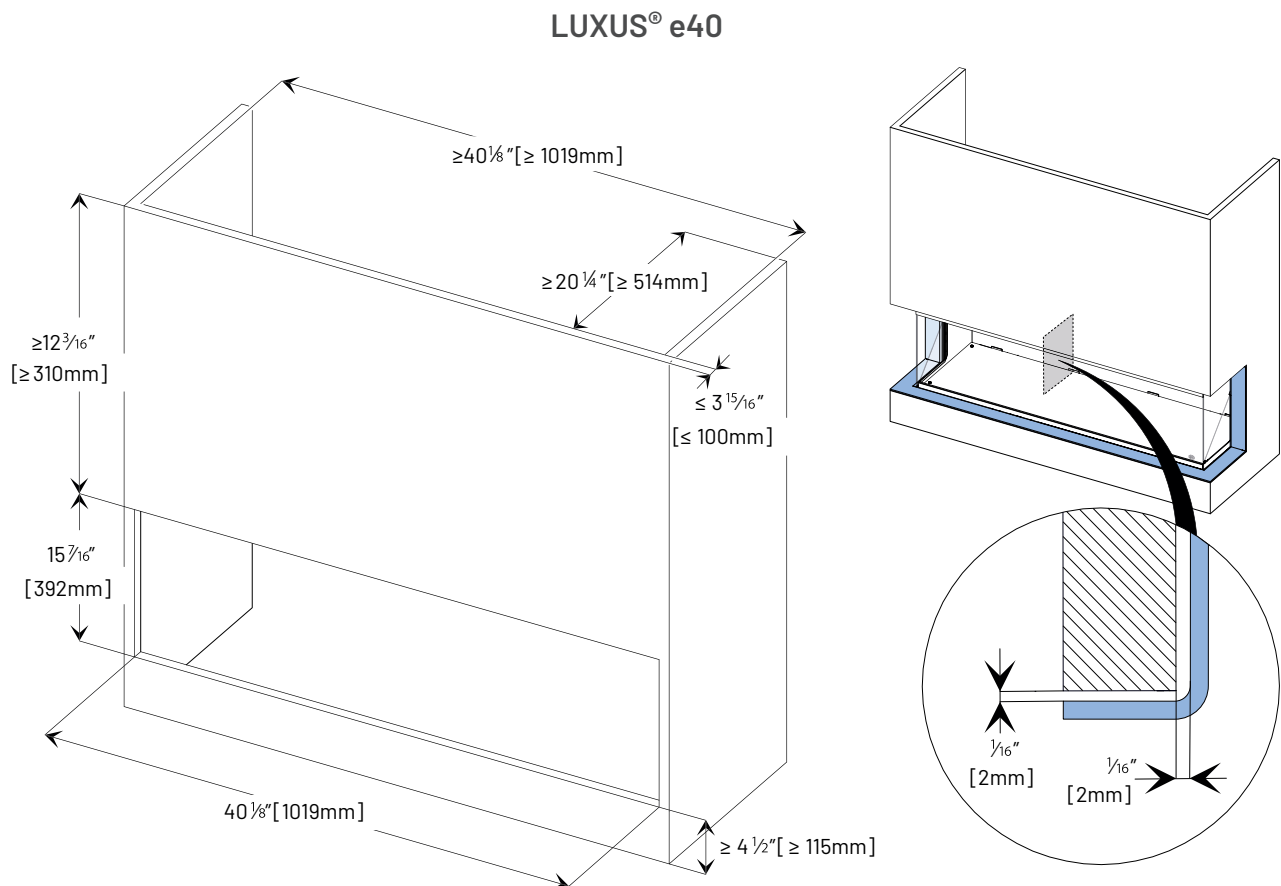
#### Placing the Appliance

Separate sections describe different ways of placing the appliance. The general description below for placing the appliance applies to all these sections:

#### WARNING

Place the appliance at the location where it will be installed and take the following into account:

- The construction dimensions of the appliance.
- The minimum chimney breast dimensions.
- An electrical connection available in accordance with regulations
- No combustible objects or materials are placed directly in front of the appliance, where the surface temperatures can reach up to 212°F [100°C].
- No combustible objects or materials are placed within the full radiation range, where the surface temperatures can reach up to 185°F [85°C]
- The appliance is placed in such a way that a fire hazardous situation can **NEVER** occur.
- A stable arrangement has been achieved for the appliance to be installed.
- The appliance **MUST ALWAYS** be placed on the adjustable feet.





## Models: LUXUS® e40, LUXUS® e60 Front Version

### Framing LUXUS® e60 Front Version

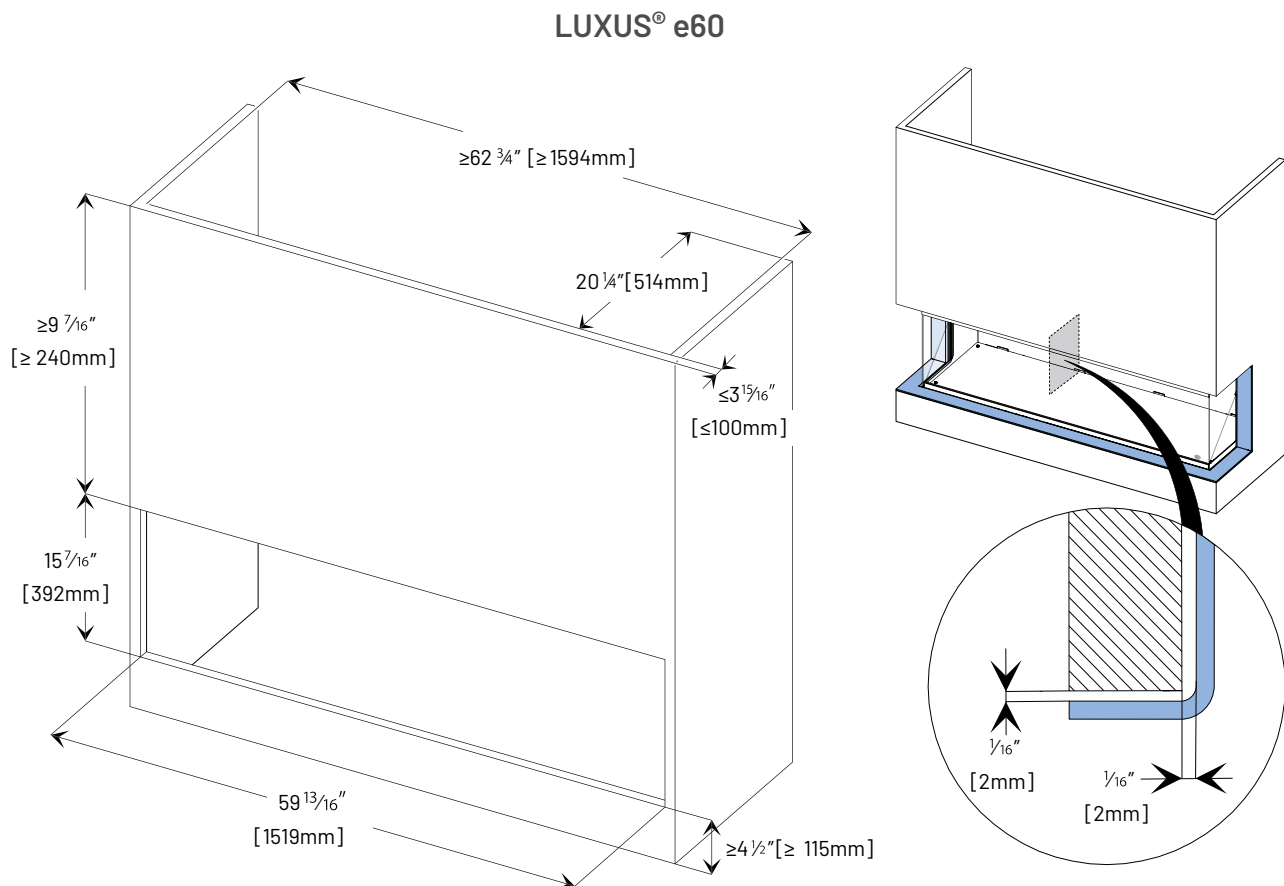
#### Placing the Appliance

Separate sections describe different ways of placing the appliance. The general description below for placing the appliance applies to all these sections:

#### WARNING

Place the appliance at the location where it will be installed and take the following into account:

- The construction dimensions of the appliance.
- The minimum chimney breast dimensions.
- An electrical connection available in accordance with regulations
- No combustible objects or materials are placed directly in front of the appliance, where the surface temperatures can reach up to 212°F [100°C].
- No combustible objects or materials are placed within the full radiation range, where the surface temperatures can reach up to 185°F [85°C]
- The appliance is placed in such a way that a fire hazardous situation can NEVER occur.
- A stable arrangement has been achieved for the appliance to be installed.
- The appliance MUST ALWAYS be placed on the adjustable feet.





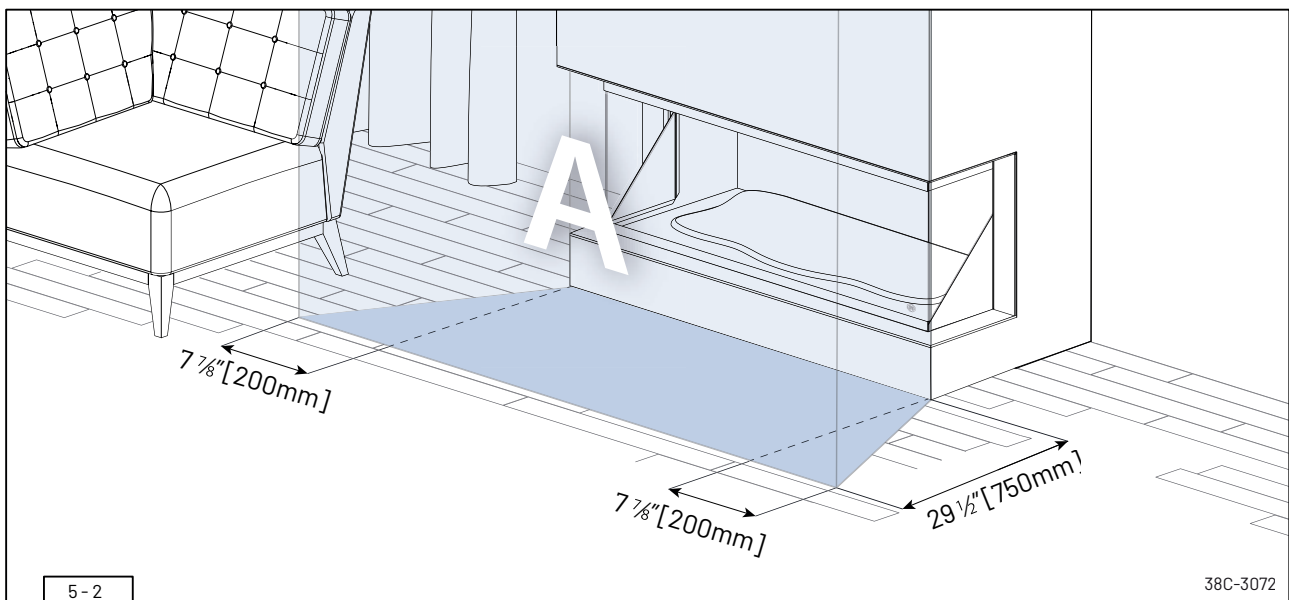
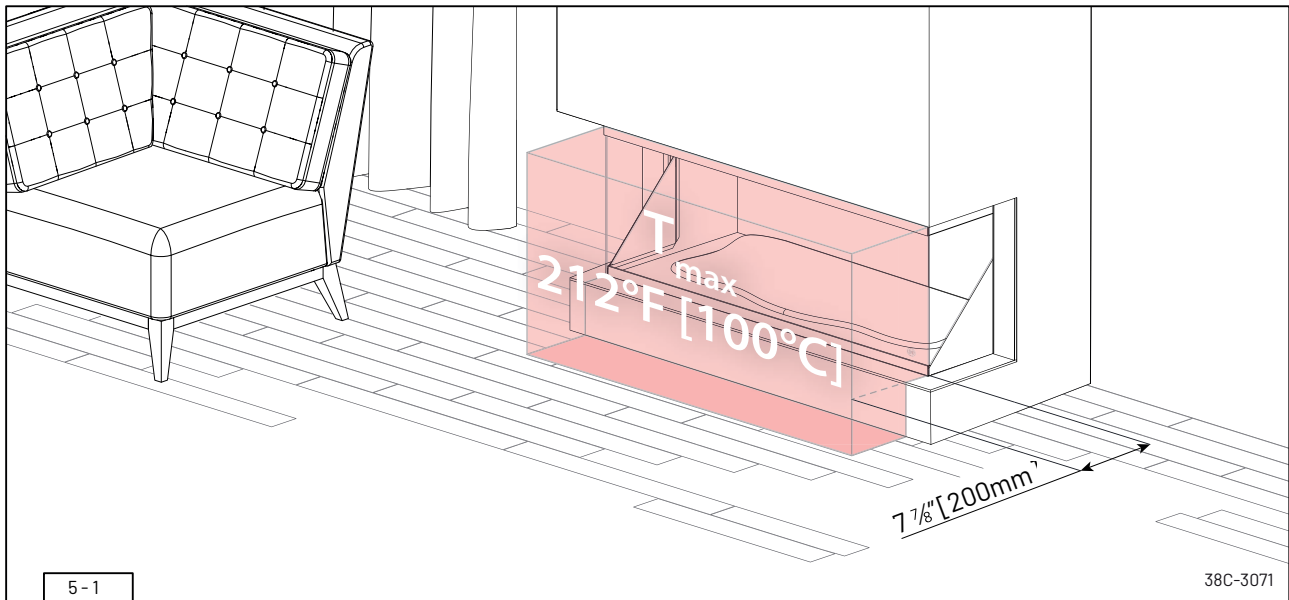
AMBIANCE®

FIREPLACES | BBQ | OUTDOORS | SPAS

LUXUS®  
ELECTRIC COLLECTION

Models: LUXUS® e40, LUXUS® e60 Front Version

Clearances





### Models: LUXUS® e40, LUXUS® e60 Front Version

#### Placing the chimney breast LUXUS® e40 Front Version

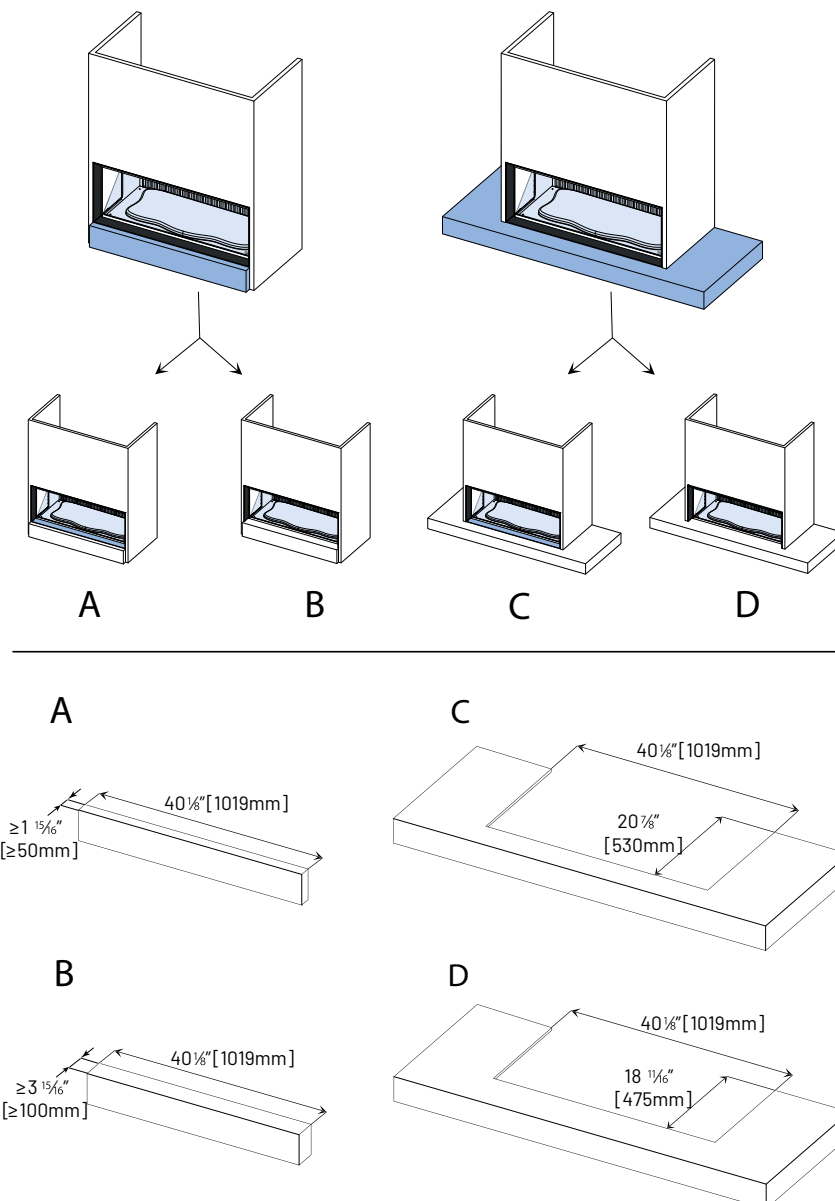
Follow the instructions and warnings below for the construction of the chimney breast:

#### WARNING

- (Structural) materials that are directly in front of the appliance must be able to resist temperatures of at least 212°F [100°C], while materials located to the sides of the appliance must be able to resist temperatures of at least 185°F [85°C].
- The appliance must **ALWAYS** be built in by means of a chimney breast.
- The appliance can **NEVER** function as a load bearing element.

#### NOTICE

- To prevent cracks, **DO NOT USE** the heater for at least 6 weeks when stone-like materials and/or plaster finishing has been used in the construction/finishing of the chimney breast.





### Models: LUXUS® e40, LUXUS® e60 Front Version

#### Placing the chimney breast LUXUS® e60 Front Version

Follow the instructions and warnings below for the construction of the chimney breast:

#### WARNING

- (Structural) materials that are directly in front of the appliance must be able to resist temperatures of at least 212°F [100°C], while materials located to the sides of the appliance must be able to resist temperatures of at least 185°F [85°C].
- The appliance must **ALWAYS** be built in by means of a chimney breast.
- The appliance can **NEVER** function as a load bearing element.

#### NOTICE

- To prevent cracks, **DO NOT USE** the heater for at least 6 weeks when stone-like materials and/or plaster finishing has been used in the construction/finishing of the chimney breast.

