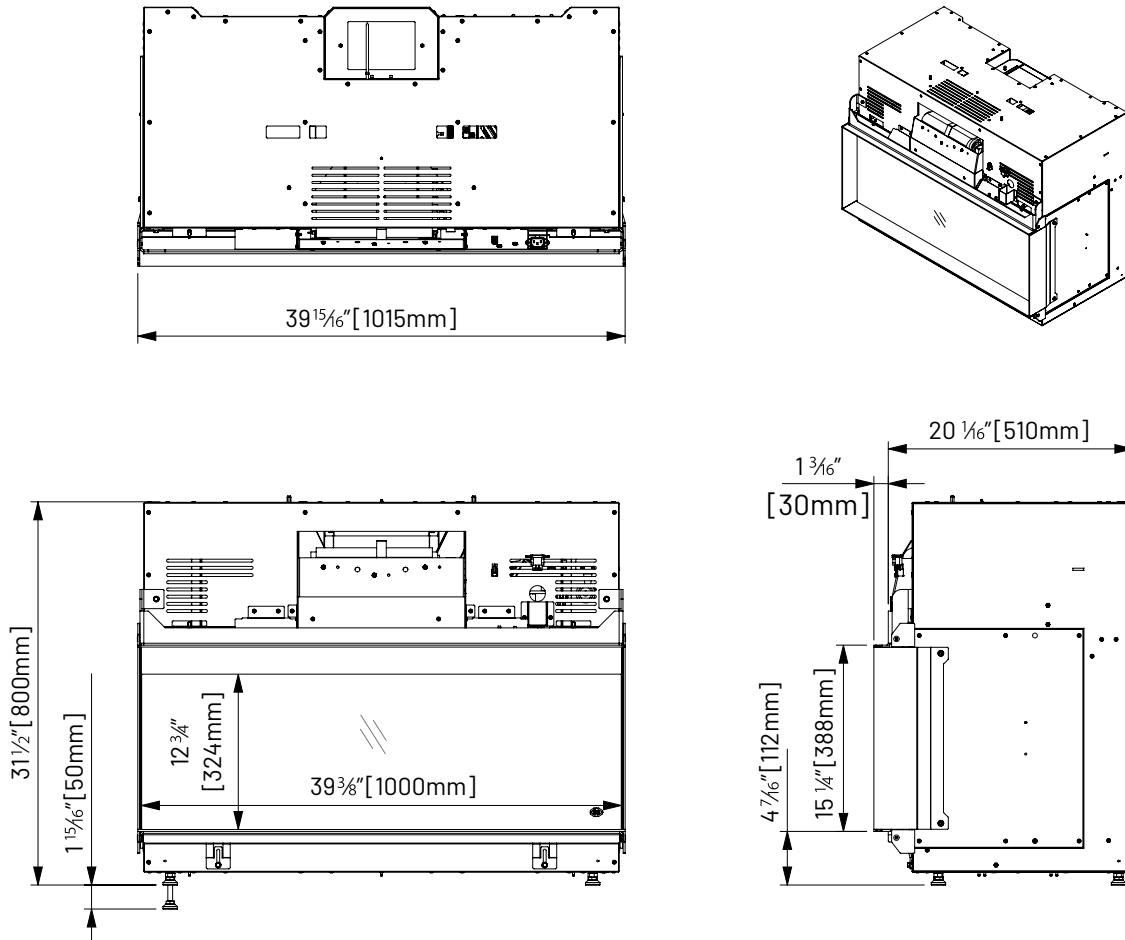




Models: LUXUS® e40, e50, e60 and e70 Front Version

Overall Dimensions LUXUS® e40 Front Version



Specifications

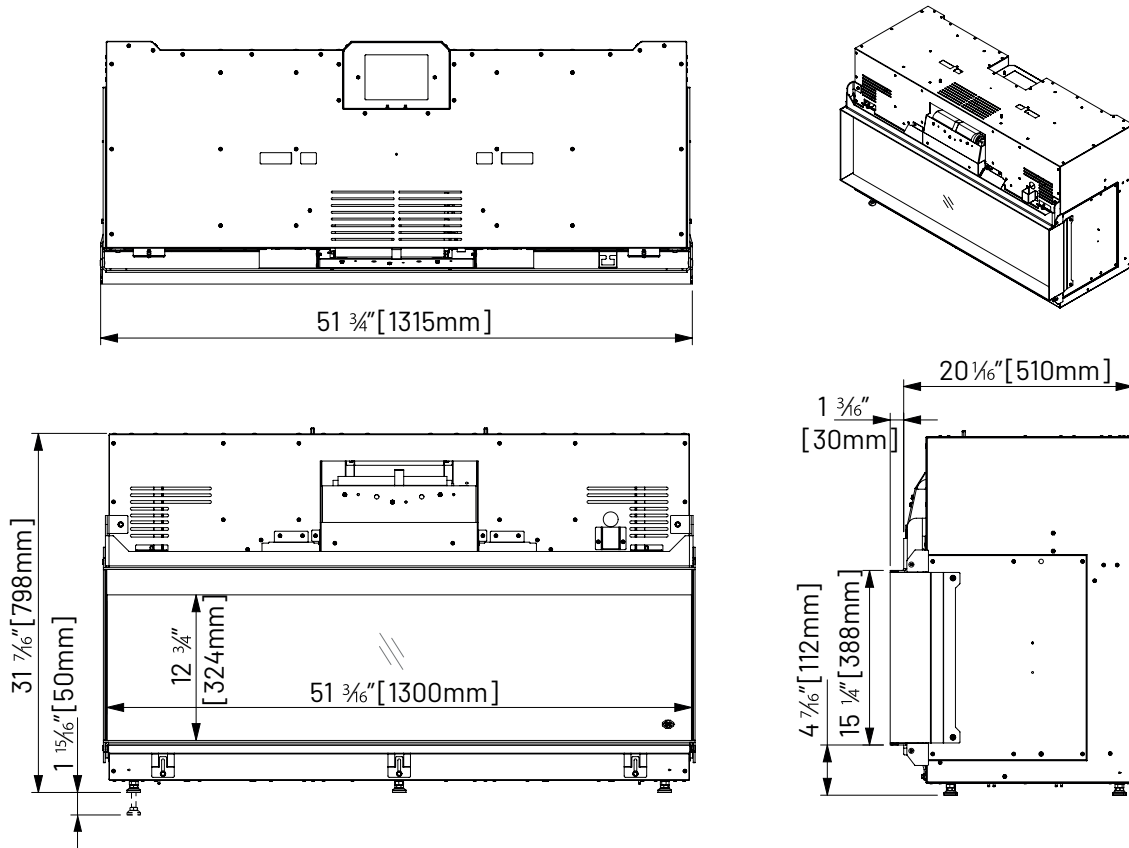
ENERGY			ENERGY CONSUMPTION		FLAME TECHNOLOGY		HEATING CAPACITY
Volts	Amps	Watts	Heater On	Heater Off	Lamps	Rotor Motor	Heating Area sq ft
120 V / 240 V	11.25	1350 W	High 1350 W / Low 625 W	100 W	LED	2.14 W (Standby mode) 15 W (Speaker)	400 Sq. Ft.

GLASS			DIMENSIONS			BLOWER	
Type	Disposition	Area sq in	Height	Depth	Width	Speed	CFM
Ceramic	Front	502 Sq. In.	31.5"	21.25"	39.94"	Single	50



Models: LUXUS® e40, e50, e60 and e70 Front Version

Overall Dimensions LUXUS® e50 Front Version



Specifications

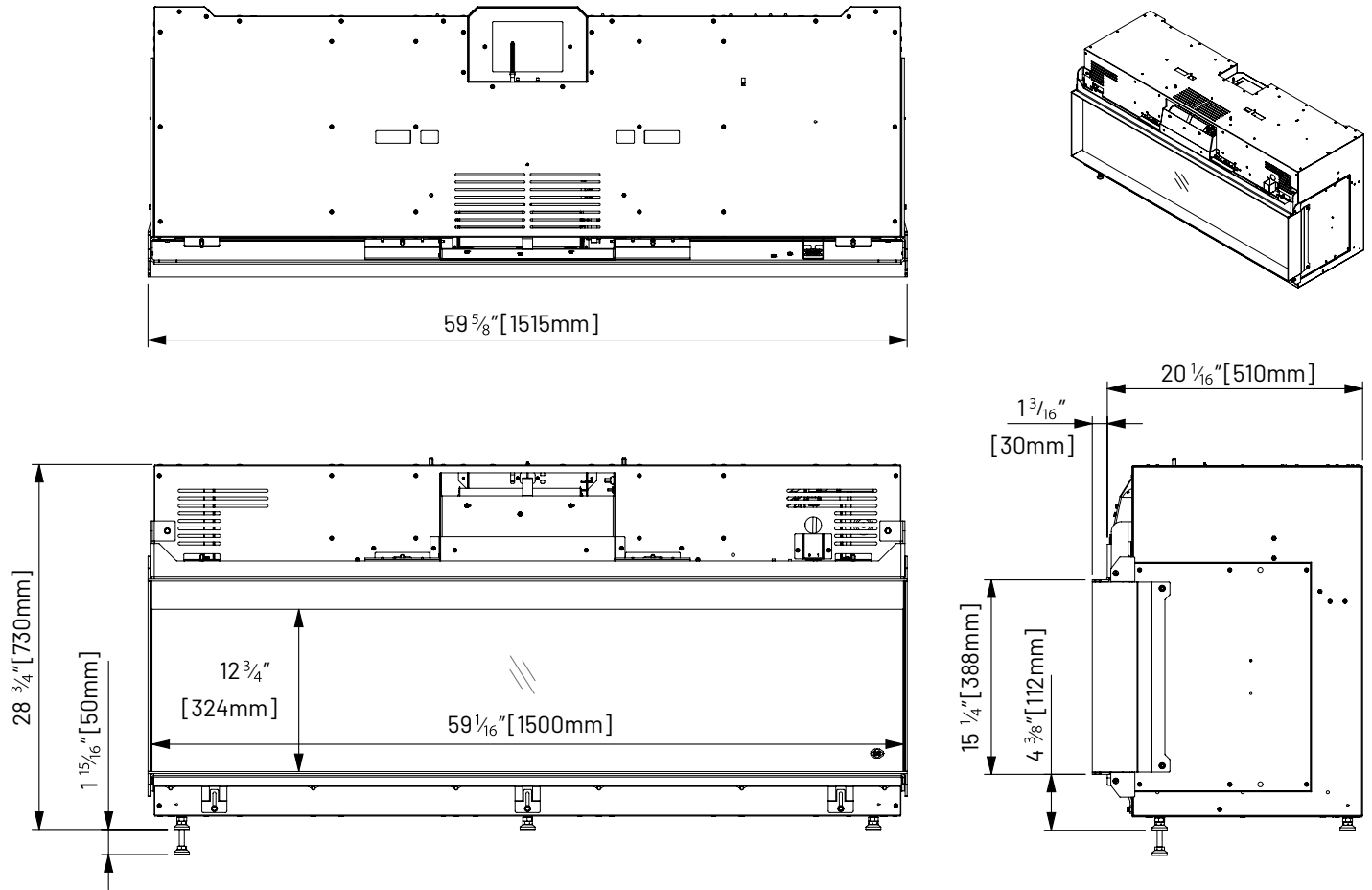
ENERGY			ENERGY CONSUMPTION			FLAME TECHNOLOGY		HEATING CAPACITY
Volts	Amps	Watts	Heater On	Heater Off	Lamps	Rotor Motor		Heating Area sq ft
120 V / 240 V	11.25	1350 W	High 1350 W / Low 625 W	100 W	LED	2.14 W (Standby mode) 15 W (Speaker)		400 Sq. Ft.

GLASS			DIMENSIONS			BLOWER	
Type	Disposition	Area sq in	Height	Depth	Width	Speed	CFM
Ceramic	Front / Corner / Bay	653 / 753 / 853 Sq. In.	31.5"	21.25"	51.75"	Single	50



Models: LUXUS® e40, e50, e60 and e70 Front Version

Overall Dimensions LUXUS® e60 Front Version



Specifications

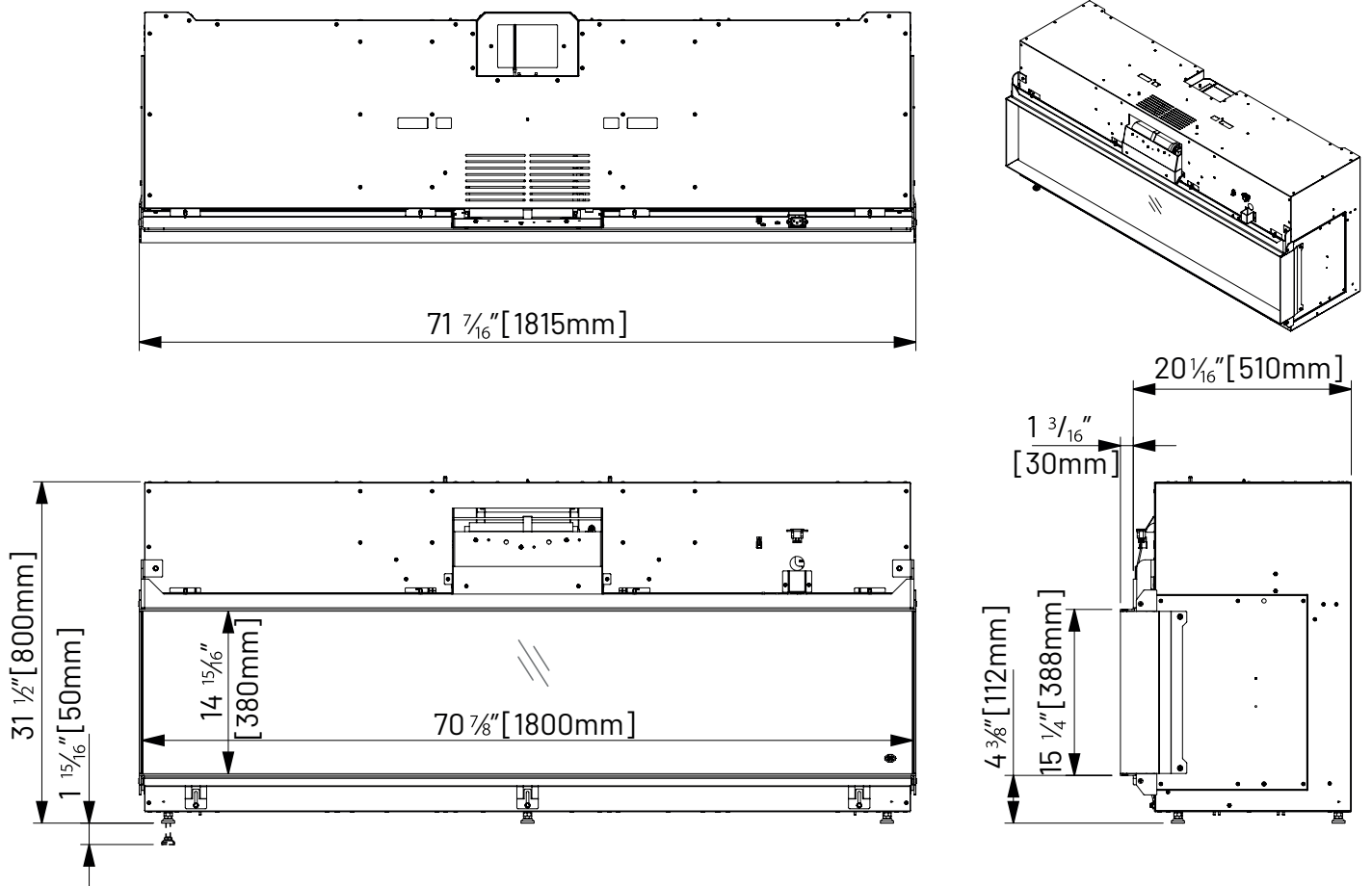
ENERGY			ENERGY CONSUMPTION		FLAME TECHNOLOGY		HEATING CAPACITY
Volts	Amps	Watts	Heater On	Heater Off	Lamps	Rotor Motor	Heating Area sq ft
120 V / 240 V	11.25	1350 W	High 1350 W / Low 625 W	100 W	LED	2.14 W (Standby mode) 15 W (Speaker)	400 Sq. Ft.

GLASS			DIMENSIONS			BLOWER	
Type	Disposition	Area sq in	Height	Depth	Width	Speed	CFM
Ceramic	Front	753 Sq. In.	31.5"	21.25"	59.63"	Single	50



Models: LUXUS® e40, e50, e60 and e70 Front Version

Overall Dimensions LUXUS® e70 Front Version



Specifications

ENERGY			ENERGY CONSUMPTION			FLAME TECHNOLOGY		HEATING CAPACITY
Volts	Amps	Watts	Heater On	Heater Off	Lamps	Rotor Motor		Heating Area sq ft
120 V / 240 V	11.25	1350 W	High 1350 W / Low 625 W	100 W	LED	2.14 W (Standby mode) 15 W (Speaker)		400 Sq. Ft.

GLASS			DIMENSIONS				BLOWER	
Type	Disposition	Area sq in	Height	Depth	Width	Speed	CFM	
Ceramic	Front	1065	31.5"	21.25"	71.44"	Single	50	



Models: LUXUS® e40, e50, e60 and e70 Front Version

Framing LUXUS® e40 Front Version

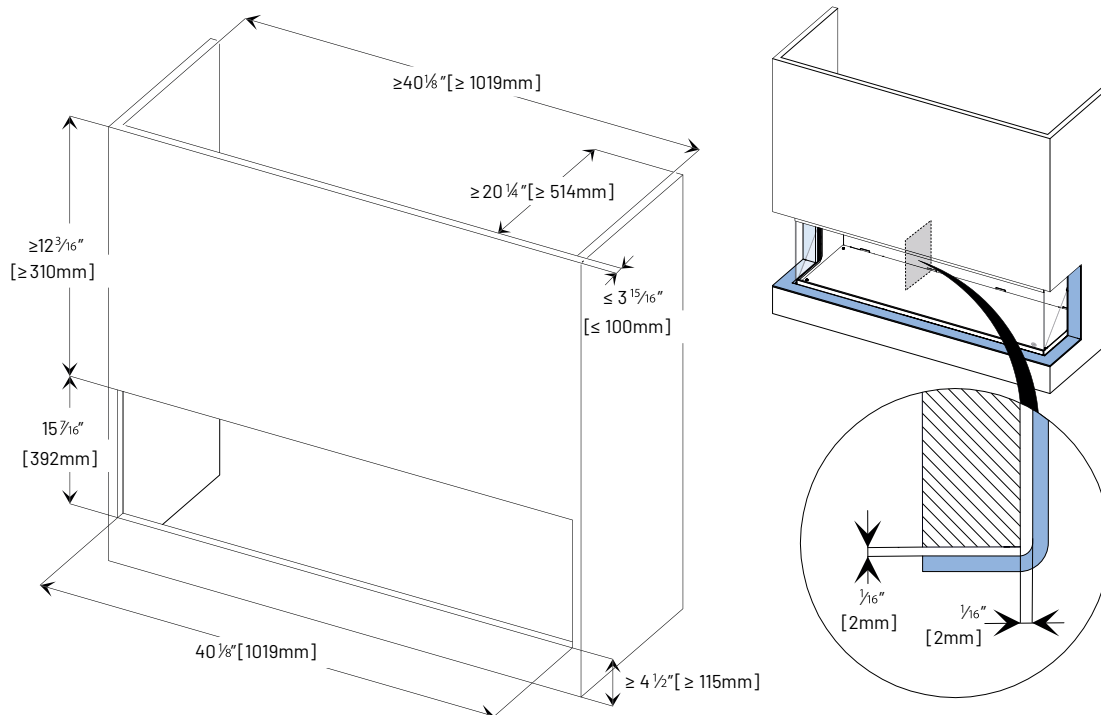
Placing the Appliance

Separate sections describe different ways of placing the appliance. The general description below for placing the appliance applies to all these sections:

WARNING

Place the appliance at the location where it will be installed and take the following into account:

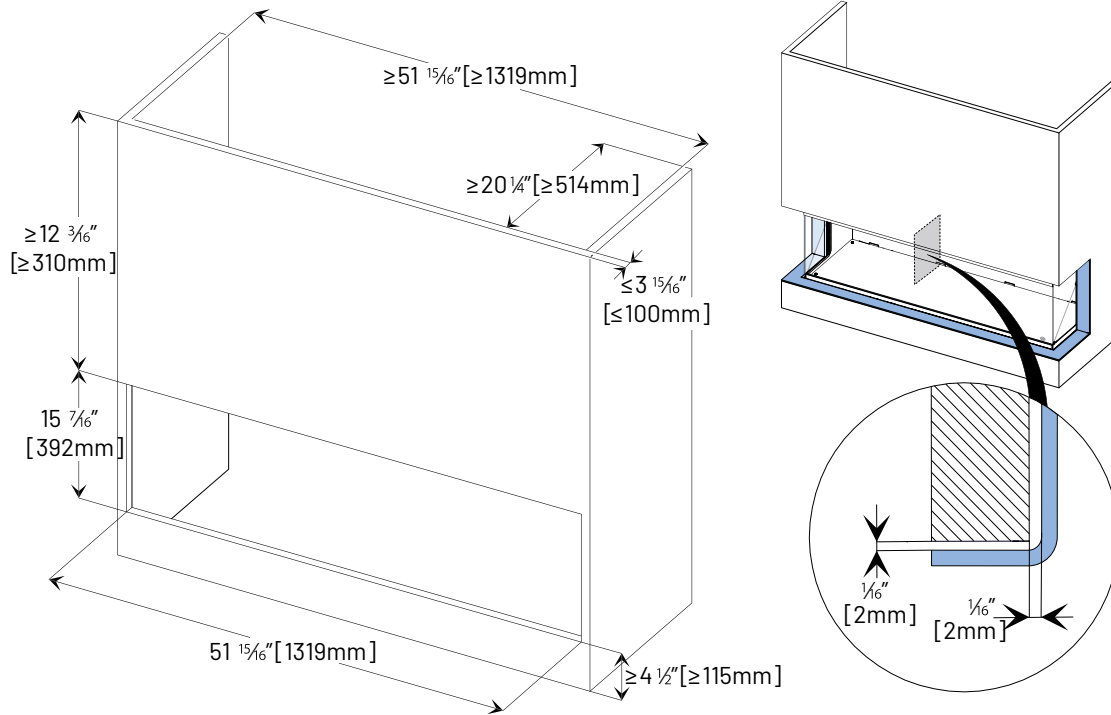
- The construction dimensions of the appliance.
- The minimum chimney breast dimensions.
- An electrical connection available in accordance with regulations
- No combustible objects or materials are placed directly in front of the appliance, where the surface temperatures can reach up to 212°F [100°C].
- No combustible objects or materials are placed within the full radiation range, where the surface temperatures can reach up to 185°F [85°C]
- The appliance is placed in such a way that a fire hazardous situation can **NEVER** occur.
- A stable arrangement has been achieved for the appliance to be installed.
- The appliance **MUST ALWAYS** be placed on the adjustable feet.



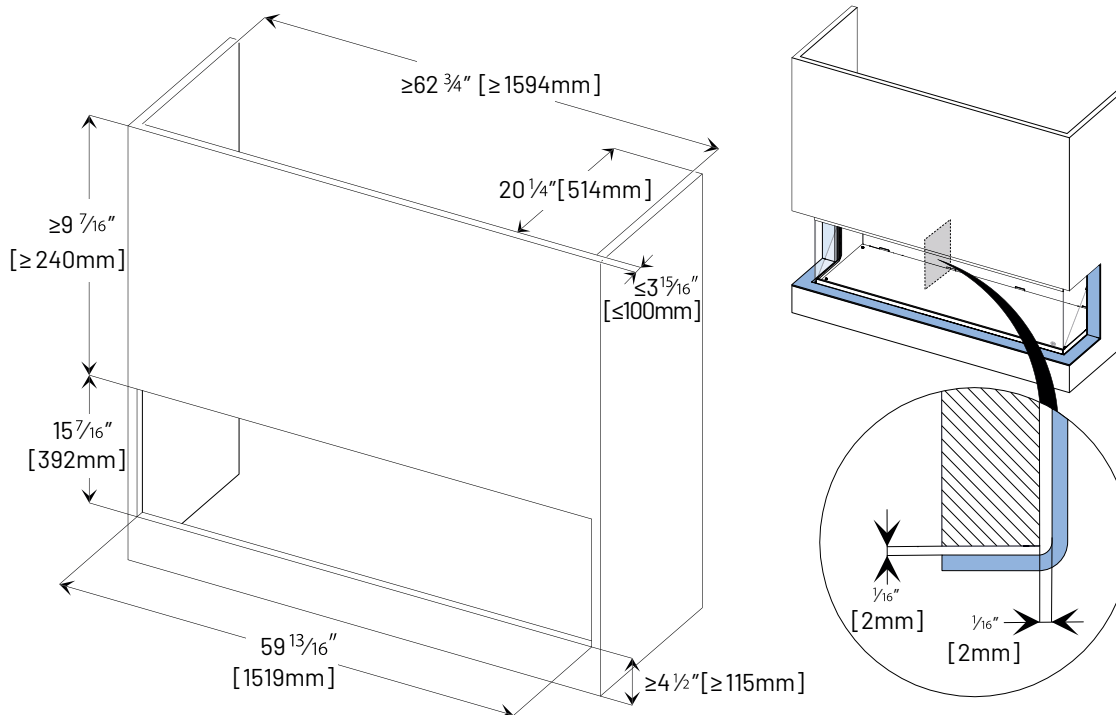


Models: LUXUS® e40, e50, e60 and e70 Front Version

Framing LUXUS® e50 Front Version



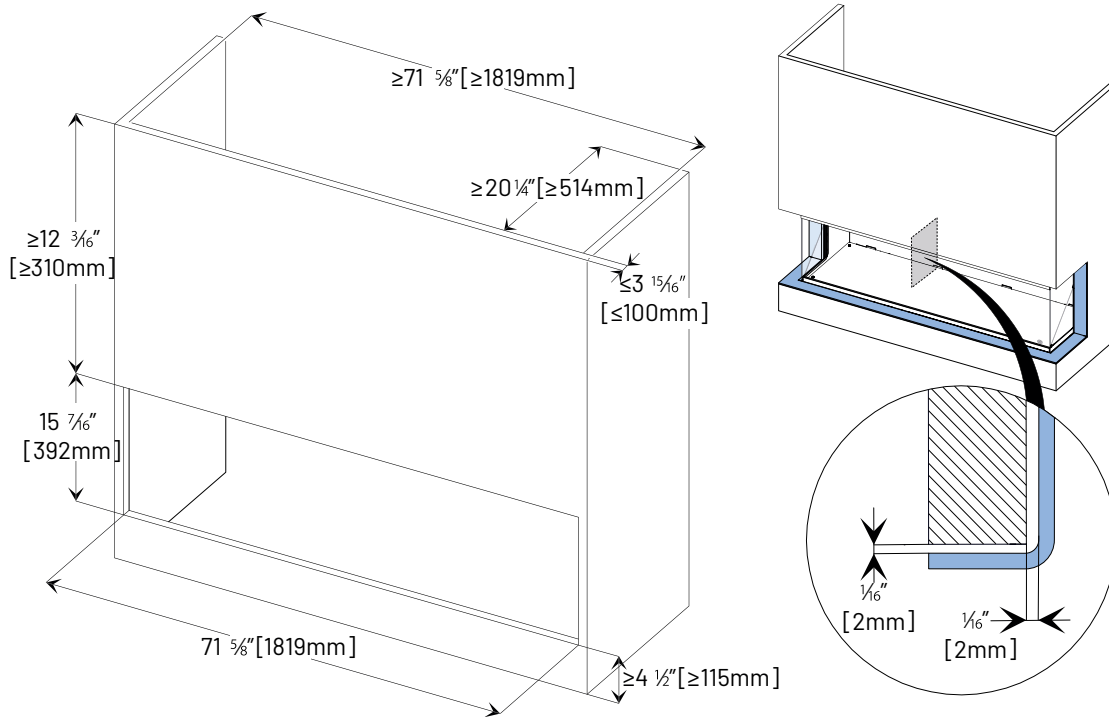
Framing LUXUS® e60 Front Version



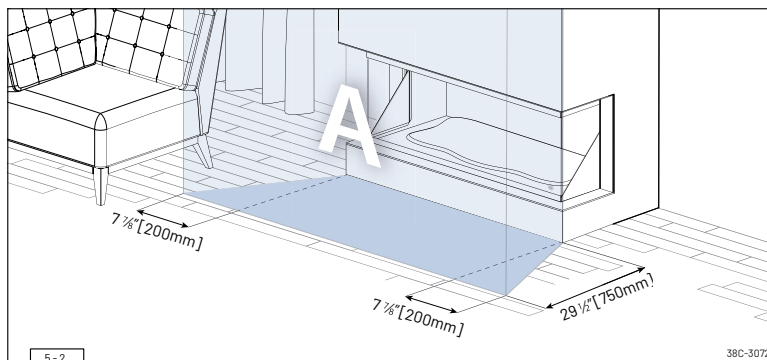
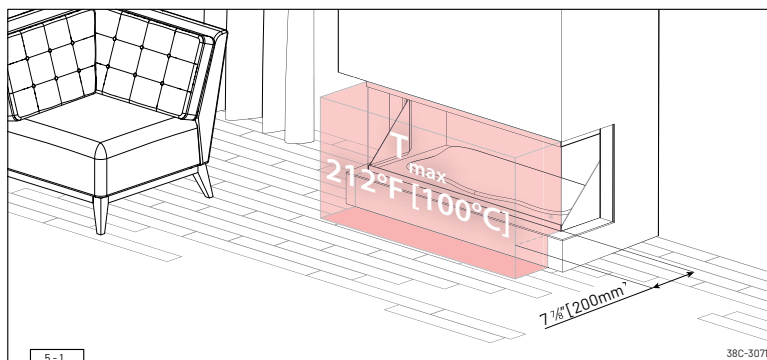


Models: LUXUS® e40, e50, e60 and e70 Front Version

Framing LUXUS® e70 Front Version



Clearances





AMBIANCE®

FIREPLACES | BBQ | OUTDOORS | SPAS

LUXUS®
ELECTRIC COLLECTION

Models: LUXUS® e40, e50, e60 and e70 Front Version

Placing the chimney breast LUXUS® Front Version

Follow the instructions and warnings below for the construction of the chimney breast:

WARNING

- (Structural) materials that are directly in front of the appliance must be able to resist temperatures of at least 212°F [100°C], while materials located to the sides of the appliance must be able to resist temperatures of at least 185°F [85°C].
- The appliance must **ALWAYS** be built in by means of a chimney breast.
- The appliance can **NEVER** function as a load bearing element.

NOTICE

- To prevent cracks, **DO NOT USE** the heater for at least 6 weeks when stone-like materials and/or plaster finishing has been used in the construction/finishing of the chimney breast.

THE ILLUSTRATIONS FOR THESE INSTRUCTIONS ARE ON THE FOLLOWING PAGES.



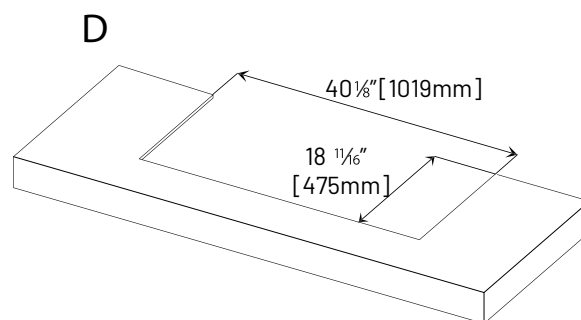
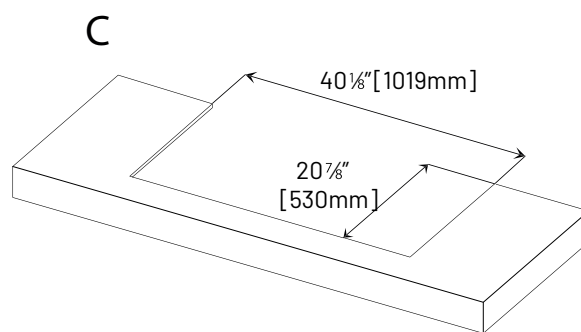
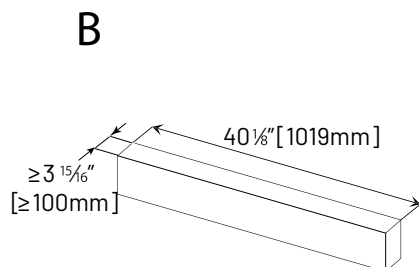
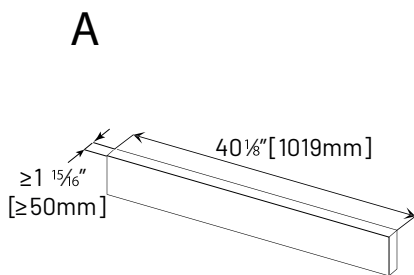
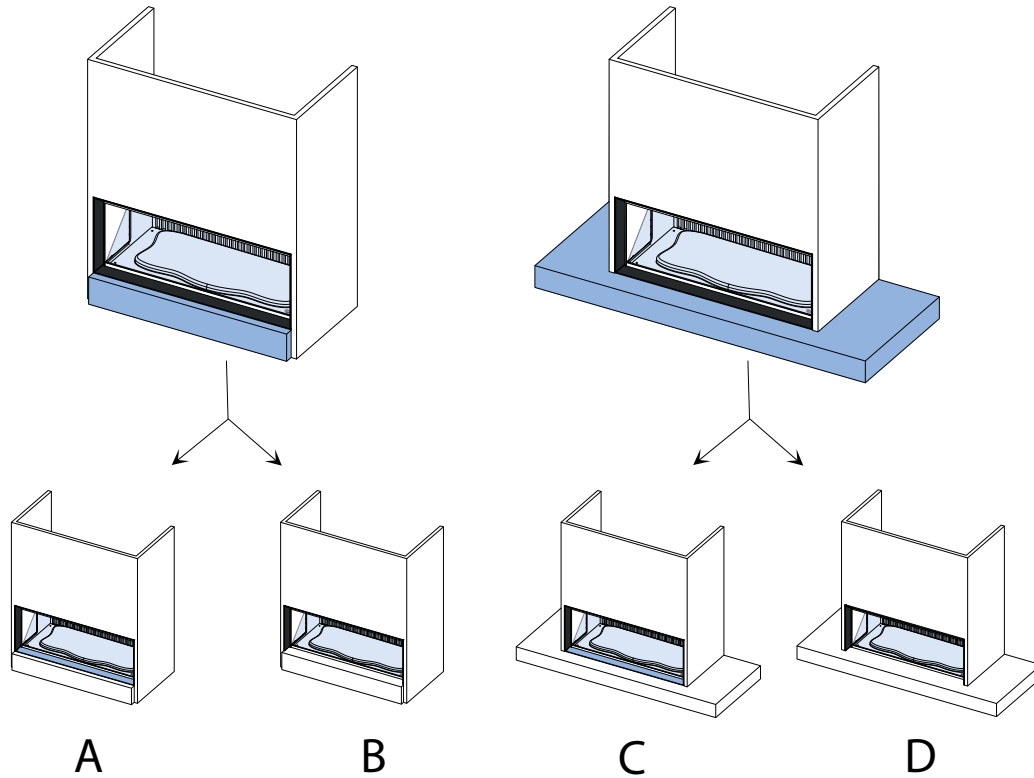
AMBIANCE®

FIREPLACES | BBQ | OUTDOORS | SPAS

LUXUS®
ELECTRIC COLLECTION

Models: LUXUS® e40, e50, e60 and e70 Front Version

LUXUS®e40





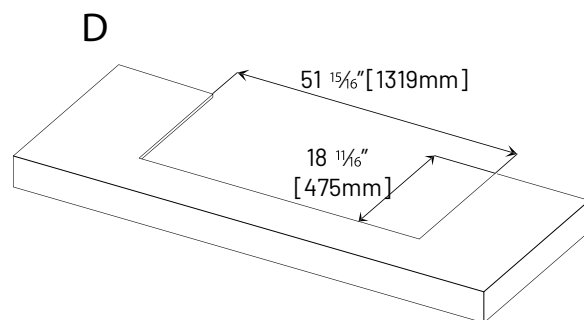
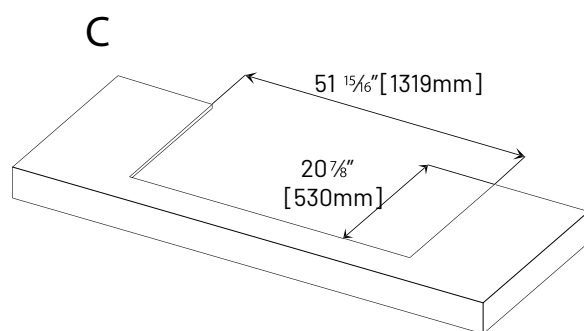
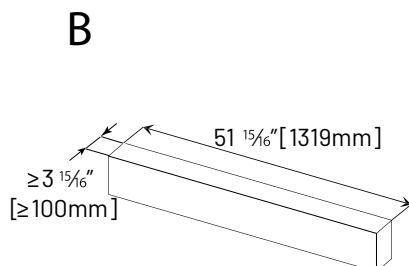
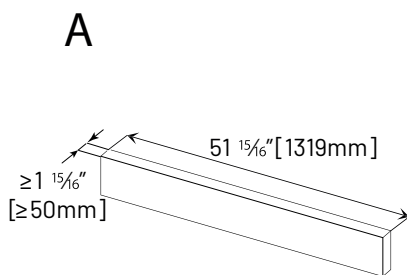
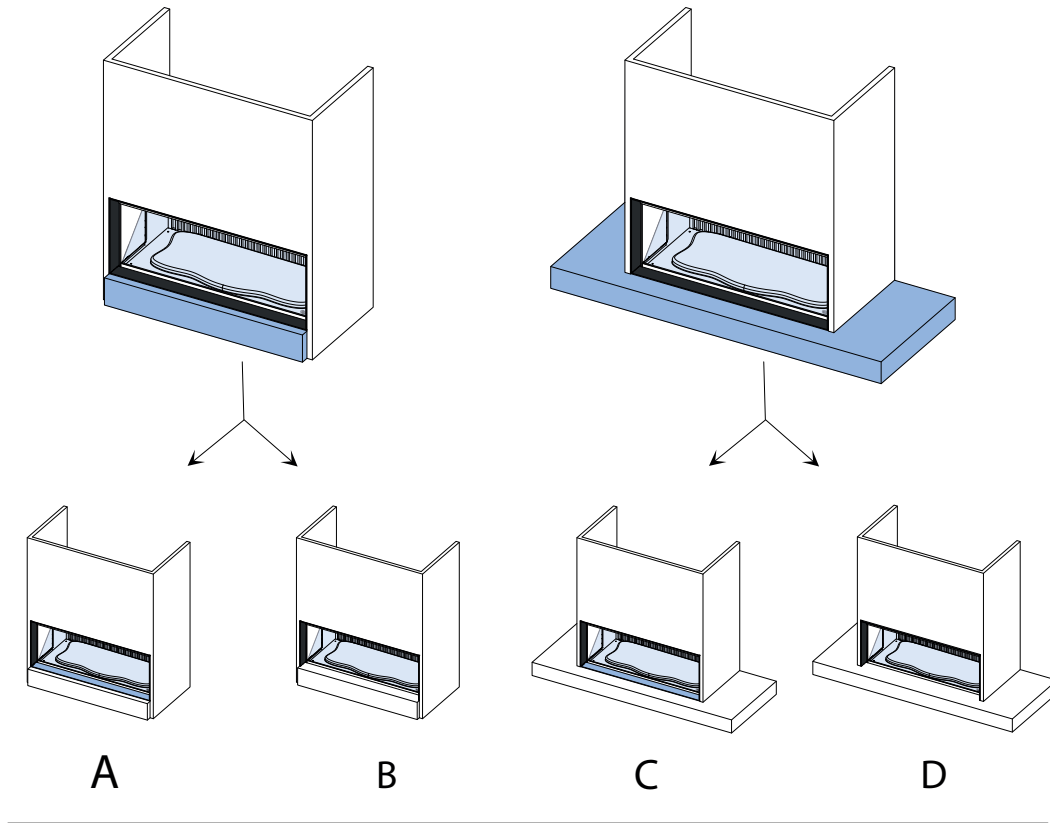
AMBIANCE®

FIREPLACES | BBQ | OUTDOORS | SPAS

LUXUS®
ELECTRIC COLLECTION

Models: LUXUS® e40, e50, e60 and e70 Front Version

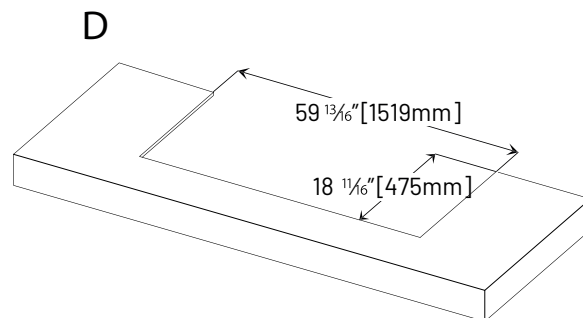
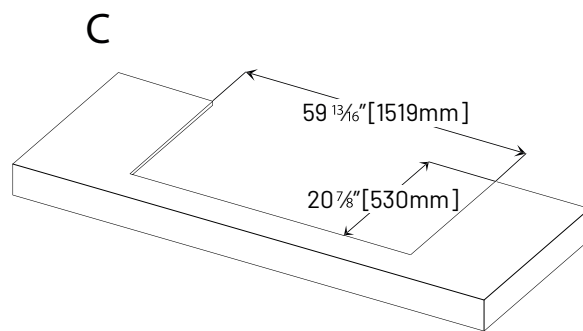
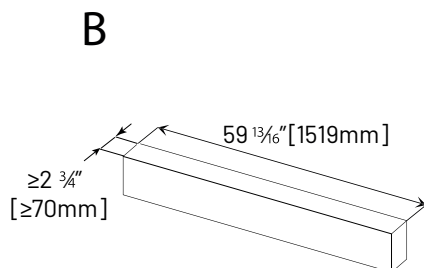
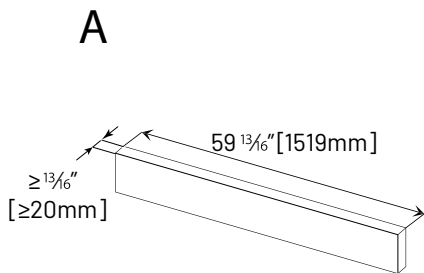
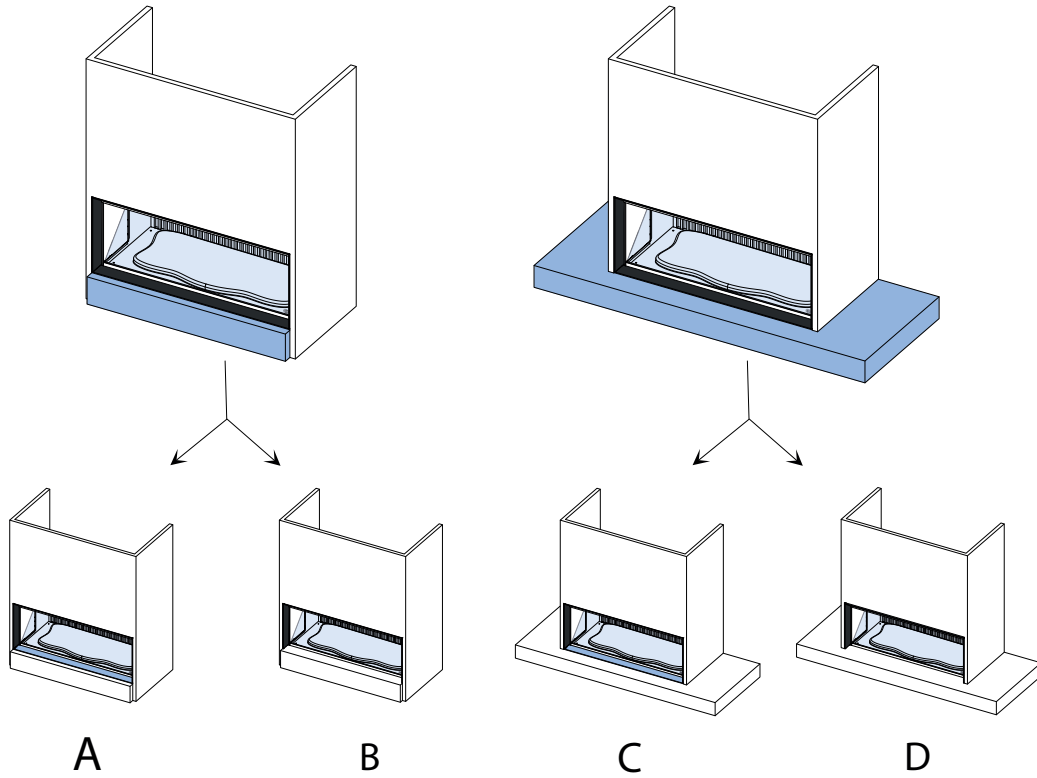
LUXUS®e50





Models: LUXUS® e40, e50, e60 and e70 Front Version

LUXUS®e60





AMBIANCE®

FIREPLACES | BBQ | OUTDOORS | SPAS

LUXUS®
ELECTRIC COLLECTION

Models: LUXUS® e40, e50, e60 and e70 Front Version

LUXUS®e70

