

2026

BonFire®

ELECTRIC  
COLLECTION



BonFire® 48

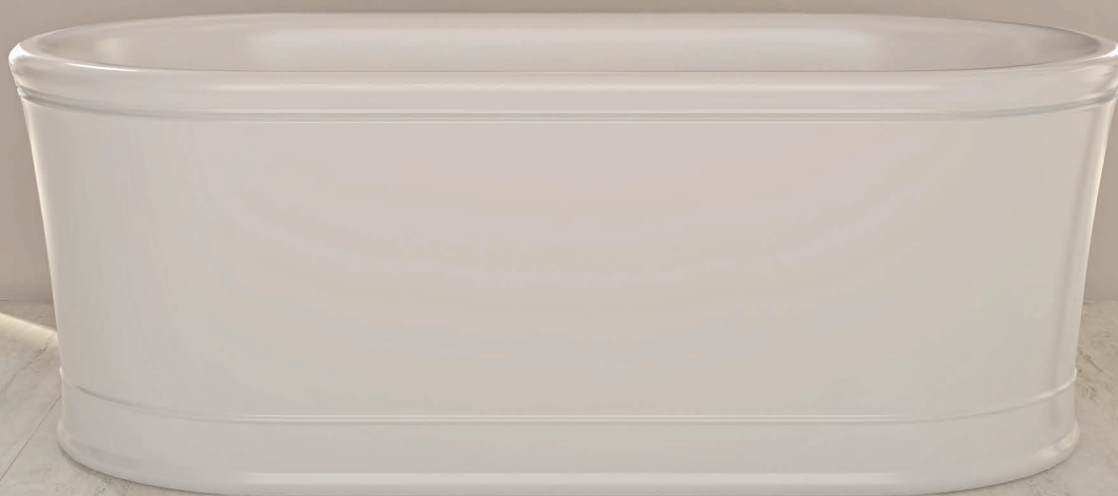


AMBIANCE®

FIREPLACES | BBQ | OUTDOORS | SPAS

# BonFire®

## ELECTRIC COLLECTION



BonFire® 63

BonFire® is not just an electric fireplace—it's a living connection point. Designed from real wood logs and a warm pulsating flame pattern, it feels alive and comforting. The luminous logs combined to an intuitive pulsating ember bed and flames recreates what makes a natural fire relaxing.

The timeless magic of fire into an electric fireplace! With the touch of a button or the activation via the app, it quickly transforms any room into a warm, inviting sanctuary. Its name embodies what fire has always done: it bonds us—to nature, to tradition, and to one another. Whether you're unwinding alone, sharing stories, or hosting loved ones, BonFire® creates an atmosphere where memories are made and moments.

**United Buyers**  
GROUP 

**FLEXIBLE FINANCING**

Most Ambiance® Authorized Dealers offer advantageous & flexible financing solutions.

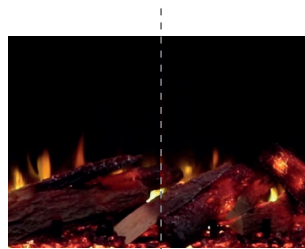
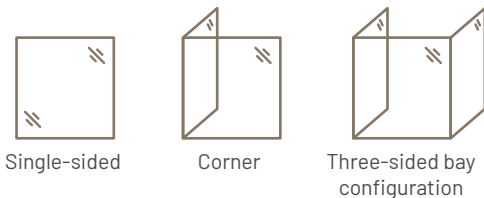
To apply online, visit  
[united-buyers-group.com/financing-program](http://united-buyers-group.com/financing-program)



## FEATURES

- Realistic log set inspired by natural wood for an authentic fireplace experience
- Dynamic, pulsating flame and ember bed that recreates the calming rhythm of real fire
- Multiple installation options: single-sided, corner, or three-sided bay configuration
- Large glass viewing area for an immersive and captivating flame presentation
- Dual-voltage capability (120V / 240V) for flexible installation and enhanced heat output
- Efficient supplemental heating with adjustable heat settings for year-round comfort
- Remote control and mobile app compatibility for effortless operation and customization
- Flame and ember effects operable with or without heat, perfect for all seasons
- Clean electric design with no venting, gas lines, or emissions required
- Modern, architectural aesthetic that transforms any space into a warm gathering place

### Multiple installation options



Dynamic, pulsating flame and ember bed

### REMOTE CONTROL AND MOBILE APP

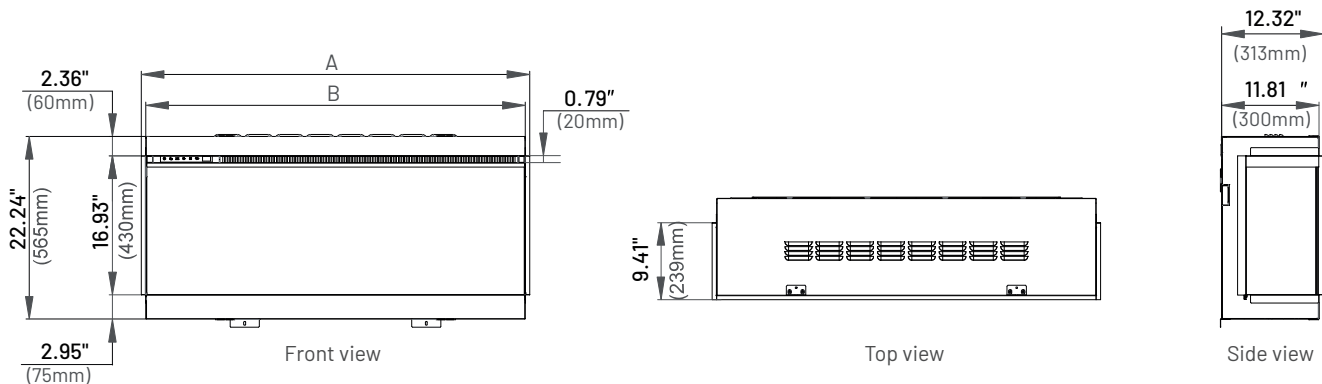


### Dual-voltage capability (120V/240V)

120V = Max. 1400W      240V = Max. 2800W

## TECHNICAL SPECIFICATIONS

### BONFIRE® 48 / BONFIRE® 63



	ENERGY			ENERGY CONSUMPTION		FLAME TECHNOLOGY		HEATING CAPACITY
	Volts	Amps	Watts	Heater On	Heater Off	Lamps	Rotor Motor	Heating Area sq ft
<b>BonFire® 48</b>	120 V / 240 V	11.7	1400 W / 2800 W	High 1400 W or 2800 W	38 W	LED	2 W (Flame)	400 to 800 Sq. Ft.
<b>BonFire® 63</b>	120 V / 240 V	11.7	1400 W / 2800 W	Low 700 W or 1400 W	50 W	LED	4 W (Ember Bed)	400 to 800 Sq. Ft.

	GLASS			DIMENSIONS			BLOWER	
	Type	Disposition	Area sq in	Height	Depth	Width (A/B)	Speed	CFM
<b>BonFire® 48</b>	Ceramic	Front / Corner / Bay	744 / 1048 / 1352 Sq. In.	22.25"	12.32"	47.17" / 46.06"	Single	56
<b>BonFire® 63</b>	Ceramic	Front / Corner / Bay	998 / 1302 / 1606 Sq. In.	22.25"	12.32"	62.91" / 61.81"	Single	56



## WHY CHOOSE AMBIANCE®?

**Ambiance® transforms a house into a home!**

Ambiance® products will add elegance, peace of mind and comfort to the Soul of your home. All Ambiance® products are carefully selected and designed with your family in mind, to enrich the areas of your home where memories and life take place. The best quality and innovation are shown in the enhanced details and features that add a little «je ne sais quoi» in our Ambiance® designs.

Who are our designers? They are a network of over 300 Hearth & BBQ authorized members from coast to coast covering both Canada and USA. From Alaska to Québec and from Florida to California, they know what it takes to warm up your life and use their real-world experience to design quality and innovative products for your home.

Who can sell the Ambiance® products? Only our selected authorized dealers who are local professionals and who understand your local codes and standards.

A house needs a sense of Ambiance® to transform into a home.

*Ambiance®  
the Soul of your home*



**AMBIANCE®**  
FIREPLACES | BBQ | OUTDOORS | SPAS

## ELECTRIC FIREPLACE FEATURES INCLUDE

- 】 Innovative LED lighting for unique flame design and colors.
- 】 Gas Fireplace “look» and easy to install.
- 】 Very low cost to operate.
- 】 Enjoy the “flame» even in summer!
- 】 Certified and safety tested by top agencies in North America.
- 】 Sold and installed by the very best network of fireplace stores in the country.
- 】 Manufactured and engineered by Industry leaders!