

# UHM / UHMF Universal Heat Management System

## ! WARNING

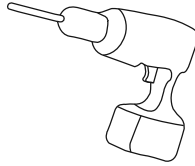
- If the information in these instructions is not followed exactly, a fire or explosion may result causing property damage, personal injury or death.
- Ensure the appliance, safety barrier and glass are completely cool before starting installation.
- To avoid danger of suffocation keep the packaging bag away from babies and children. Do not use in cribs, bed, carriages, or play pens. This bag is not a toy. Knot before throwing away.

You will need:

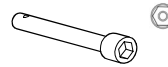
Gloves



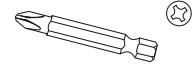
Drill



Hex Bit



Phillips Bit



**Installer:** Leave this leaflet with the appliance. **Consumer:** Retain this leaflet for future reference.

**Caution:** A barrier designed to reduce the risk of burns from the hot viewing glass is provided with this appliance and shall be installed. This barrier is not designed for prolonged contact.

## IMPORTANT

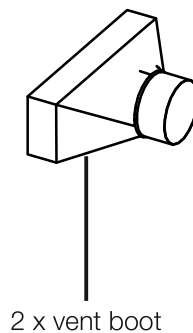
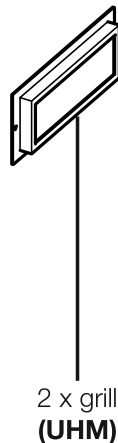
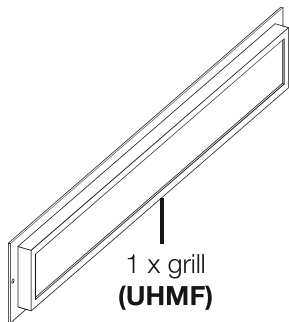
This kit moves the warm air from your fireplace enclosure to be expelled into the room. Where duct lengths are greater than 5 feet, it is recommended that the duct be insulated. **We recommend installing the grill(s) and vent boots in the same room as the appliance.**

## ! WARNING

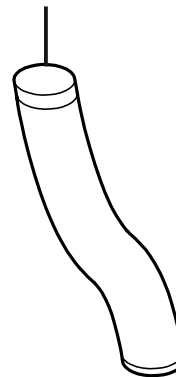
- All discharge air opening(s) / grill(s) **MUST** be installed 6' away from any sprinkler systems.
- All discharge air opening(s) / grill(s) **MUST** be installed 4' from combustibles.

We recommend installing the Universal Heat Management kit during the installation of the appliance **BEFORE** gas is installed.

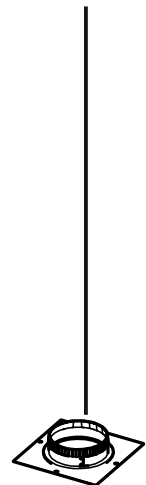
### Included in this kit:



2 x flexible duct - 5 ft (alum.)



2 x collar assembly

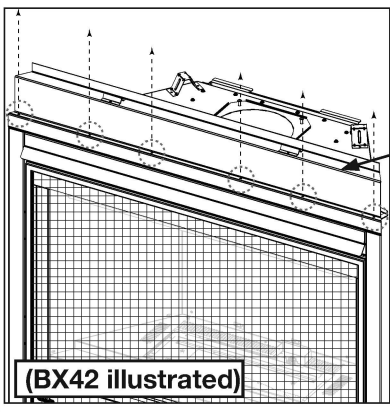


Quality System Certified To

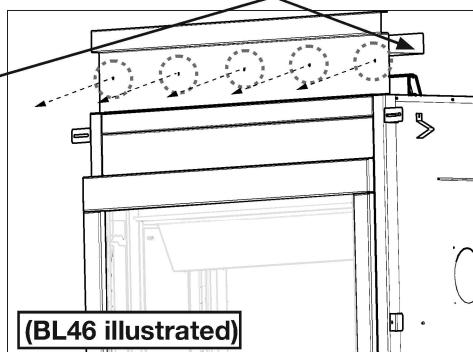
**ISO**  
9001:2015

W415-2948 / C / 03.15.22

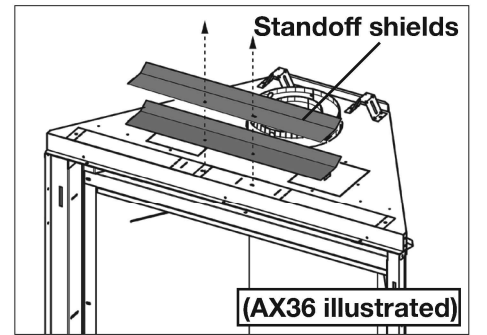
**IMPORTANT**



For ease of installation, remove the heat shield (if applicable).



For ease of installation, remove the 2 standoff shields.



Minimum 3" (76mm) clearance to enclosure top

84" (213cm) minimum (recess install)

**FOR AX36 / 42 ONLY:**  
66 1/2" (169cm) minimum

Minimum 3/4" (76mm) top clearance to finishing material required when vent boot is mounted horizontally

**note:**

Vent boots can also be mounted on the front side of the enclosure. For recess application, boots should be mounted above the recess opening.

Minimum 1" (25mm) clearance all around the flexible duct

**note:**  
Refer to appliance installation manual for enclosure height of a typical installation.

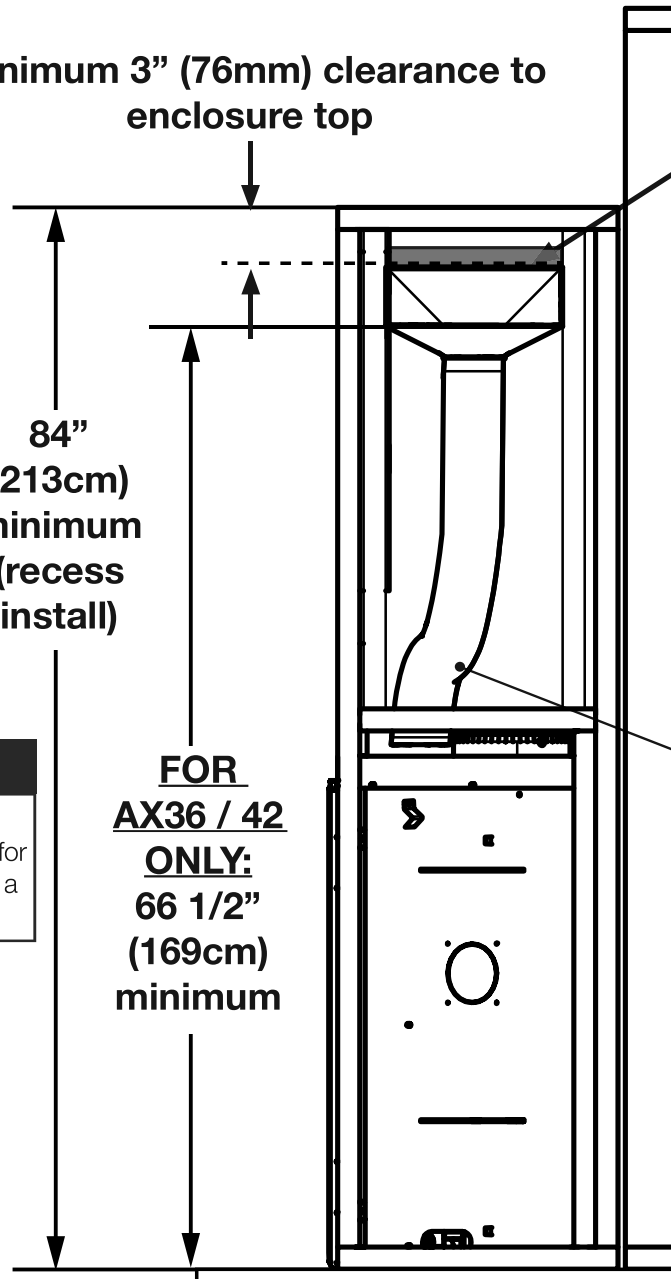
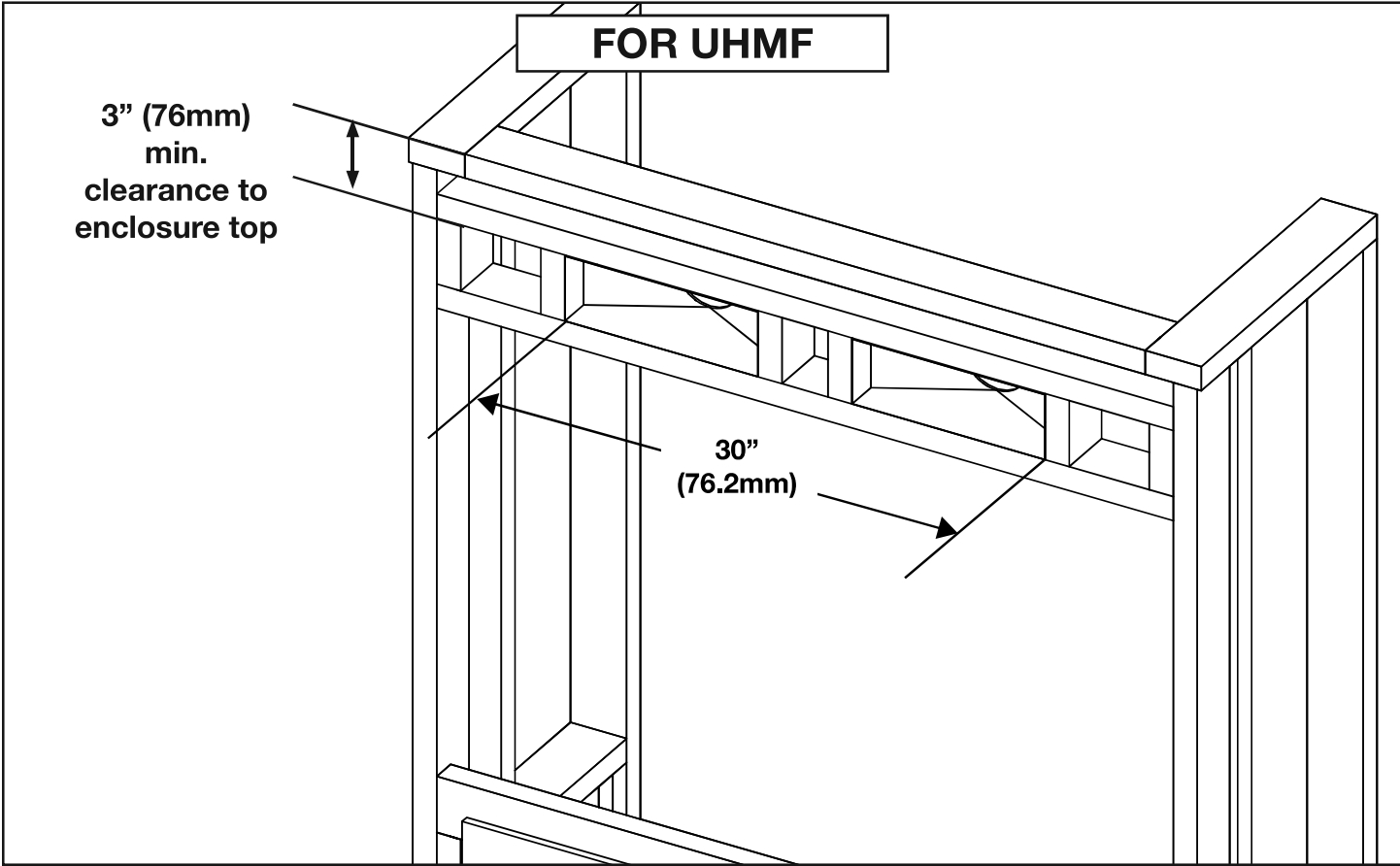
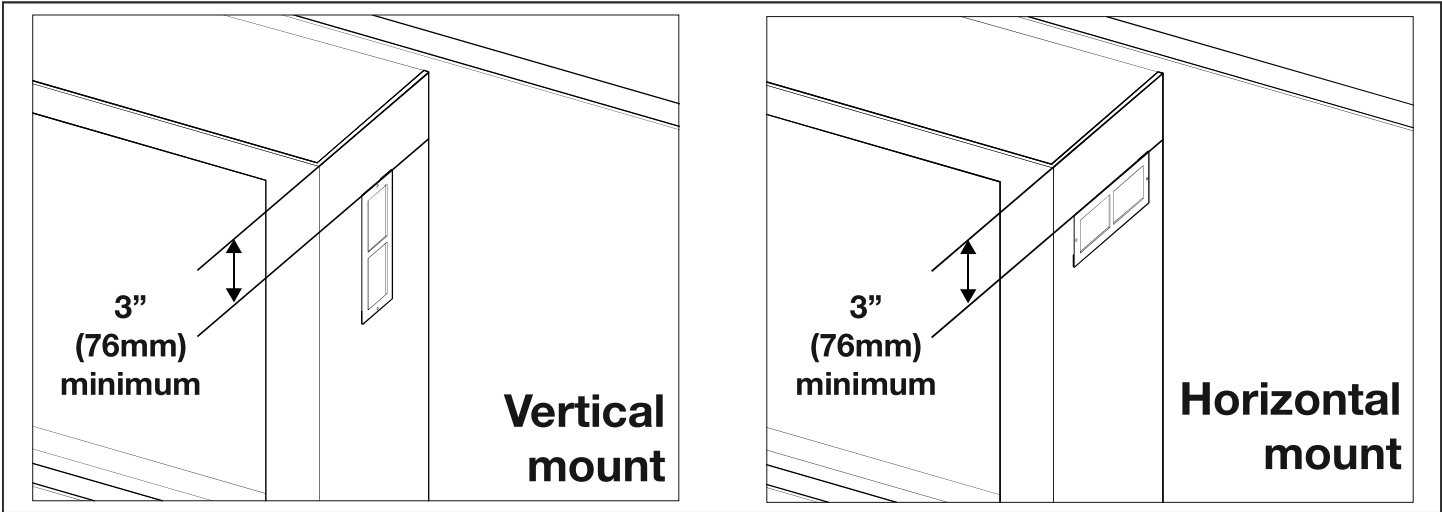


Fig. 4

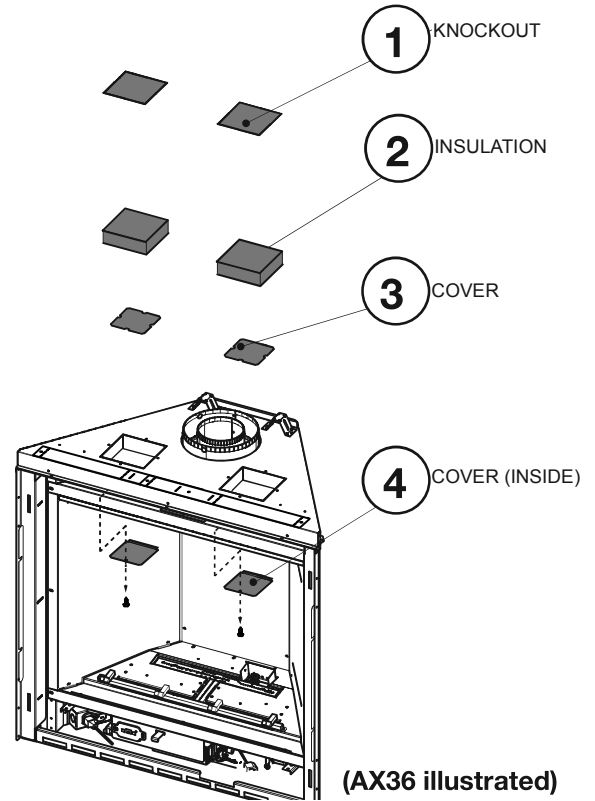
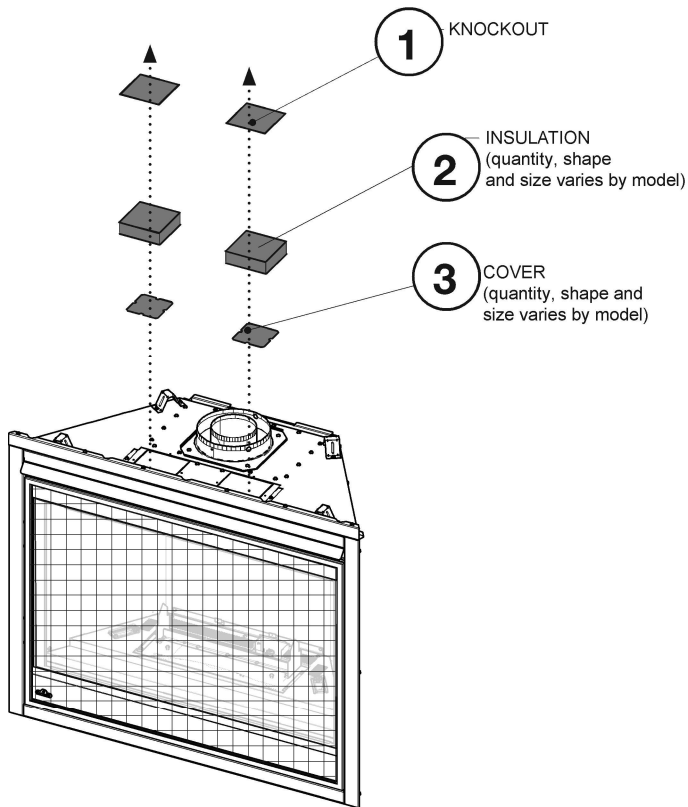


**Mounting Options (UHM only)**

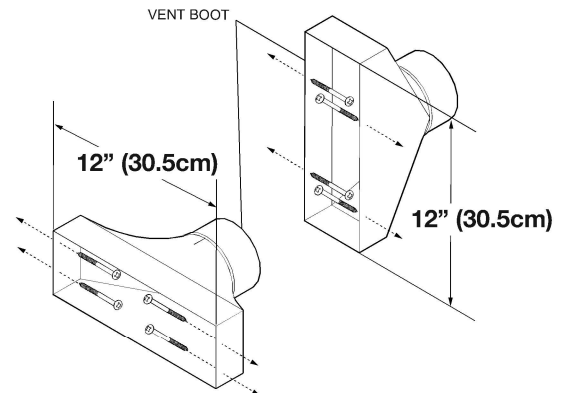
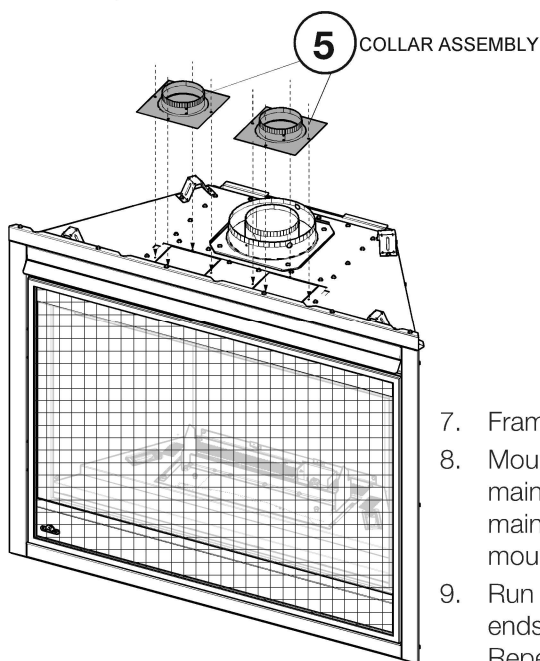


## IMPORTANT

All kit components **MUST** be completely installed.



1. Remove knockouts (x2) from the top of the appliance. Discard.
2. Remove insulation (quantity, shape and size varies by model) from the top of the appliance. Discard.
3. Remove cover (quantity, shape and size varies by model) from the top of the appliance. Discard.
4. If applicable, remove screws securing the inside covers (x2) above the firebox.
5. Centre the collar assembly around the opening and attach it to the appliance using the 4 pre-punched holes. Repeat for second collar assembly.
6. Determine the location of both vent boots (it may have to be positioned vertically depending on the depth of the enclosure).



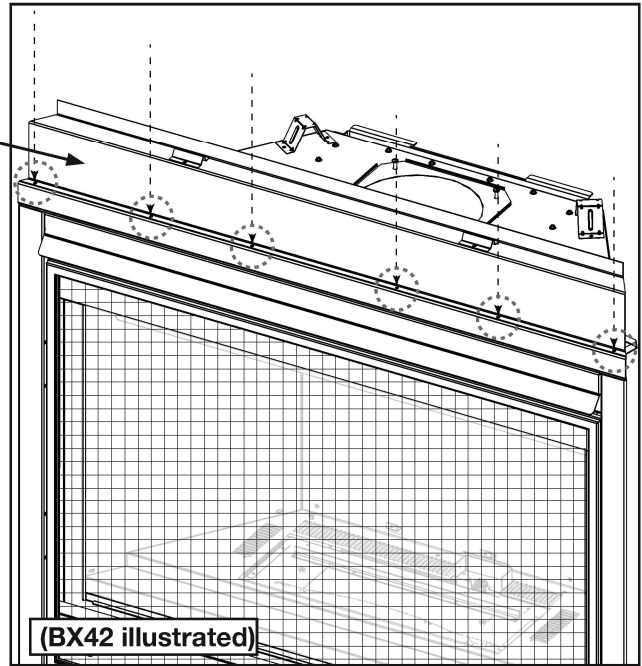
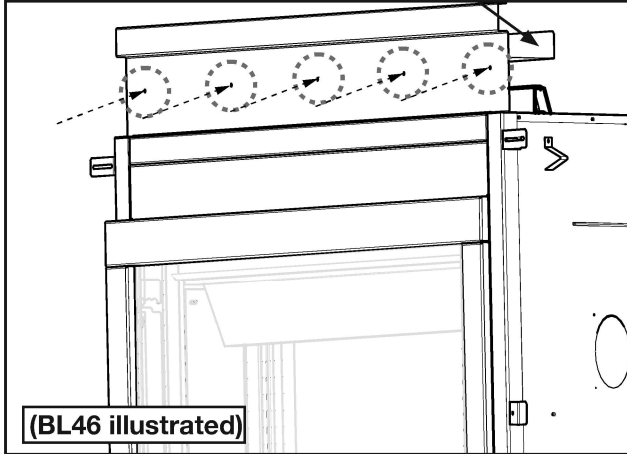
7. Frame a space for the vent boot between framing members (wall studs).
8. Mount and secure (screws not supplied) the vent boot to framing members while maintaining the 3" (76mm) minimum clearance from the enclosure top. Ensure to maintain minimum 3/4" clearance to finishing material above the vent boots when mounted horizontally. Repeat for second boot.
9. Run the flexible duct from the collar assembly to the vent boot and attach on both ends with 3 sheet metal screws. Ensure to maintain 1" clearance to combustibles. Repeat for second flexible duct.

W415-2948 / C / 03.15.22

## ! WARNING

- The heat shield **MUST** be installed during appliance operation. Failure to maintain clearances or follow the installation instructions provided in your manual could result in serious injury, death or property damage.

The heat shield must be reinstalled.



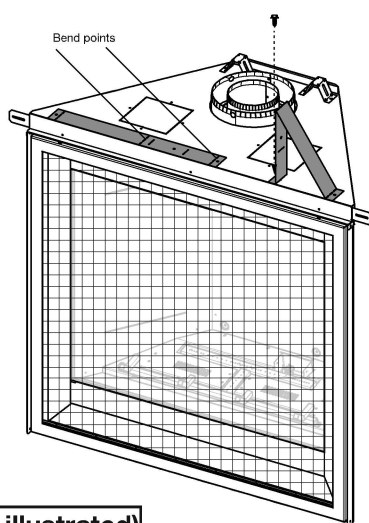
## ! WARNING

- The complete standoff assembly **MUST** be installed during appliance operation. Failure to maintain clearances or follow the installation instructions provided in your manual could result in serious injury, death or property damage.

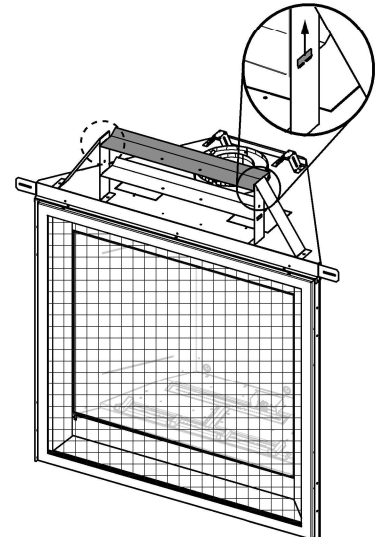
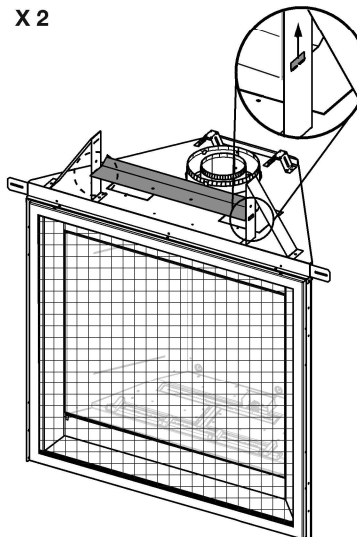
The 2 standoff shields must be reinstalled.

**note:**

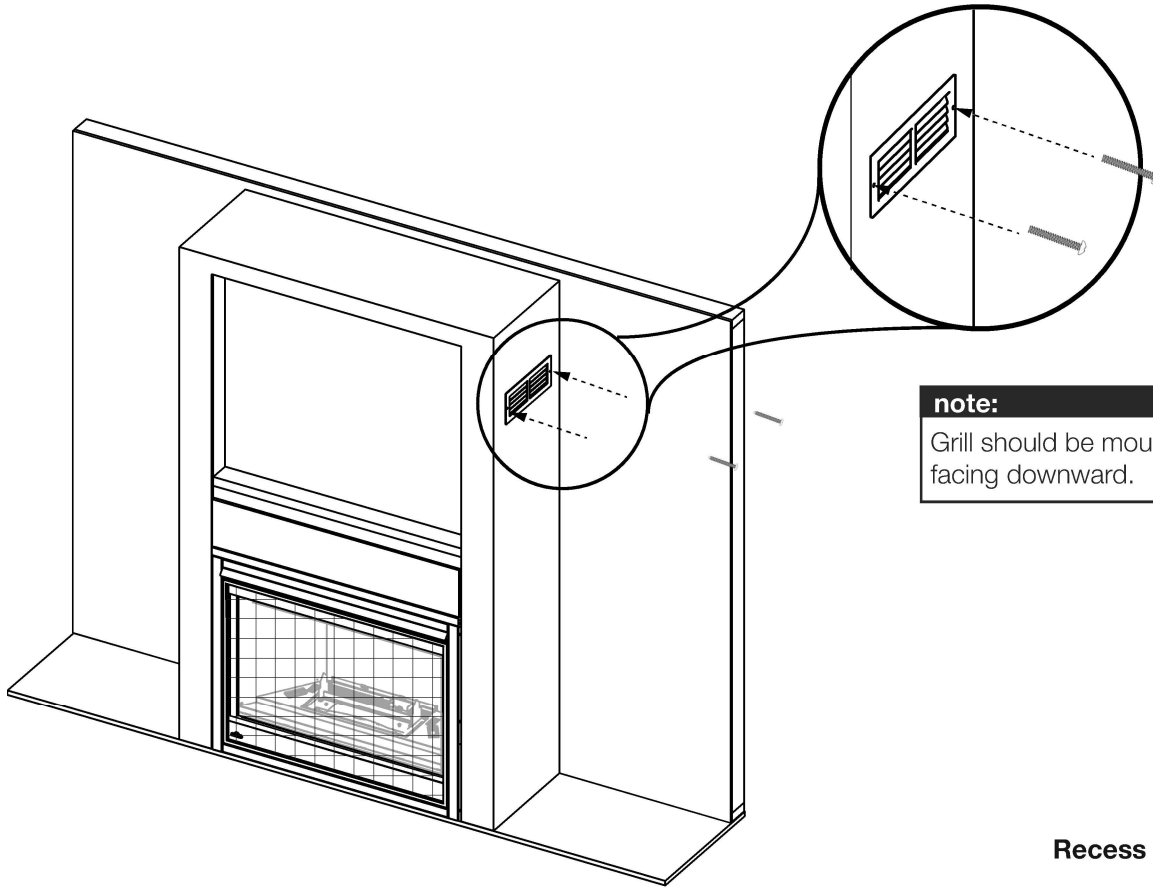
The top standoff provides the minimum clearance to the header.



X 2

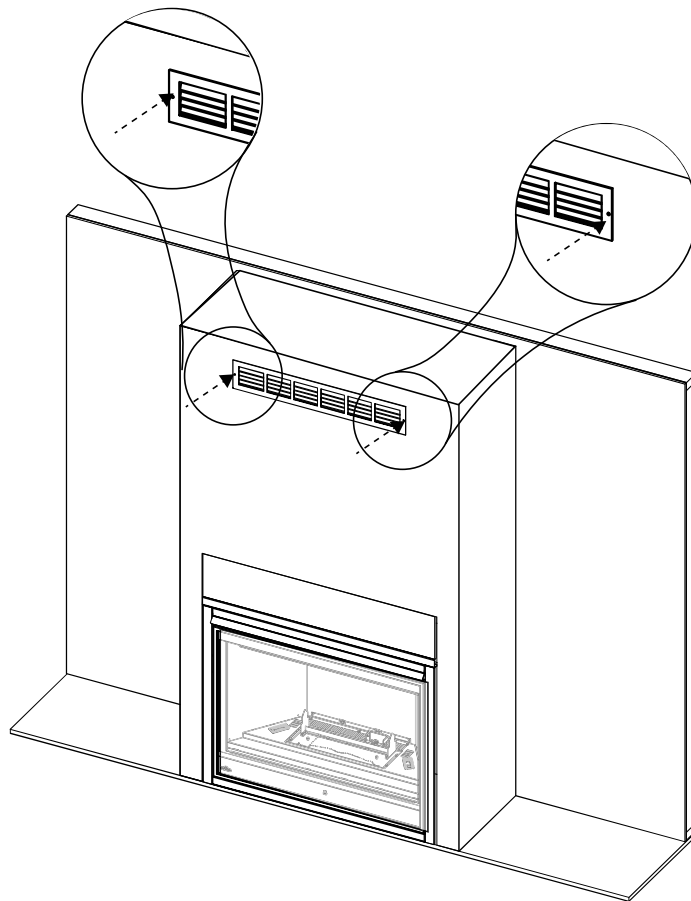


10. Mount and secure the grill to the finishing material. Repeat for second grill (UHM only).



**note:**  
Grill should be mounted with the louvers facing downward.

**Recess application (with side grills) illustrated.**



**note:**  
Grill should be mounted with the louvers facing downward.

**Flush application (with front grill) illustrated.**