

LHAD

Linear Hot Air Distribution Installation Instructions

! WARNING

- If the information in these instructions is not followed exactly, a fire or explosion may result causing property damage, personal injury or death.
- Ensure the appliance, safety barrier and glass are completely cool before starting installation.
- To avoid danger of suffocation keep the packaging bag away from babies and children. Do not use in cribs, bed, carriages, or play pens. This bag is not a toy. Knot before throwing away.

Installer: Leave this leaflet with the appliance. Consumer: Retain this leaflet for future reference.

Caution: A barrier designed to reduce the risk of burns from the hot viewing glass is provided with this appliance and shall be installed. This barrier is not designed for prolonged contact.

This kit allows for warm air from your fireplace to be vented into separate locations within the home. Where duct lengths are greater than 5 feet or when passing through uninsulated spaces such as an attic, it is recommended that the duct be insulated. A fireplace may use up to two Linear Hot Air Distribution kits (**option 1 only**).

note:

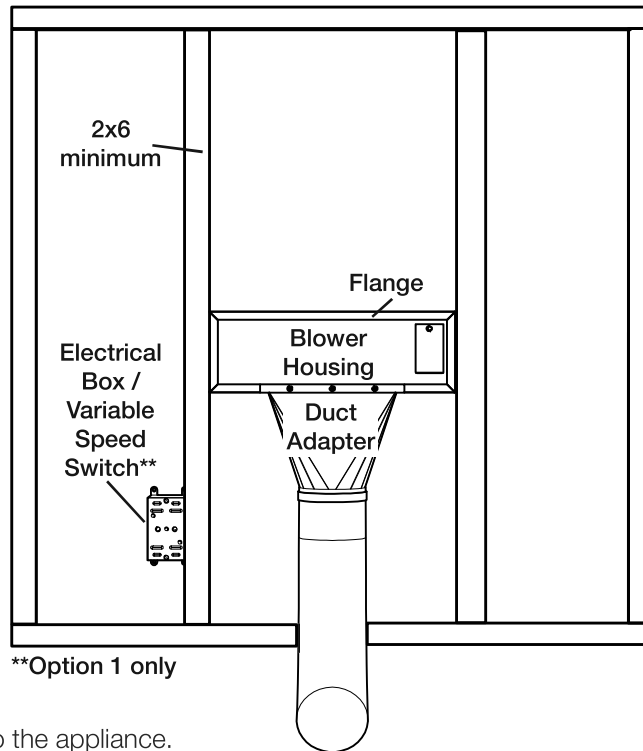
If this kit is installed into the floor, a vent filter (not supplied) must be used to prevent any debris from falling into the blower.

Included in this kit*:

1 x bushing	2 x wire harness	1 x register plate	1 x variable speed switch
1 x blower housing	1 x collar assembly	4 x #8 x 3/8" screws	(c/w knob)
1 x flexible duct - 5 ft (alum.)	12 x #9 x 1/2" screws	4 x #10 x 3/4" screws	1 x firestop spacer
	1 x thermodisc		

*Some items may not be required for option 2.

Fig. 1



1. Turn off any electrical power to the appliance.
2. Determine the desired location for the blower housing to be installed in the finished wall. Attach the blower housing to the framing.
3. Remove the 4" knockout or cover plate from the appliance. This is located on either side of the appliance.
4. Secure the 4" collar assembly over the hole into the 4 pre-punched mounting holes.
5. Run the flexible duct from the knockout on the appliance to the blower housing while maintaining 1" clearance to combustibles. Ensure to use the firestop spacer if penetrating a combustible wall.

note:

The blower housing must be centered between 2x6 framing members.

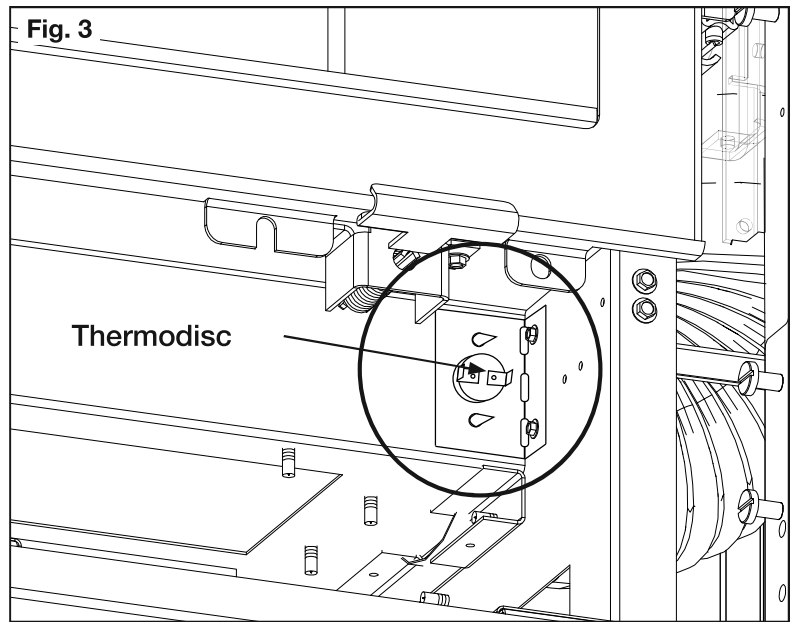
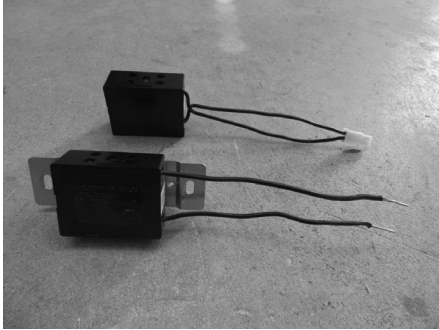
Quality System Certified To

ISO

9001:2015

W415-1770 / C / 09.04.18

Fig. 2



Option 1 (1 or 2 blowers)

6. Determine the location for the variable speed switch. Install an electrical box (not supplied) at this location.
7. Strip the ends of the variable speed switch and install into electrical box with supplied screws (**Fig. 2**).
8. Attach and secure the thermodisc bracket assembly to the leg of the firebox (**Fig. 3**). **NOTE:** Linear model illustrated, see blower installation instructions for thermodisc location for your specific model.
9. Ensure that the thermodisc comes in contact with the firebox wall for proper activation.
10. Using the two wires supplied, attach the flag ends to the terminals located on the thermodisc (additional pigtail male connectors only required if installing a second LHAD). Next pass both bare ends into the junction box (not supplied) using the supplied bushing.

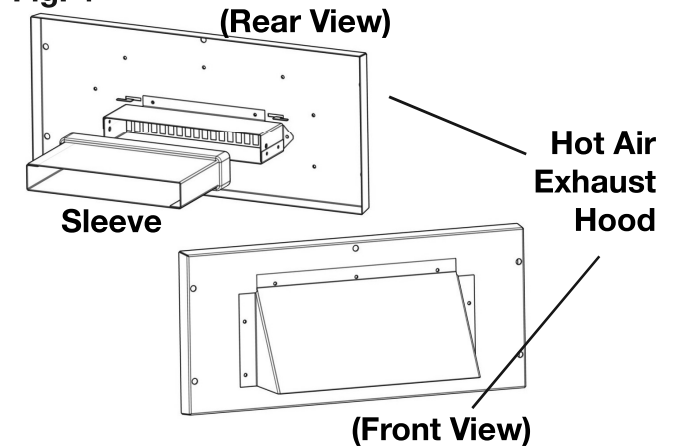
A) Connect L1 from your 14/2 wire (not supplied) to one side of the thermodisc wire, inside the junction box located in the appliance.

B) Connect opposite wire on thermodisc to either side of the variable speed switch with field supplied wire.

C) Connect opposite side of variable speed switch to the black wire located in the junction box on the blower housing.

D) Connect all ground and neutral wires at each junction location based on local codes.

Fig. 4



FINISHING:

Finish material must be cut out for blower housing and electrical box - Install the register plate over the blower housing opening. Dry wall anchors may be required.

For L or LV without use of Dynamic Heat Control™ - EXTERIOR WALL using the hot air exhaust terminal, **part #GA-72 (Fig. 4)**, (purchased separately) - This kit comes complete with an extension sleeve that can be trimmed to suit the depth of an exterior wall. Insert the sleeve into the wall opening and fasten the exhaust hood to the exterior wall.

note:

Ensure to align with hole in blower housing.

Make weathertight by sealing with caulking, not supplied. Plugs may be needed to anchor the screws.

W415-1770 / C / 09.04.18

Fig. 5

Option 1 (1 or 2 blowers)

LHAD WIRING SCHEMATIC

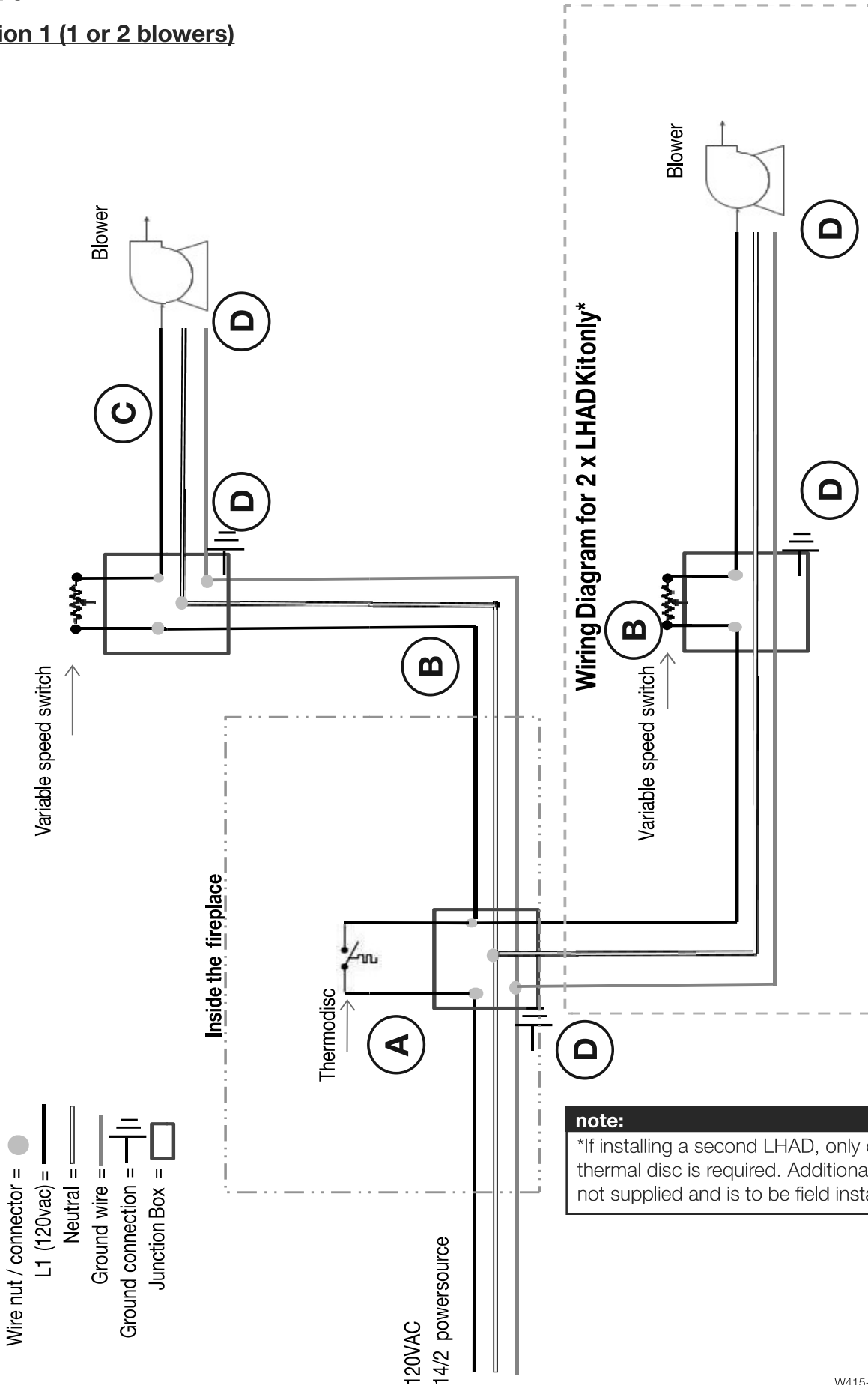
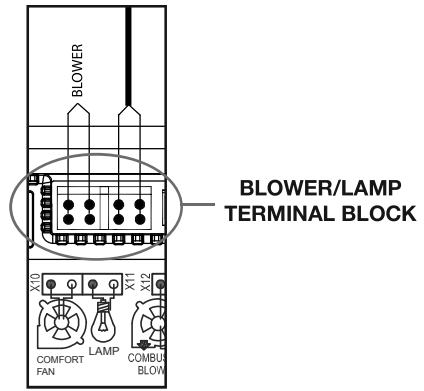
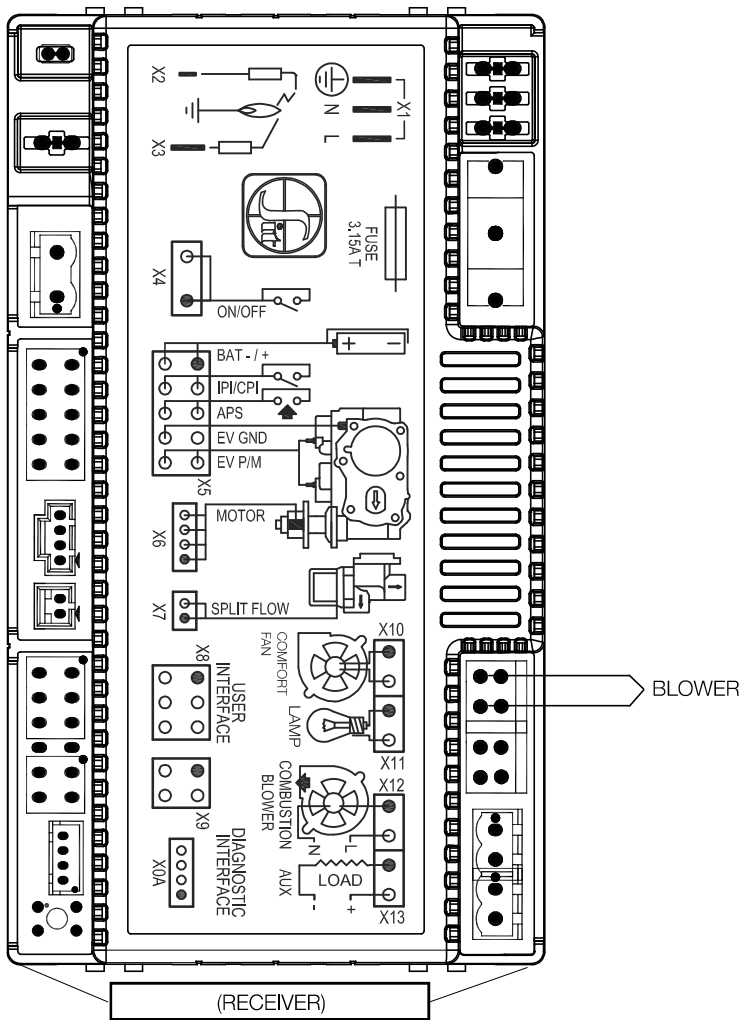
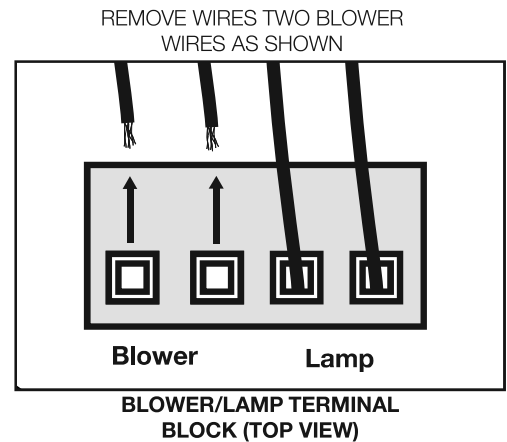


Fig. 6

Option 2 (1 blower only)



1. Unplug the blower/lamp terminal block.
2. Loosen blower terminal screws and disconnect the blower wires as shown below.
3. Disconnect the blower ground wire.
4. Connect new house wires into the blower terminal block and tighten the blower terminal screws.
5. Plug the blower/lamp terminal block back into the board.
6. Ensure to ground new house wire to the ground screw.
7. Connect the other end of the house wires to the junction box of the optional blower.



note:

This appliance is equipped with a three-prong (grounding) plug for protection against shock hazard and should be connected into a properly grounded circuit. Do not cut or remove the grounding prong from the plug.