

JC BORDELET

c r é a t e u r d ' h a r m o n i e

INSTALLATION, MAINTENANCE AND OPERATION MANUAL FOR LEA
998 MFF WALL-MOUNTED FIREPLACES



Tested and approved to ULC-S610 and UL 127 standards by

Manufactured by : BORDELET INDUSTRIE S.A.S. – Z.I. de Lhérat – 63310 RANDAN - FRANCE



This appliance is:

The manufacturer may update this manual from time to time and cannot be responsible for problems, injuries, or damages arising out of the use or misuse of information contained in this manual.

The installer must read these instructions carefully and, once the installation is complete, turn this manual over to the consumer for future reference.

Instructions Prior to Installation

We recommend that our wood-burning fireplaces be installed and serviced by professionals who are certified in Canada by WETT(Wood Energy Technical Training), in Quebec by APC (Association des Professionnels du Chauffage) or in the United States by NFI (National Fireplace Institute®).

Before undertaking this installation, the installer must consult the local building codes and the fire department about installation requirements in the area. A building permit may be required for the installation of this fireplace and the chimney connected to it. Additionally, the homeowner should consult his home insurance company to find out how the projected installation may affect his insurance coverage. The installing contractor must carefully read and understand the installation instructions contained in this manual and follow them to the letter as this will result in a safe, efficient and dependable installation of the fireplace and it's attached chimney.

In order to protect the exterior finish of the fireplace and the supplied connecting hardware to the chimney, JC Bordelet S.A.S. have supplied special gloves to be used during the installation so as not to mar the finish of the fireplace and it's related components.

Warning: Failure to correctly follow the installations guidelines for this fireplace could cause a fire, which could result in loss of life or serious injuries and/or important material damages.

Warning: Do not use materials other than those provided by the manufacturer for use during the installation as they may be safety hazards and their use could cause a fire, which could result in loss of life or serious injuries and/or important material damages.

Warning: Do not install this fireplace in a mobile home as it is neither approved nor certified for this type of installation.

CAUTION: Do not attempt to modify or alter the construction of the fireplace or its components. Any modification or alteration of construction may void the warranty, listings and approvals of this system. In that case, JC Bordelet S.A.S. will not be responsible for any injuries or damages.

WARNING: The information appearing on the certification label affixed to the appliance always overrides the information published in any other media (owner's manual, catalogues, flyers, magazines and/or web sites).

TABLE OF CONTENTS

1. SAFETY RULES FOR OPERATING THE LEA MFF FIREPLACE	3-4
2. THE FIREPLACE	4
2.1 INTRODUCTION	4
2.1.1 Parts Required	4
2.1.2 Additional Equipment	4
2.2 FIREPLACE INSTALLATION.....	5
2.2.1 Reinforcing Location of Support Frame & Load Bearing Support/Chimney Connector... Tables 1 & 2 Weights of Installations.....	4 5
2.2.2 Installation of Hearth Extension.....	5-6
2.2.3 Installation of Thermal Shield and Parts List.....	6-7
2.2.4 Installation of Smoke Pipe and Fireplace onto Load Bearing Support/ Chimney Connector	8-9-10
2.2.5 Chimney Installation	11-12
2.3 OPERATING THE LEA MFF FIREPLACE	13
2.3.1 Fuel.....	13
2.3.2 First Fires	13
2.3.3 Building a Fire	14
2.3.4 Dangers of Creosote	14
2.3.5 Maintaining the Fire	14

2.3.6	Combustion Air.....	14-15
2.3.7	Combustion Settings.....	15
2.3.8	The Use of Composite Ecological logs	15
2.3.9	Smoking - Causes and Troubleshooting.....	15-16
2.4	MAINTAINING THE LEA FIREPLACE AND CHIMNEY.....	16
2.4.1	Fireplace and Chimney Maintenance.....	16
2.4.2	Annual and Seasonal Inspections	16
2.4.3	Care and Cleaning of the exterior of the Fireplace	16
2.4.4	Ash Disposal.....	17
2.4.5	Glass – Installation & Replacement.....	18-19
2.4.6	Glass Care – Cleaning	19
2.4.7	Dealing with a Chimney Fire.....	19-20
2.4.8	Outdoor Combustion Air Intake.....	20
2.4.9	Replacement Parts list	21
	WARRANTY	22-23

1. SAFETY RULES FOR OPERATING FIREPLACE

Warning: This fireplace is designed to be operated with the doors closed. If doors are left open or partly open, flames and firebrands may be drawn out of the fireplace creating risks of both fire and smoke which could result in loss of life or serious injuries and/or important material damages.

1. Teach children fireplace safety rules and do not let children under eight get near the fireplace.
2. Do not use the fireplace under the following conditions:
 - 2.1 Whenever a Vitroceram glass door or fixed panel is cracked or broken.
 - 2.2 Whenever any part of the smoke pipe or chimney is loose or not in a proper working order.
3. Never use flammable liquids to light or revive a fire and keep such products away from any heat source. Before lighting a fire, make sure there are no flammable liquids, gases or fumes in the room.
4. Before starting each fire, open the flue damper fully using the damper cane to turn the key located above the fireplace on the smoke pipe.
5. Open the doors with the cool hand tool and the combustion air intake lever located on the lower front of the fireplace.
6. During extremely cold weather, preheat the chimney flue to prevent smoke flow reversal. Hold a lighted rolled up newspaper inside the fireplace towards the smoke pipe for a few minutes.
7. Only use the grate made by JC Bordelet S.A.S. to build a fire. Burn only the quantity of firewood it can hold (Max. 9kg/20 lbs). Never overfire the fireplace, if any part of the fireplace or smoke pipe is glowing red, then you are overfiring. Immediately close the fireplace's combustion air intake lever until the system cools. The high temperature caused by overfiring can permanently damage the fireplace, smoke pipe, chimney and nearby combustible walls and furniture.
8. To prevent deformation of the grate, always leave a minimum 2.54cm (1") of ash in the bottom.
9. When using the fireplace for the first times, make small fires (max. 4.5Kg/10 lbs) of firewood to give the painted finish of the fireplace and smoke pipe time to cure properly.
10. During the first fires, you may detect certain odors and the coating and oil protecting certain parts may smoke a little. Open a window, to quickly dispel these fumes.
11. Expansion and contraction noises during the heating and cooldown cycle are normal.
12. When the fireplace is in full operation and hot, do not tamper with the damper key.
13. Once the fire is out and the fireplace, smoke pipe and the embers have cooled, close the smoke pipe damper (using the damper cane) and the air intake damper until you prepare the next fire.
14. When cleaning out the ashes, wait until they are cold (min. 24 hours) before removing them. Ashes should be placed in a metal ash container with a tight fitting lid. Pending disposal, the ash container should be placed on a non-combustible floor or outside. If the ashes are buried in soil or otherwise locally dispersed, they should be retained in the ash container until they are cold.
15. Whenever a glass door or glass fixed panel cracks or breaks, stop using the fireplace. To replace, only use only 4 mm (5/32") Vitroceram glass doors or fixed panels, specifically fabricated for the LEA 998 FIREPLACE by JC Bordelet S.A.S. and able to resist temperatures of 750°C (1382 °F).

WARNING: Never use gasoline or gasoline-type lantern fuel, kerosene, charcoal lighter fluid, waste oil or any other combustible liquid to start or rekindle a fire in this fireplace as they may cause an explosion or fire which could result in loss of life or serious injuries and/or important material damages. They must be stored in sealed metal containers in a well-ventilated room or structure that does not adjoin the room where the fireplace is situated. At all times, keep all other combustible materials at least 1.2m (48") away from the front and sides of the fireplace.

WARNING: When the fireplace is operating, never reach into it for any reason as this may lead to irreversible burns which could lead to loss of life or serious injuries.

Caution: Never leave children and babies unattended when there is a fire burning in the fireplace. The temperature of the metal surfaces and glass panels can often exceed 100 ° C (212 °F) which may lead to serious burns.

Caution: Never build a wood fire directly on hearth or elevate fire. Always use the grate provided with the fireplace to build a fire. Burn only the quantity of fuel it can hold (Max. 9kg/20 lbs).

Caution: Do not use this fireplace as a fireplace insert or any other product not specified or approved for use with this fireplace, especially Decorative Gas Fire Log Sets.

Caution: To operate properly, this fireplace needs combustion air, always make sure that there is a sufficient supply of combustion air when operating the fireplace as per ANSI Z 223.1/NFPA 54.

2. THE FIREPLACE

2.1 INTRODUCTION

The LEA 998 fireplace is an energy efficient, heat generating fireplace. It will provide you with a lifetime of comfort and enjoyment provided it is installed, maintained and operated properly.

1- Before beginning the fireplace installation, check the local building codes and obtain a building permit from the local authorities. Install the fireplace only as described in this manual and only using components provided by JC Bordelet S.A.S.

2-This fireplace must only serve as a supplementary heat source and JC Bordelet S.A.S. cannot be held responsible for additional heating costs associated with the use of this fireplace. A sufficient and permanent heat source should already be available in the home. It is recommended that the user buy this product from a dealer who can provide installation and maintenance services.

2.1.1 Parts Required

1- The LEA 998 wall-mounted fireplace, lengths of smoke pipe & thermal shielding, supporting frame and a load bearing support to connect and support the fireplace, smoke pipe and chimney.

2- A High-Temperature insulated 203mm (8") chimney with all the required chimney lengths and installation accessories certified to the following standards ULC-S-629 (Canadian installations) & UL-103HT (USA installations).

3-Associated components as per these installation instructions.

2.1.2 Additional Equipment

Outdoor Combustion Air Intake (Recommended Option)

Bordelet Thermal Wall Shielding (Required Option as per ULC-S610 and UL 127 standards)

2.2 FIREPLACE INSTALLATION

2.2.1 Reinforcing Location:Supporting Frame & Load Bearing Support/ Chimney Connector.

1. Before beginning the installation, consult Table 1 (ASHT type) or Table 2 (S2100 type) depending on chimney selected for total weight of chimney, weights of supporting frame, Load Bearing Support/Chimney Connector, smoke pipe, fireplace & components.

2. Determine the exact location of the supporting frame and the Load Bearing Support and Chimney Connector above the ceiling in accordance with the proposed location of the ceiling-suspended fireplace so that the fireplace will be perfectly centered on the thermal shielding in the room below and the lower shelf of the fireplace will be 450mm (17-23/32") above the finished floor when the installation is completed.

3. Multiply by two the total weight of all suspended components, including the weight of the supporting frame and Load Bearing Support/Chimney Connector, the chimney, smoke pipe and the fireplace to achieve a minimum 200% structural safety factor when reinforcing the structure around the proposed location of the supporting frame and Load Bearing Support/ Chimney Connector.

TABLE 1: WEIGHTS OF CEILING SUSPENDED LEA 998 FIREPLACES (Approx.)
 (with e.g. ASHT SECURE-TEMP + - 25mm (1'') wall thickness chimney)
 (Height of installation floor to ceiling: Min. 2.43m (8') - Max. 4m (13'-1 1/2''))

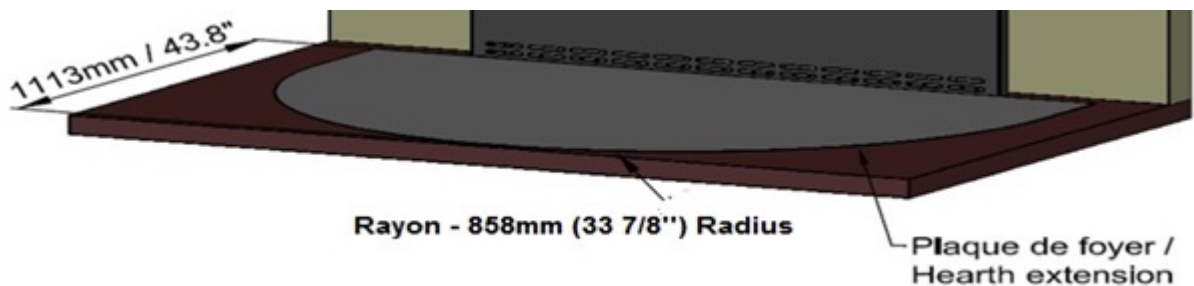
Weight of fireplace	Load Bearing Support & Supporting frame	length of smoke pipe & weight of smoke pipe	Length of chimney & weight (10.8 kg/m - 21.6 lbs/yd – 7.2 lbs/ft)	Approximate Total weight of installed fireplace
150 kg (330 lbs)	51.5 kg (114 lbs)	0- 2.43m(8') Min. height installation	4.6m to 4.9m (15' to 17') Max. 55.6 kg (123 lbs)	257.1kg (566 lbs)
150 kg (330 lbs)	51.5 kg (114 lbs)	750mm(29.5'') 50.3 kg (110 lbs)	10m (33') 108 kg (238 lbs)	360 kg (792 lbs)
150 kg (330 lbs)	51.5 kg (114 lbs)	4m Max. inside height install. Pipe 1.56m (61.5'')long 104.6 kg (230 lbs)	15m (50 Ft) 164 kg (360 lbs)	470 kg (1034 lbs)

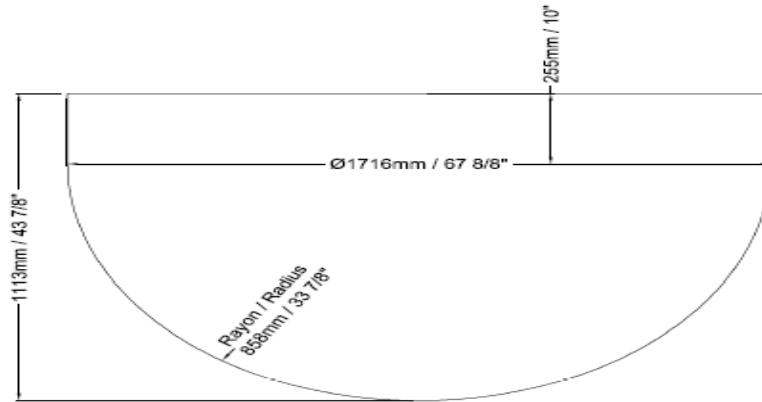
TABLE 2: WEIGHTS OF CEILING SUSPENDED LEA 998 FIREPLACES (Approx.)
 (with e.g. SECURE-TEMP S-2100 + - 50mm (2'') wall thickness chimney)
 (Height of installation floor to ceiling: Min. 2.43m (8') - Max. 4m (13'-1 1/2''))

Weight of fireplace	Load Bearing Support & Supporting frame	length of smoke pipe & weight of smoke pipe	Length of chimney & weight (16.5 kg/m - 33 lbs/yd –11 lbs/ft)	Approximate Total weight of installed fireplace
150 kg (330 lbs)	51.5 kg (114 lbs)	0- 2.43m(8') Min. height installation	4.6m to 4.9m (15' to 17') Max. 85 kg (187 lbs)	286.5 kg (631 lbs)
150 kg (330 lbs)	51.5 kg (114 lbs)	750mm(29.5'') 50.3kg (110 lbs)	10m (33') 165 kg (363 lbs)	417 kg (917 lbs)
150 kg (330 lbs)	51.5 kg (114 lbs)	4m Max. inside height install. Pipe 1.56m (61.5'')long 104.6 kg (230 lbs)	15m (50 Ft) 250 kg (550 lbs)	556 kg (1223 lbs)

2.2.2 Installation Of Hearth Extension

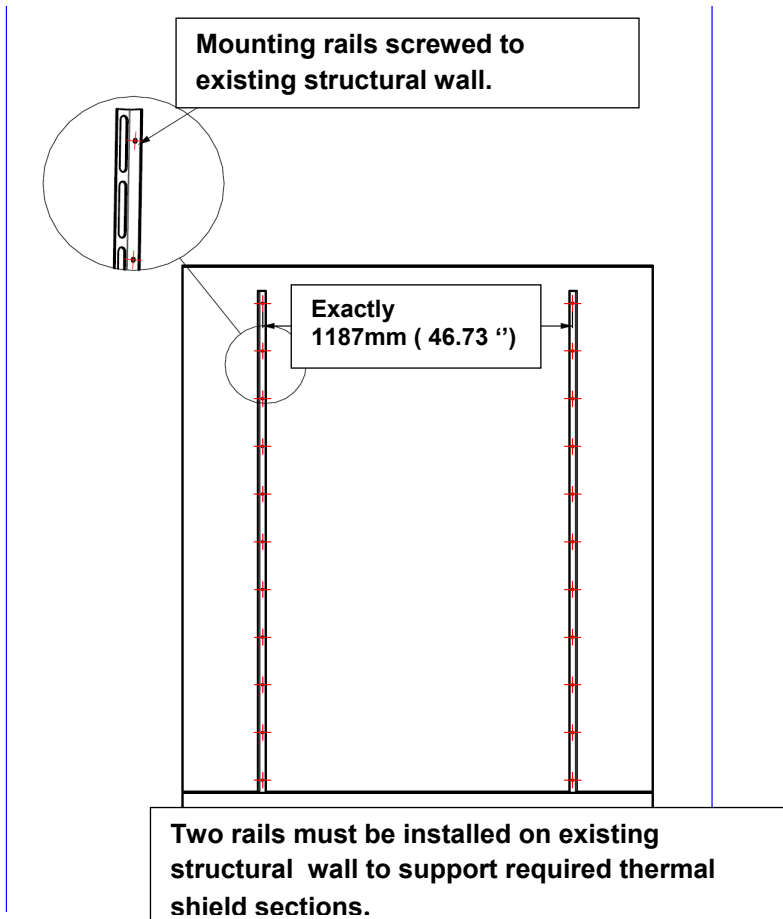
1. Remove all combustible floor coverings, e.g. carpeting, linoleum, etc., from the area under where the fireplace is to be installed.
2. Centered on the planned location of the fireplace, install, flush with the finished floor, a semi-circular hearth extension of 1.113m (43 7/8'') depth based on a radius of 858mm (33 7/8'') made of non-combustible material at least 9.5 mm (3/8'') thick (backed by a sheet metal plate if over a combustible structure) of approved non-combustible material such as ceramic tiles, stone, masonry or concrete flush with the floor. This conforms to applicable standards and is permitted since the bottom of the firebox opening is raised at least 203 mm (8'') above the top of the hearth extension.



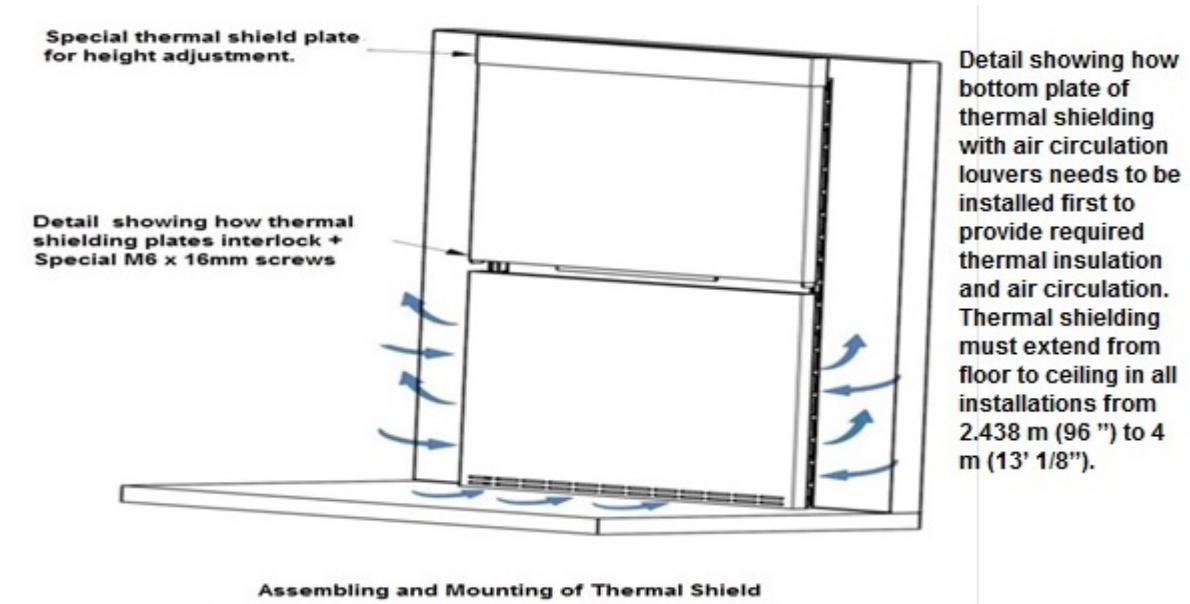


2.2.3 Thermal Shield Installation

1. Install the thermal shield support rails on a structural wall from floor to ceiling with an exact spacing of 1187mm (47.63") between the rails centered on the Load Bearing Support so that the fireplace will hang directly in the middle of the thermal shield and abut upon it.



2. Then hang and screw on the individual thermal shield panels as indicated in following illustration. Make sure that the louvered panel is the first to be installed at the bottom, then install the rest of the thermal shield panels which must extend from floor to ceiling in order to conform to applicable standards. At the top, use the adjustment panel as needed to close off the top of the thermal shield.



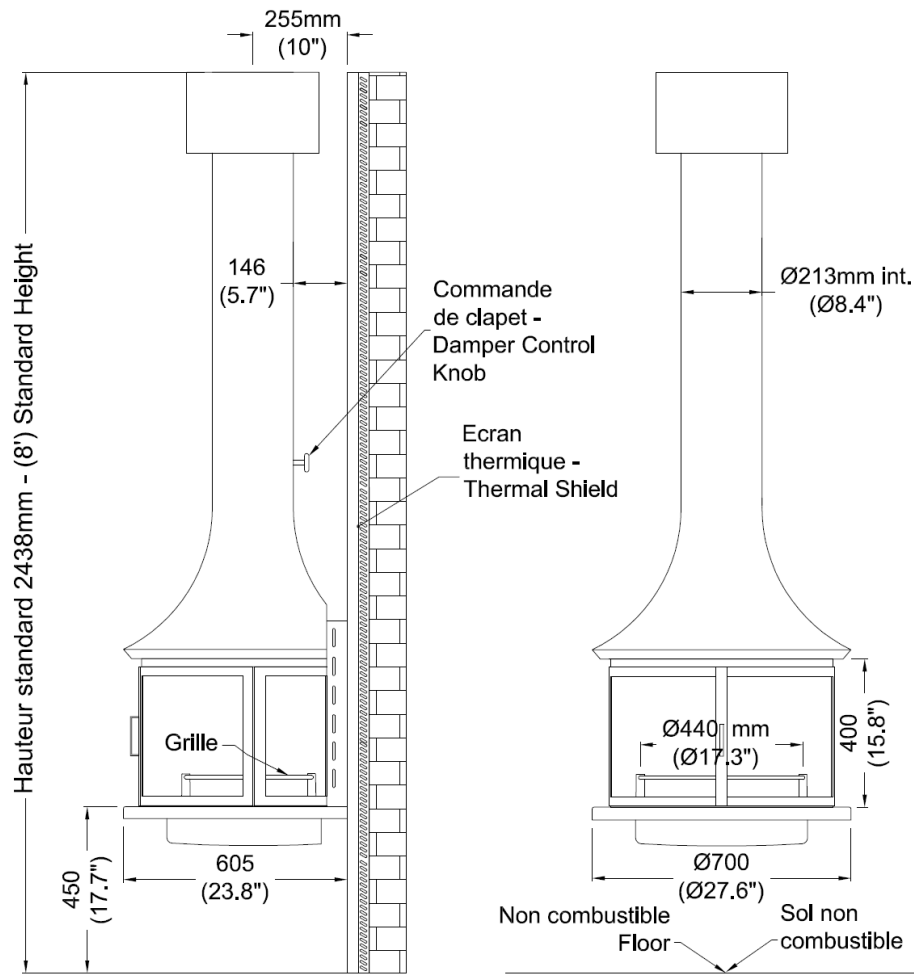
Thermal Shield Parts List

Image	Designation	Part Number
	Mounting Rail 200mm (8'') long	CARM200
	Mounting Rail 500mm (20'') long	CARM500
	Mounting Rail 1000mm (39 3/8'') long	CARM1000
	Thermal Shielding Plate 200mm (8'') high	CATI200
	Thermal Shielding Plate 500mm (20'') high	CATI500
	Thermal Shielding Plate 1000mm (39 3/8'') long	CATI1000
	Lower Thermal Shielding Plate	CATIB
	Adjusting Thermal Shielding Plate	CATIA

2.2.4 Installation of Smoke Pipe and Fireplace onto Load Bearing Support/Chimney Connector:

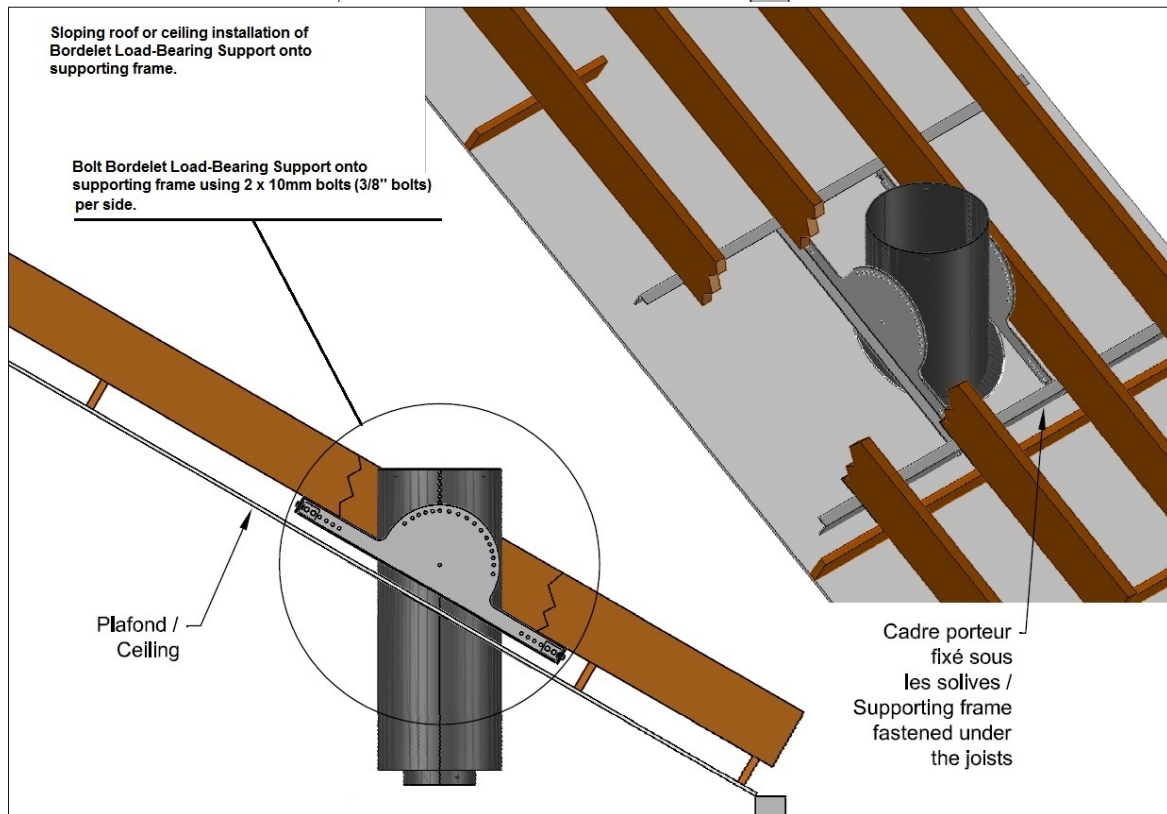
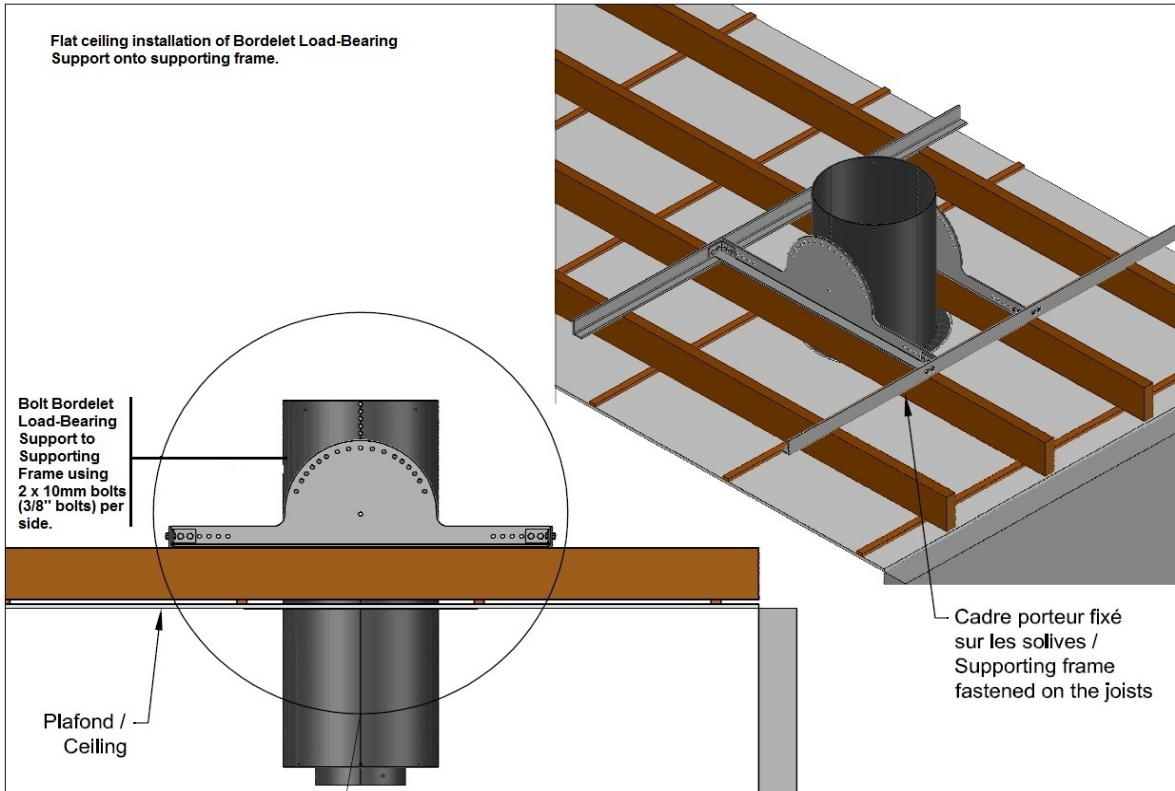
1. Make sure that the structure has been sufficiently reinforced with a 200% safety factor as detailed in 2.2.1. Install the supporting frame and Load Bearing Support/Chimney Connector above the ceiling making sure that it is properly situated and aligned so that when the installation is completed the fireplace will abut to the thermal shielding and be centered on it. Install the trim ring around the Load Bearing Support.
3. For added height, install the required length(s) of smoke pipe onto the Load Bearing Support up to a maximum installation height of 4 m (13'-1 1/2") from floor to ceiling.
4. During the installation, protect the glass fireplace doors and fixed glass panels from damage.
5. Before installing the fireplace on the smoke pipe, remove all possible internal components of the fireplace to lighten it.
6. Install the fireplace onto the smoke pipe with the top edge of the shelf of the fireplace 450mm (17-23/32") above the finished floor. Make sure that all the fasteners are tight.
7. To complete the installation, reinstall all the internal components of the fireplace.

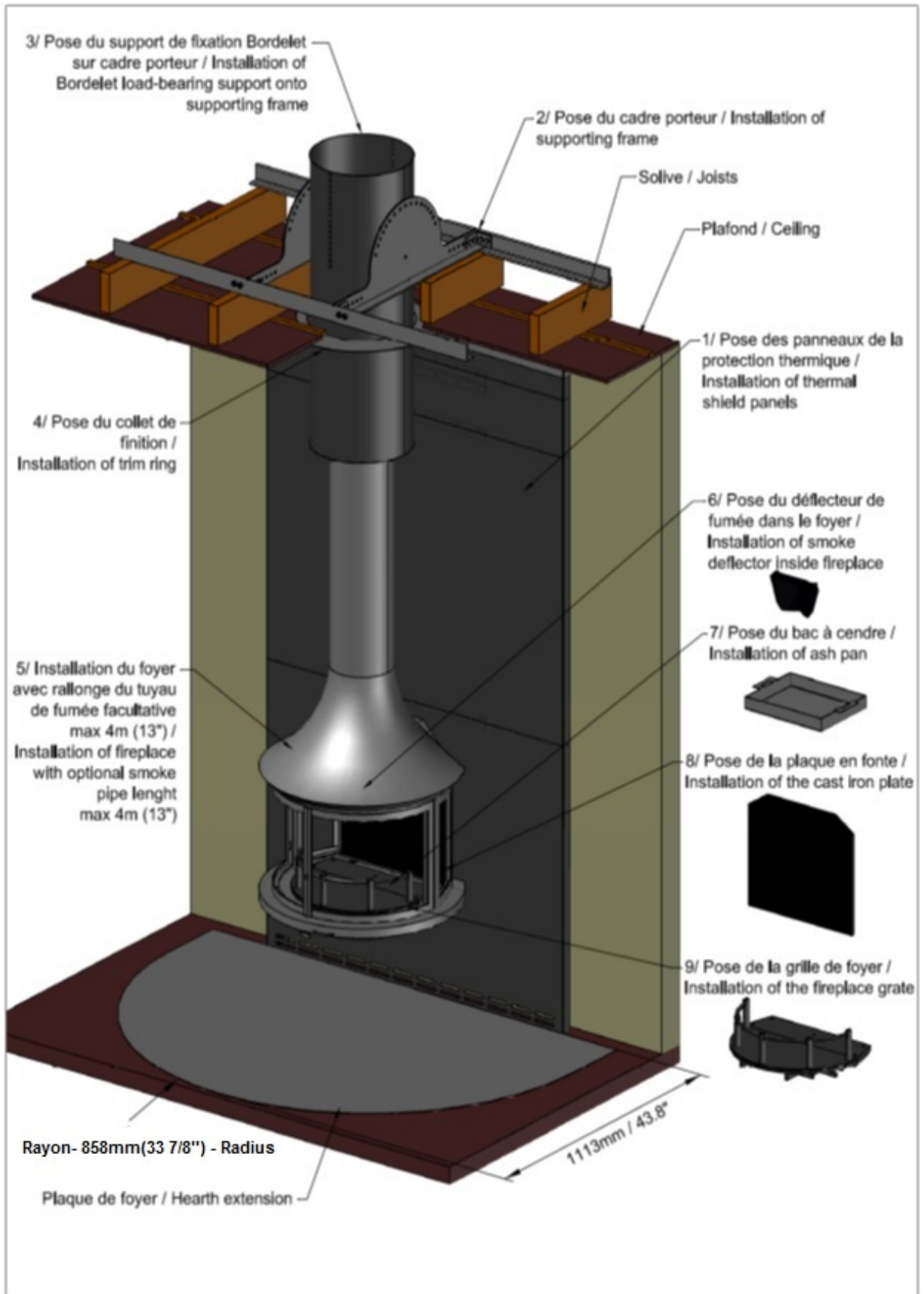
Typical Wall-Mounted fireplace installation



Warning: The LEA wall-mounted fireplaces must abut against a floor to ceiling JC Bordelet thermal shield and maintain a minimum clearance to combustibles of 1.2m (48") to the front and sides of the fireplace. For single wall smoke pipe, a minimum 45cm (18") clearance to combustibles to the front and sides of the the smoke pipe must be maintained and, to the the back, a clearance to the thermal shield of 14.6 cm (5-23/32"). When connected to the Bordelet Load Bearing Support, a minimum 22 cm (8 11/16") clearance from the top of the smoke pipe mounting flange to the ceiling must be maintained, especially with slanted ceilings. Adjust the height of the Load Bearing Support accordingly.

Warning: Do not install a fireplace insert or vented/unvented decorative gas fire logs inside this fireplace as this may result in an unsafe installation which may cause a fire resulting in loss of life or serious injuries and/or important material damages.





2.2.5 Chimney Installation:

1. . For optimum performance, the minimum chimney height from Load-Bearing Support to roof cap is 4.6m (15') to 5.2 m (17'). Additional height will increase draft and decrease the tendency to smoke. If only the minimum chimney height is installed, operating conditions must be optimal; interior chimney, minimum height of 45cm (18") of chimney before any offset, and total respect of the chimney manufacturer installation instructions. There is only one offset permitted in the whole chimney, only two 45° elbows are permitted with a straight section connecting them. The chimney must extend at least 915 mm (3') above its point of contact with the roof and at least 0.6 m (2') higher than any roof ,wall, or adjacent building within 3 m (10') of it. The maximum height of unguided chimney above the roof is 1.5m (5 ft).

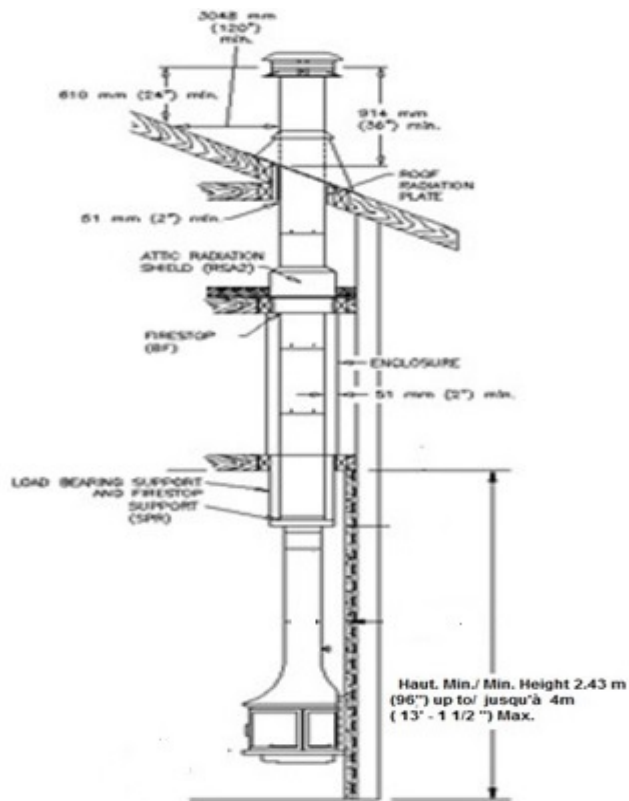
8"chimneys approved to CAN/ULC-S629-M87 Std. (Canadian installations)

Industrial Chimney Company.	Excel 203mm (8") (Ext.Dia.254mm(10"))		
Security Chimneys International	Secure Temp ASHT + 203mm (8") (Ext. Dia. 254mm(10"))	Secure Temp™ S2100+ 203mm (8") (Ext. Dia. 305mm (12"))	Oliver Mac Leod Projet Nova-Temp™ HT6100+ 203mm (8") (Ext. Dia. 305mm(12"))
Selkirk	SuperPro 2100 203mm (8") (Ext. Dia. 305mm(12"))	SuperVent 2100 203mm (8") (Ext. Dia. 305mm(12"))	Ultimate One 203mm (8") (Ext. Dia. 254mm(10"))
Selkirk (cont.d)	CF Sentinel 203mm (8") (Ext. Dia. 330mm(13"))		
Simpson DuraVent	DuraPlus HTC 203mm (8") (Ext. Dia. 305mm(12"))		

8"chimneys approved to UL-103HT Standard (USA installations)

Industrial Chimney Company.	Excel 203mm (8") (Listing # 5965) (Ext.Dia.254mm(10"))		
Security Chimneys International	Secure Temp ASHT + 203mm (8") (Ext.Dia.254mm(10"))		
Selkirk	SuperPro 2100 203mm (8") (Ext. Dia. 305mm(12"))	SuperVent 2100 203mm (8") (Ext. Dia. 305mm(12"))	Ultimate One 203mm (8") (Ext. Dia. 254mm(10"))
Selkirk (cont.d)	UltraTemp 203mm (8") (Ext. Dia. 254mm(10"))	SuperPro 203mm (8") Ext. Dia. 254mm(10"))	SuperVent 203mm (8") (Ext. Dia. 254mm(10"))
Simpson DuraVent	DuraPlus HTC 203mm (8") (Ext.Dia.305mm (12"))	DuraPlus 203mm (8") (Ext. Dia. 305mm(12"))	DuraTech 203mm (8") (Ext. Dia. 254mm(10"))

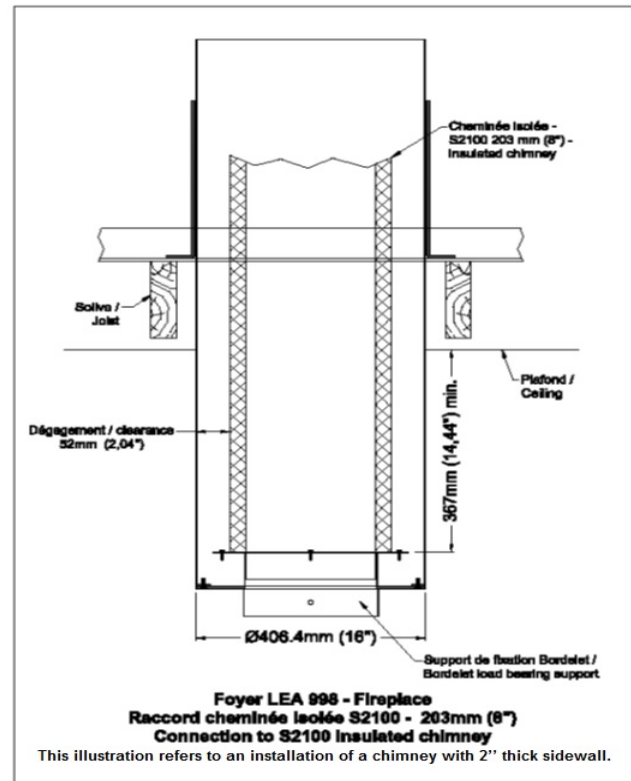
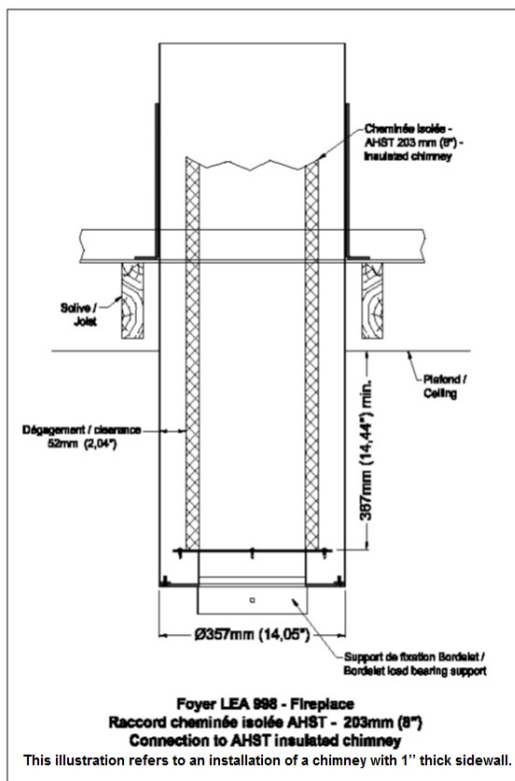
NOTE: NFPA 211 requires that all chimneys used on solid fuel residential applications to be listed to UL 103HT Standard



TYPICAL CONNECTION OF A BORDELET WALL-MOUNT FIREPLACE TO A PREFABRICATED 203mm (8") INTERNAL DIAM. CHIMNEY CONFORMING TO THE FOLLOWING STANDARDS:
IN CANADA: ULC S-629
IN THE U.S.A.: UL 103HT

Caution: A chimney servicing a fireplace shall not serve any other appliance. The chimney shall extend at least 915mm (3 ft) above its point of contact with the roof and at least 0.6 m (2') higher than any roof, wall, or adjacent building within 3m (10 ft) of it. The maximum height of unguided chimney above the roof is 1.5m (5 ft).

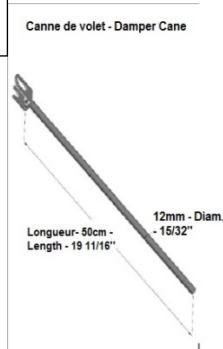
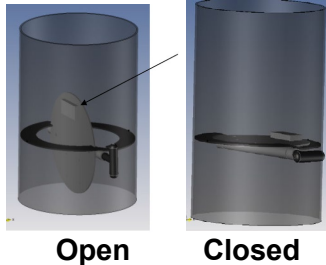
Warning: The installer must follow the chimney manufacturer's installation instructions to the letter. Failure to heed these instructions may cause a fire which could result in loss of life or serious injuries and/or important material damages.



2.3 OPERATING THE LEA 998 FIREPLACE

Before using the fireplace always open the smoke pipe damper (as shown on left) with damper cane.

Once the fire has died down and the fireplace is cool to the touch, close the smoke pipe damper (as shown on right) with damper cane.



Door latch shown open after using cool hand tool

2.3.1 Fuel

Whenever the fireplace is being prepared for use, make sure that the smoke pipe damper and combustion air control are fully open before lighting it. It will work best when fuelled with seasoned cordwood. Hardwoods are preferred to softwoods since the energy content of wood is relative to its density. Select therefore wood that has been air-dried under cover for at least two years and has a moisture content of 15% maximum. Hardwoods will result in a longer burning fire and less frequent refuelling. These hardwoods are highly recommended: maple, oak, hickory, beech, cherry and apple. These whitewoods are also recommended although they burn more quickly: ash, birch, cedar, elm, hemlock, pine, poplar, linden tree. Excessively wet or green wood is not recommended and will be extremely difficult to burn and will result in lower efficiency, increased creosoting and tarry deposits on the glass and in the chimney.

Caution: In order to prevent damage to the fireplace/chimney system, do not fuel it with scrap or garbage, wood chips or granules, sawdust, treated wood, painted wood, wood treated with creosote or chemicals, any paper or cardboard or construction material such as pressed wood, plywood, lumber or driftwood from the ocean which may contain salt or other chemicals which will corrode the metal components of the fireplace and chimney.

Warning: Do not burn coal as smouldering coal may create carbon monoxide causing illness or even death to human beings and pets. The sulphur in coal will also corrode the fireplace and smoke pipe.

Warning: Only place wood logs on top of the grate to allow proper combustion air flow and to prevent damage to the Vitroceram glass doors or fixed panels. Do not overfire this fireplace (Max.9 kg/20 lbs of firewood) as it may overheat causing a hazard, permanent damage to the fireplace or in the presence of creosote, even igniting a chimney fire which may destroy the chimney and damage the structure.

2.3.2 First Fires

The fresh paint on the fireplace needs to be cured to preserve its finish and quality. For the first 40 hours of operation, only burn small quantities of wood in the fireplace (max. 4.5kg/10 lbs) and do not build a full fire during this period. Always start your fires as stated in section 2.3.3. Even with a small fire, there will be a strong burnt odor and some smoke during the first fires so properly aerate the room where the fireplace is located. After the initial 40 hours of operation or once the smell of burning paint or grease is finally gone, at each fire gradually increase the quantity of wood being burnt to the maximum of 9kg (20lbs) to slowly cure the paint on the fireplace and smoke pipe.

2.3.3 Building a Fire

To start a fire, unlatch and open the doors with the cool hand tool, making sure that the ashes have cooled, clean-out surplus ash leaving a minimum 2.54cm (1") of ash to protect the grate. Open the smoke-pipe damper with the damper cane, crumple some newspaper only on top of the grate then, for quicker ignition, criss-cross several pieces of dry kindling in the firebox on top of the newspaper and light the newspaper. Once the newspaper and the kindling are well ignited, close and latch the doors with the cool hand tool and adjust the combustion air intake lever to its maximum position. Wait until the kindling fire has turned into a good bed of embers and, prior to reloading, with cool hand tool, unlatch and open the doors very slowly by 52 to 104 mm (2" to 4") for 10 seconds before opening them completely. This will increase the draft and eliminate any smoke which is stagnant in the fireplace. Make sure that the firewood is always on top of the grate. This will allow proper primary air flow and prevent damage to the glass doors or fixed glass panels. Stack some dry firewood on top of the embers and close and latch the doors with the cool hand tool. The unit will burn best with 2-3 pieces of firewood (Max. 9kg/20 lbs) spaced 1 to 2 inches apart to allow combustion air to get under and around the fuel. Adjust the combustion air intake lever from its maximum position to the mid position to vary the heat output.

2.3.4 Dangers of Creosote

When wood burns slowly or if it is not properly dry, it produces tar and other organic vapors which combine with humidity to produce creosote. Creosote vapor condenses in the chimney left relatively cool by the slow fire and coats the inside of the flue with a very flammable residue. When creosote ignites, it produces a red-hot, extremely dangerous fire which can damage the whole installation and even set fire to a home. At least once a week, it is recommended to make a brightly burning fire rather than a lazy, smoldering fire. Not only will it keep the glass doors, glass panels, smoke pipe and chimney cleaner but, what is most important, it will lessen the likelihood of chimney fires.

Caution: During the heating season, the chimney and smoke pipe need to be inspected at least twice to determine if a creosote or soot has built-up above the safe limit of 3mm (1/8"). If creosote or soot accumulation exceeds 3mm (1/8"), immediately have the chimney and smoke pipe swept to lessen the risk of a chimney fire.

2.3.5 Maintaining the Fire

Once the wood has been partially consumed and there is a good bed of embers, proceed to reload the fireplace. Open the air control to its maximum for approximately 15 seconds prior to opening the fireplace doors. Then, with cool hand tool unlatch and open the doors by 51 to 102 mm (2" to 4") for 10 seconds before opening them completely. This will increase the draft and thus eliminate the smoke which is stagnant in the fireplace. Then reload the grate of the fireplace with fresh wood. The Lea 998 fireplace will work best if a thick bed of hot embers is maintained in the bottom of the firebox, and two large or three medium pieces of seasoned wood are added (Max.9kg/20 lbs). Combustion efficiency is largely related to establishing a hot ember bed, and hot firebox temperatures. The quicker the fireplace and chimney get up to normal operating temperatures, the better. A small intense fire is preferable to a large smoldering fire, both to improve combustion efficiency and to reduce the amount of creosote build-up. The best performance will be obtained by adding fuel to a well-established ember bed, and then operating with the air inlet control open long enough to achieve a hot fire. Use a poker to make an air channel in the embers below the wood to allow combustion air to flow under the wood for a more efficient burn. Once the desired intensity of fire has been reached, the combustion air control can be set to a medium setting, this will result in cleaner glass, less creosoting, greater efficiency and a longer lasting fire.

2.3.6 Combustion Air

As is common with closed fireplaces, the combustion air control, located below the door, sets the flow of air entering the firebox which allows for a more precise control of the fire. The quantity of combustion air entering the firebox can be increased by moving the combustion air control from the right (min.) fully to the left (max.). The combustion air control and smoke pipe damper should be in the closed position when the fireplace is not in use to minimize air leakage up the chimney. In preparation for using or cleaning out the fireplace and before opening the doors with the cool hand tool, open the combustion air control fully to minimize the possibility of a back draft coming from the fireplace into the room and blowing ashes all over the floor.



2.3.7 Combustion Settings

Accelerated Combustion:

The maximum heat output for the Lea 998 fireplace is achieved with the combustion air control fully opened. By this method, the fireplace can produce a maximum heat output of 46,000 BTU/hr with 2 large or 3 medium size pieces of wood (Max.9kg/20 lbs). However, it will be necessary to reload with wood every 2-3 hours. Use caution when firing with the combustion air control fully open. Only burn cordwood in this manner. Small dry pieces of softwood will burn very intensely using this method and may damage the fireplace or Vitroceram glass doors and glass fixed panels.

Medium Combustion:

This is the recommended mode for operating the Lea 998 fireplace and should be the one normally used since it will deposit the least amount of creosote on the glass doors and fixed panels and in the chimney. The combustion air control should be set to half-open as a starting point. The most efficient setting will vary depending on many factors including chimney length and the moisture content of the wood. For instance, a longer chimney will necessitate adjusting the combustion air control between quarter open to half-open to obtain proper combustion. Two large or three medium size pieces of firewood (Max.9kg/20 lbs) should be burning over a bed of hot coals. The heat output will be approximately 20,000 BTU/hr and the reloading time will be about every 3-4 hours. Softwoods may be burned using this method but the reloading intervals will be shorter.

Slow Combustion: (Not Recommended)

When the air combustion control is nearly closed, the fireplace is in a slow combustion phase. If the heart is hot enough, slow combustion will not stop the fire, but there will be a noticeable change in the flame pattern. The flames will be slow and may appear dirty if the wood is too wet (moisture content of 20% and more). This method of operation is not recommended and will produce excessive creosote in the fireplace, smoke pipe and chimney. Creosote may also accumulate on the glass doors and fixed glass panels.

2.3.8 The Use of Composite Ecological Logs

Ecological logs made of 100% wood residues do not pose a threat to your fireplace. However, they must be used carefully. Ecological logs typically release a much larger heat output over a short period of time and it is not possible to place a large quantity of such logs into the fireplace. At medium setting, one 1.37Kg (3 lbs) ecological fire log gives off 7,700 btu/hr over a 3-4 hour burn period, for safety, only load a maximum of five fire logs (Max. 6.8kg/15 lbs) into the LEA 998.

WARNING: Use only ecological logs meeting the requirements of ULC/ORD-C127-M1990, Composite Fire logs. Prior to use, refer to the fire log warning and cautions as indicated on the packaging. Do not poke or stir ecological fire logs while they are burning. Burning more than of five fire logs (Max. 6.8kg/15 lbs) of fire logs at one time can overheat and damage the LEA fireplace and chimney.

2.3.9 Smoking - Causes and Troubleshooting

Your fireplace has been designed and tested to provide smoke free operation. To reduce the likelihood of smoking when opening the doors, set the combustion air controls to full open before opening the doors. Occasionally, there may be a small amount of smoking upon lighting the fire, until the chimney heats up but this should not continue. If the fireplace continues to smoke it is probably for one of the following reasons:

A. Negative pressure in the house: As the fire burns, air is needed to support combustion and the products of combustion go up the chimney. If there is an insufficient replenishment of combustion air through leakage into the house, the fireplace will start to smoke. To temporarily create a combustion air supply, open a window nearby, if this eliminates the smoke, the house is under negative pressure. This can be corrected by installing an Outside Combustion Air intake. Call a contractor to install an Outside Combustion Air intake of 100 mm (4") in diam. with a maximum length of 4 m (13'-1/8"). If a longer length is needed, go to a 155mm (6") pipe up to max. length of 6 m (20'). In snowy climates, the air intake hood should be located 30cm (12") above the maximum snow level for that climate or a minimum 1.2m (48") above ground level and be sheltered from high winds. Place the exit of the combustion air intake in the room where the fireplace is installed or in an adjacent connecting room as per ANSI Z 223.1/NFPA 54.

Caution: The Outside Combustion Air intake must not come from an attic, garage, carport, basement, the chimney's enclosure or be less than 3m (10') from a gas meter, a fuel/propane tank or any other device that may emit fumes or gases, such as the exhaust of a motor vehicle.

B. Fans operating: (e.g.: range hood, bathroom exhaust fan, clothes dryer)

These fans draw air out of the house and may actually cause a negative pressure in the house. Turn off all fans and clothes dryer(s) when the fireplace is in operation.

C. Wet wood: Wet or tarred wood will smoulder and smoke instead of burning properly.

D. Dirty or blocked chimney: Check to make sure the chimney is clear and clean.

E. Chimney not long enough: The chimney must extend at least 915 mm (3') above its point of contact with the roof and at least 0.6 m (2') higher than any roof or wall within 3 m (10') of it. When installed with offsets, only two 45° elbows permitted, the minimum system height is 4.6m (15') to 5.2 m (17'). Additional height will increase draft and will decrease the tendency to smoke. If only the minimum chimney height is installed, operating conditions must be optimal; interior chimney, minimum height of 45cm (18") of smoke pipe before any offset, and total respect of the chimney manufacturer installation instructions.

F. Poor chimney draft: With proper chimney draft and no fire, there should be sufficient draft to exhaust cigarette smoke introduced into the fireplace. In areas where the outdoor temperature may fall to -18°C(0° F) or below , the use of an exterior chimney without an insulated enclosure will result in operating problems such as difficult fire ignition, down-drafting and flow reversal, backdraft of smoke, poor draft, excessive condensation of combustion products and rapid accumulation of creosote when connected to a wood burning fireplace. As a precaution, always provide a properly insulated enclosure around the chimney if it is outdoors. Even with a properly insulated enclosure around the chimney, there might still be draft problems caused by extremely cold weather. To correct this, it is recommended to preheat the chimney by holding a lit rolled up newspaper inside the fireplace towards the smoke pipe until the draft is sufficient and then start the fire.

2.4 MAINTAINING THE LEA FIREPLACE AND CHIMNEY

2.4.1 Fireplace and Chimney Maintenance

Regular chimney inspection and maintenance before and during the heating season combined with proper operation will prevent chimney fires.

2.4.2 Annual and Seasonal Inspections

1. Before the heating season, have a chimney sweep or authorized service person inspect the interior and exterior of the fireplace, smoke pipe and chimney to make sure that all of the components are solidly secured and leakproof, that there is no deterioration or obstructions such as bird nests, etc. If there is a build-up of creosote above 3mm (1/8"), have the smoke pipe, smoke pipe damper and chimney swept using a stiff plastic or non-metallic brush to prevent damaging or scratching the stainless steel interior of the chimney. Also have him clean out any accumulation of ash in the ash pan below the two-piece grate.

Note: The rain cap must be removed for inspection and/or cleaning of the chimney.

2. During the heating season have the smoke pipe/chimney system inspected twice. Do not allow more than 3 mm (1/8") creosote build-up in the smoke pipe and chimney. The amount of creosote accumulation will depend on variables such as frequency of use and type of fire. In the presence of a build-up of more than 3 mm (1/8") of creosote, have the smoke-pipe damper, smoke pipe and chimney swept by a qualified chimney sweep only using a stiff plastic or non-metallic brush. After he has finished sweeping the smoke pipe/chimney system, he must also verify that all of it's components are solidly secured and leakproof.

3. Do not expect chemical cleaners to keep your chimney clean.

2.4.3 Care and Cleaning of the exterior of the Fireplace

1. Do not attempt to clean the painted surfaces of the fireplace, smoke pipe or Load Bearing Support until the paint is well cured after several fires as this may damage the factory applied finish which is not covered under warranty. Before cleaning, wait until all the components are cool to the touch and then clean with a soft humid sponge. Do not use any metal polish or abrasives. Do not touch, rub or try to clean the fireplace and smoke pipe when hot. For deep scratches, touch them up with heat resistant paint as supplied by JC Bordelet S.A.S.

2.4.4 Ash Disposal

As a precaution, do not attempt to clean out the fireplace when the unit is hot. Wait until the ashes and the internal components have thoroughly cooled (min. 24 hours) before removing the ashes from the fireplace.

1. Fully open the doors with the cool hand tool and make sure that the two-piece grate and all cinders have thoroughly cooled .
2. Using an all-metal industrial type vacuum cleaner such as a Charlescraft Bad Ash 2, clean out the ashes on top of the grate. Then immediately empty the vacuum cleaner into a metal ash container with a tight fitting lid. The closed ash container should then be placed on a non-combustible floor or on the ground outside, well away from combustible materials pending final disposal. If the ashes are to be disposed of by burial in soil or otherwise locally dispersed they should be retained in the closed container until all cinders have thoroughly cooled.
3. Close and latch the doors with the cool hand tool.

Note: At least twice a year, have a chimney sweep or authorized service person clean out any accumulation of ash in the ash pan below the two-piece grate.



2.4.5 INSTALLING OR REPLACING GLASS IN DOORS AND FIXED PANELS

Do not use the fireplace with a cracked or broken glass door or fixed glass panel. Contact an authorized JC Bordelet S.A.S. installer who will order the replacement parts and install them.

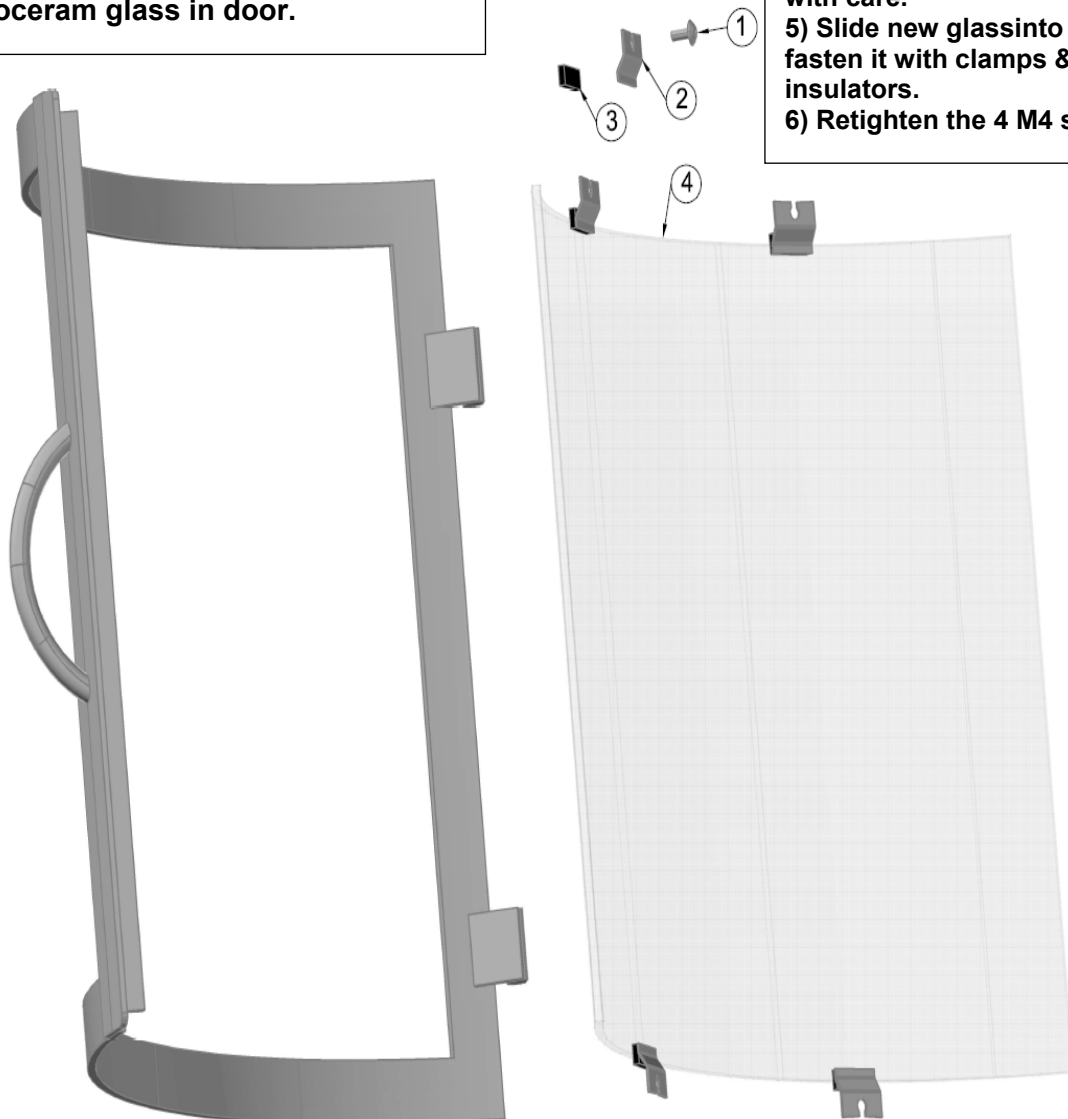
Caution: Only use 4 mm (5/32") Vitroceram glass doors or fixed panels made by JC Bordelet S.A.S. and able to resist temperatures that can reach 750°C (1382°F).

Follow these steps to install or replace the glass in Vitroceram glass doors of a Lea 998 fireplace:
(N.B. For a new installation, start at step 5 and always use protective gloves to handle glass.)

1. Loosen the four M4 screws.
2. Remove the clamps holding the glass panel in the frame.
3. Recupérate the rubber insulators.
4. To avoid injury, use protective gloves with extreme care to remove the broken glass.
5. Slide the new glass into the frame and fasten it in place with the clamps and rubber insulators.
6. Install the four M4 screws (new installation) or retighten the four M4 screws when replacing.

NOTE: Never use substitute parts. Use only Bordelet brand parts.

Removal and replacement of broken Vitroceram glass in door.



- 1) Loosen 4x M4 screws.
- 2) Remove the clamps.
- 3) Recupérate the rubber insulators.
- 4) Remove the broken glass with care.
- 5) Slide new glass into frame & fasten it with clamps & rubber insulators.
- 6) Retighten the 4 M4 screws.

Follow these steps to install or replace the glass in Vitroceram fixed panels of a Lea 998 fireplace:
(N.B. --For a new installation, start at step 6 and always use protective gloves to handle glass.)

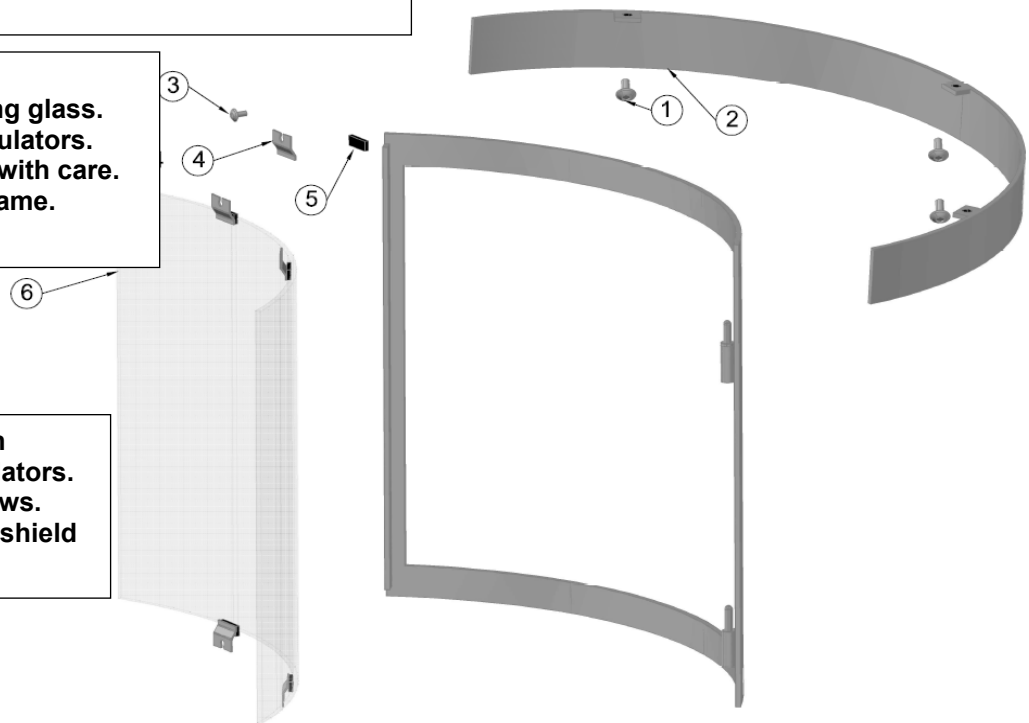
1. Remove the 3 screws holding the glass upper shield and remove the shield.
 2. Loosen the four M4 screws.
 3. Remove the clamps holding the glass panel in the frame.
 4. Recuperate the rubber insulators.
 5. To avoid injury, use protective gloves with extreme care to remove the broken glass.
 6. Slide the new glass into the frame and fasten it in place with the clamps and rubber insulators.
 7. Install the four M4 screws (new installation) or retighten the four M4 screws when replacing.
 8. For new installation, install the glass upper shield and the three screws holding it.
 9. During replacement, reinstall the glass upper shield and the three screws holding it.
- NOTE: Never use substitute parts. Use only Bordelet brand parts.

Removal and replacement of broken Vitroceram glass in fixed panel.

1) Remove the 3 screws holding upper shield and remove shield.

- 2) Loosen 4 x M4 screws
3) Remove clamps holding glass.
4) Recuperate rubber insulators.
5) Remove broken glass with care.
6) Slide new glass into frame.

- 6) Fasten new glass with clamps and rubber insulators.
7) Retighten 4 x M4 screws.
8) Reinstall glass upper shield & 3 screws holding it.



2.4.6 Glass Care-Cleaning

1. Keep the glass relatively clean. Dirty glass doors and fixed panels will make the fireplace overheat. Wait until the glass is cool before attempting to clean it. Wash the glass with window or oven cleaner, dishwashing liquid or just soap and water. Spray the cleaner on a soft cloth and not on the glass, since overspray may discolor the painted finish (not covered by the warranty). DO NOT use steel wool, soap pads (S.O.S.) or any other abrasive product since these may scratch the glass.

2.4.7 Dealing with a Chimney Fire

Regular chimney maintenance and inspection can prevent chimney fires. If a chimney fire occurs, follow these steps:

1. Keep the fireplace doors closed and close the combustion air control;
2. Alert your family to the possible danger and move them to safety;
3. Call the local fire department immediately;
4. If possible, use a dry chemical fire extinguisher, baking soda or sand to control the fire.

Do not use water as it may cause a dangerous steam explosion;

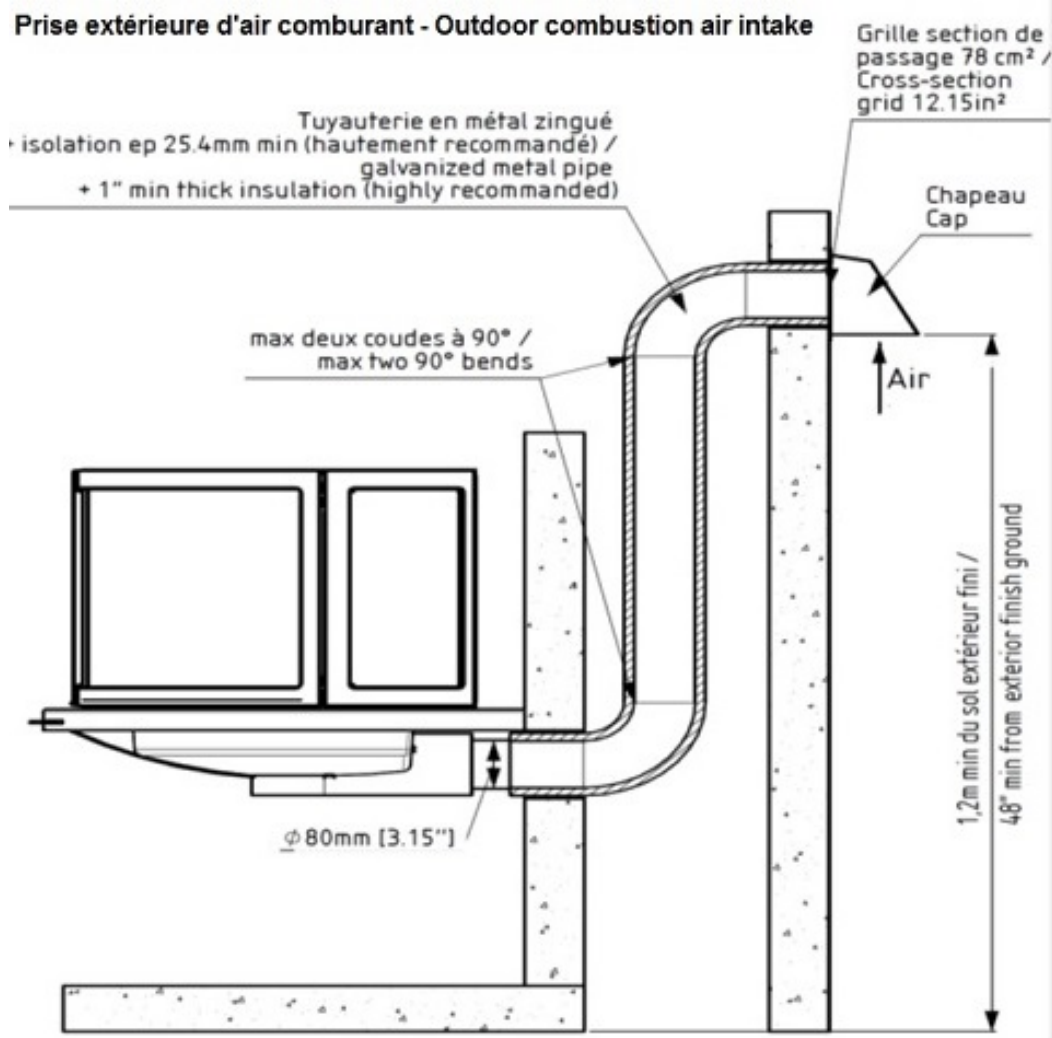
5. Watch for smouldering or fire next to the fireplace, smoke pipe and chimney;
6. Step outside to make sure that sparks and hot embers coming out of the chimney are not setting fire to the roof;
6. Do not use the fireplace again until the chimney and fireplace have been inspected by a Fire Department Inspector.

Caution: Always keep furniture, draperies, and extra logs or combustibles a minimum 1.2 m (48") away from the fireplace.

2.4.8 Outdoor Combustion Air Intake

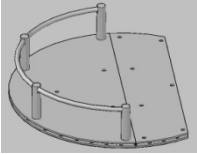
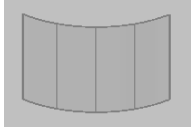
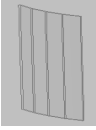
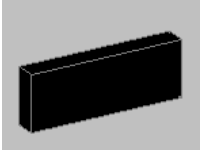
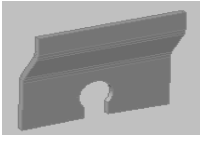
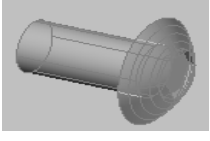

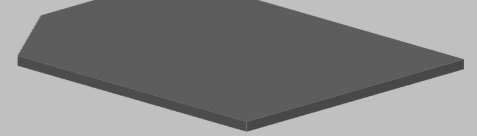
In snowy climates, the air intake hood should be located 30cm (12") above the maximum snow level for that climate or a minimum 1.2m (48") above ground level and be sheltered from high winds. Place the exit of the combustion air intake in the room where the fireplace is installed or in an adjacent connecting room as per ANSI Z 223.1/NFPA 54.

Prise extérieure d'air comburant - Outdoor combustion air intake



Caution: the Outside Combustion Air intake must not come from an attic, garage, carport, basement, the chimney's enclosure or be less than 3m (10') from a gas meter, a fuel/propane tank or any other device that may emit fumes or gases, such as the exhaust of a motor vehicle.

2.4.9 Replacement Parts List for LEA 998 Wall-Mounted Fireplace

Drawing	Part Name	Part Number
	Grate for LEA 998 Wall-Mount	AGF998M
	Vitroceram Door Glass Panel -LEA Wall-Mount	VP998
	Vitroceram Fixed Glass Panel - LEA Wall-Mount	VC998M
	Rubber Insulator for all LEA models	CA99801
	Glass Clamp for all LEA models	CA99802
	Screw TB M5x10mm for all LEA models	CA998-025
	Cast Iron Plate- LEA Wall-Mount	PLF998
	Insulating Plate - LEA Wall-Mount	CA99803

BORDELET INDUSTRIE S.A.S. NORTH-AMERICAN WARRANTY

LIMITED WARRANTY

The warranty of the manufacturer extends only to the original purchaser and is not transferable. It takes effect upon completion of the installation of the fireplace by an authorized qualified installer and a copy of the Installation, Operation and Maintenance Manual must be left with the original purchaser at the same time. This warranty covers only new products, which have not been altered, modified or repaired since leaving the factory. Proof of purchase (original dated invoice), model name and serial number must be supplied when making any warranty claim to the **local Bordelet Industrie S.A.S. distributor**.

This warranty applies to normal residential use only. Damages caused by misuse, abuse, improper installation, lack of maintenance, over firing, negligence or accident during transportation, down-drafts, or venting problems are not covered by this warranty.

An authorized qualified installer must perform the installation in accordance with the instructions supplied with this product and all Local and National building codes. The installer must also verify that the chimney used to vent the products of combustion and all its supports and firebreaks meet all codes and standards and that the chimney's base will be mounted on a JC Bordelet Load bearing Support which will also provide adequate mounting and support for the fireplace suspended from it. The authorized qualified installer will be held solely responsible for any improper installations not in conformance with the ULC-S610 and UL127 standards and Local and National building codes, the supplied installation, operation and maintenance manual and shoddy or negligent workmanship.

The manufacturer may require that defective products be returned to the **local Bordelet Industrie S.A.S. distributor** to support the claim. Returned products are to be shipped prepaid to the distributor for investigation. If the product(s) is/are found to be defective, **Bordelet Industrie S.A.S.** will, at their option, repair or replace such defective product(s). The product(s) will be shipped back to the original purchaser freight collect. Repair work done under warranty, executed at the original purchaser's home by an authorized qualified installer requires the prior approval of the **local Bordelet Industrie S.A.S. distributor**. **Bordelet Industrie S.A.S.** and its distributor will not be liable for any and all labour and traveling or shipping costs associated with the repair, removal, reinstallation of any one of its fireplaces or individual component nor administration fees incurred by the original purchaser.

The manufacturer, **Bordelet Industrie S.A.S.**, at its discretion, may decide to repair or replace any part or unit after inspection and investigation of the defect. Additionally, **Bordelet Industrie S.A.S.** may, at its discretion, fully discharge all obligations with respect to this warranty by refunding the wholesale price of any warranted but defective parts. **Bordelet Industrie S.A.S.** shall in no event be responsible for any special, indirect, consequential damages of any nature, which are in excess of the original purchase price of the product.

WARRANTY COVERAGE

Five Years from date of installation:

All components incorporated in the fireplace at the factory.

One Year from date of installation:

Heat Deflector, Cast Iron & Insulating Plates, Ash Pan, Grate, Decorative Trims and surrounds.

EXCLUSIONS:

This warranty does not cover Vitroceram glass in doors and fixed panels, paint (peeling or discolored), door gaskets, Also this warranty does not cover any corrosion due to a saline or corrosive environment, distortion, scratches or discoloration due to over firing, damages incurred during shipping, nor any damages caused by improper assembly or mounting or improper use of the fireplace. Any defect or damage caused by the use of unauthorized parts or other than original parts void this warranty. Any service call related to an improper installation or use is not covered by this warranty.

The original purchaser can register his warranty by sending, within ten days from date of installation, the attached warranty card to the **local Bordelet Industrie S.A.S. distributor** whose name and address will be furnished by the authorized installer.

If during the warranty period the fireplace or a component ever becomes defective, the original purchaser must provide the following information when contacting his **Bordelet Industrie S.A.S.** installer:

His name, address and telephone number; a copy of the installer's invoice showing the date of installation and the model name and serial number of the fireplace, also he must verify that the same information appears on the nameplate affixed to the fireplace and any other information that might help in identifying the nature of the problem.

All implied warranties of merchantability and fitness for a particular use or purpose are hereby disclaimed with respect to all buyers/users. Some provinces and states do not allow the exclusion or limitation of incidental or consequential damages so the above limitations might not apply.

This warranty replaces any other expressed or implicit warranty and constitutes the sole obligation of **Bordelet Industrie S.A.S.** towards the original purchaser. This warranty does not cover cost of removal, reinstallation or shipping to repair or replace the defective part(s) nor administration fees incurred by the original purchaser.

Bordelet Industrie S.A.S. reserves the right to make modifications in the design, construction, or material which in it's judgment constitutes an improvement over previous design or manufacturing practices.

This warranty is only valid for installations made within the territorial limits of Canada or the Continental United States. In order to benefit from this warranty, the original purchaser must first receive a written return authorization from the **local Bordelet Industrie S.A.S. distributor** and work with the original installer to ship, any and all defective parts, freight prepaid back to the distributor.

Warranty Card

Date of manufacture: yr _____ /mm _____ /dd _____

Date of installation: yr _____ /mm _____ /dd _____

Model number: _____

Name and address of original purchaser:

Signature: _____

Always include a copy of the bill of sales showing the date of installation