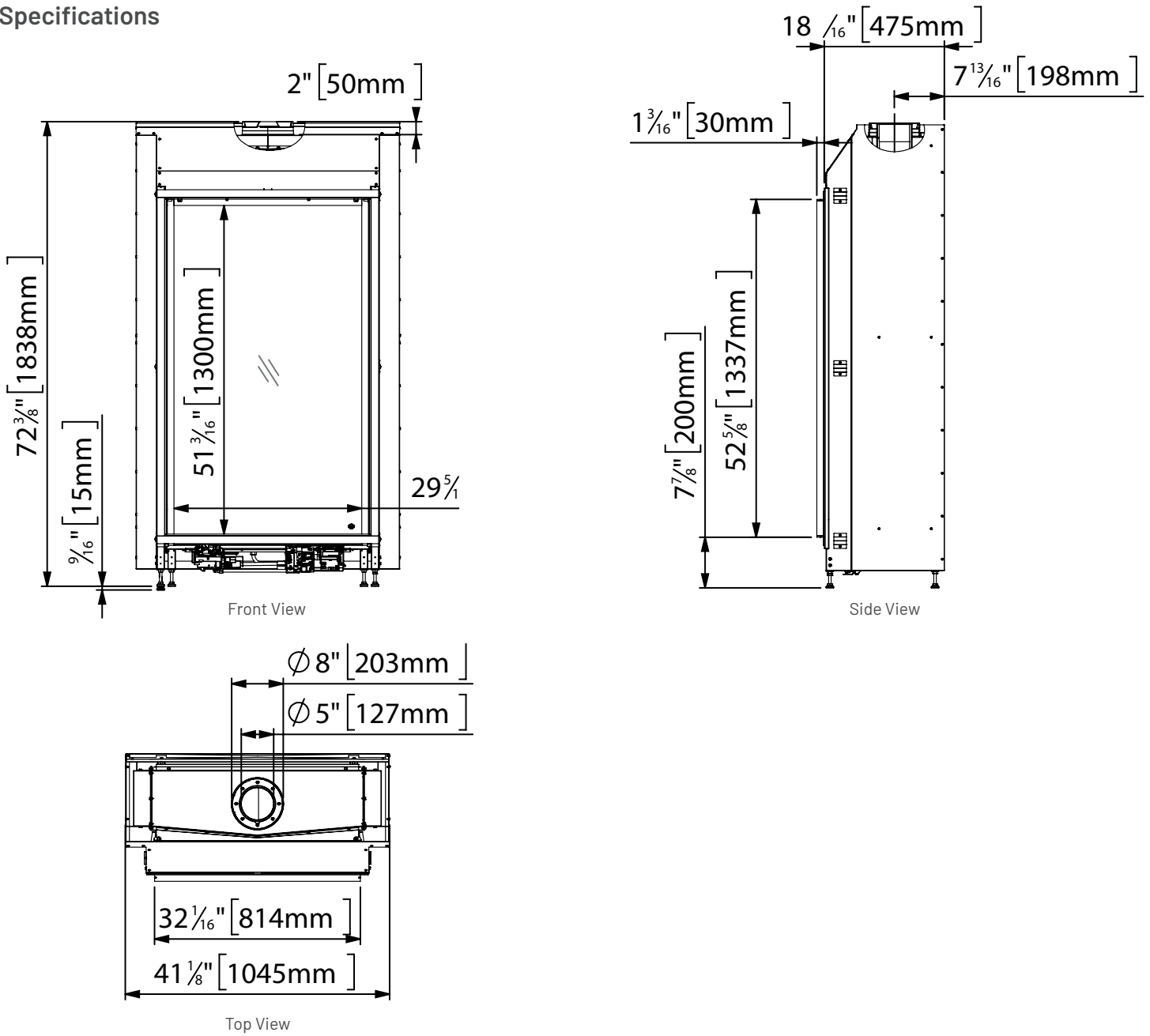




Model: **Prestige® 42 Tall**

Specifications



BTU				EFFICIENCY	MINIMUM FRAMING DIMENSIONS			WEIGHT
Max NG	Max LP	Min NG	Min LP	Steady State	Width	Depth	Height	Lbs
44,040	46,771	10,200	11,266	77%	41.25"	19"	88.5"	644

GLASS			OVERALL DIMENSIONS			VENTING		
Type	Dimensions	Area sq in	Width	Depth	Height	Type	Int./Ext. Diameter	Min./Max. Height
Ceramic	29.3125" L x 51.1875" H	1,500	41.125"	19.875"	72.375"	Direct	5" / 8"	3 Feet / 42 Feet



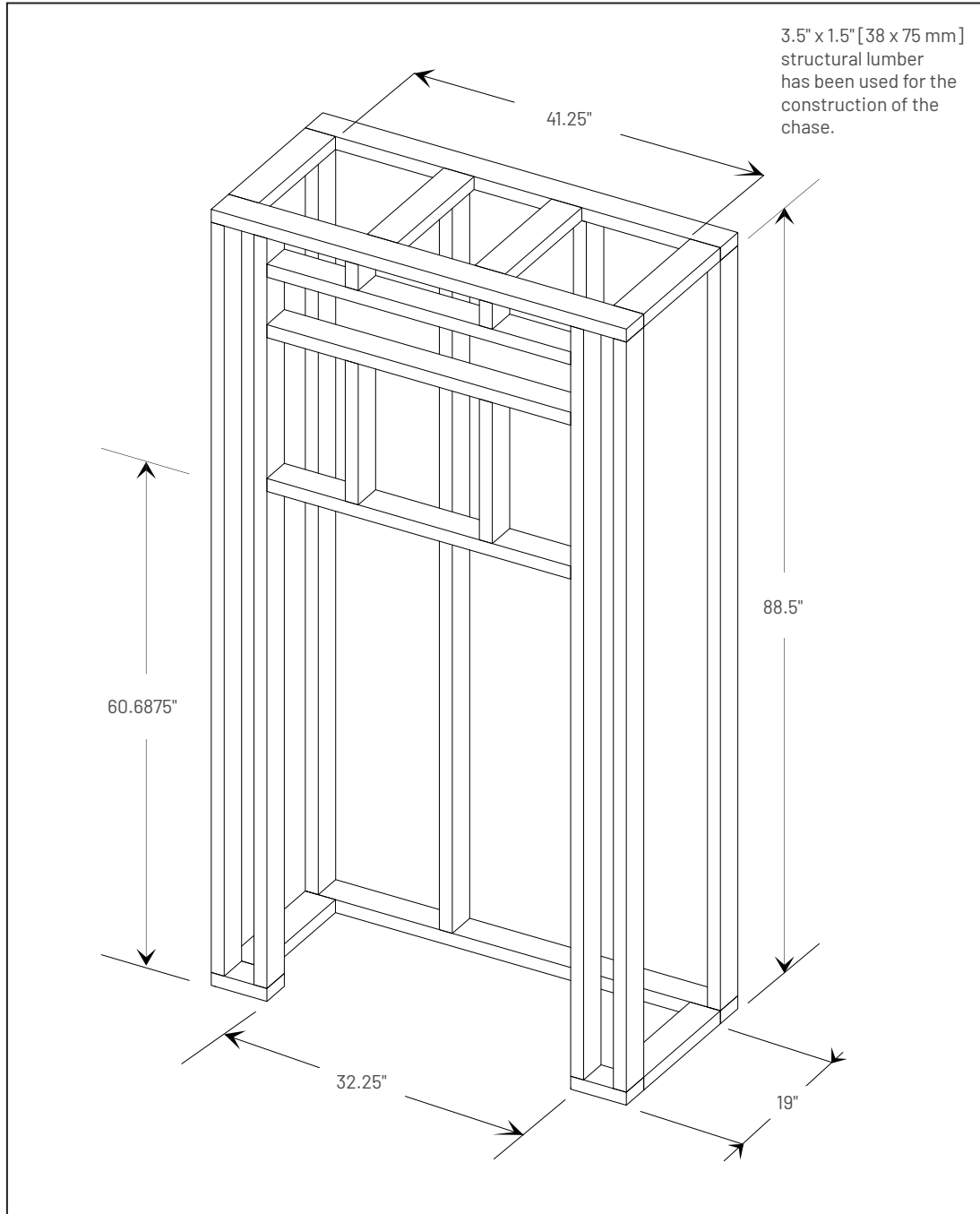
AMBIANCE®

FIREPLACES | BBQ | OUTDOORS | SPAS

Prestige®
GAS COLLECTION

Model: Prestige® 42 Tall

Framing and Clearances





Model: Prestige® 42 Tall

Framing and Clearances

10.5.4 Minimum framing dimensions

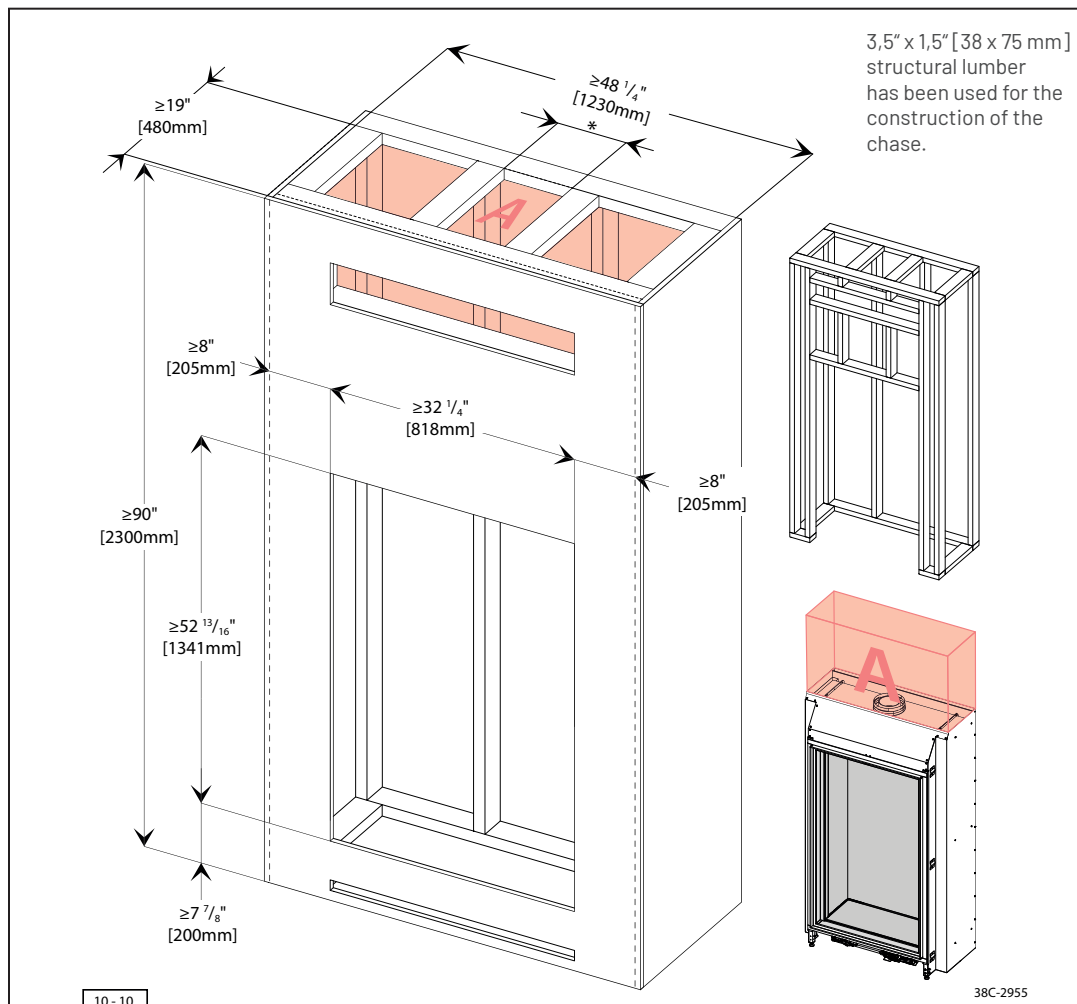
There are multiple options for the size and design of the chase and framing. The framing must always comply with the minimum and maximum dimensions specified (see Fig. 10-10).

The chase framing and finishing materials must remain within the depth of the construction frame (see Fig. 10-10, Region A). The framing and finishing around the built-in frame must be constructed in such a way that there is a gap of $\frac{1}{8}$ " [2mm] (see Fig. 10-11, detail A) between the construction frame and the construction materials. This gap allows for an unobstructed expansion of the appliance while in use without damaging the chase and/or appliance itself (see Figs. 10-10 and 10-11).



WARNING

- The top side of the appliance beyond the vertical lip on the angled panel must remain completely free of any materials at all times. No building materials may be placed in this area between the appliance and the top of the chase (see Fig. 10-10, Region A).
- This appliance features a built-in pressure relief system located inside the zero-clearance shell. To guarantee proper operation, the space above the appliance must remain free of any (building) materials at all times (see Fig. 10-10, Region A).



* Size in accordance with the flue manufacturer's specifications.



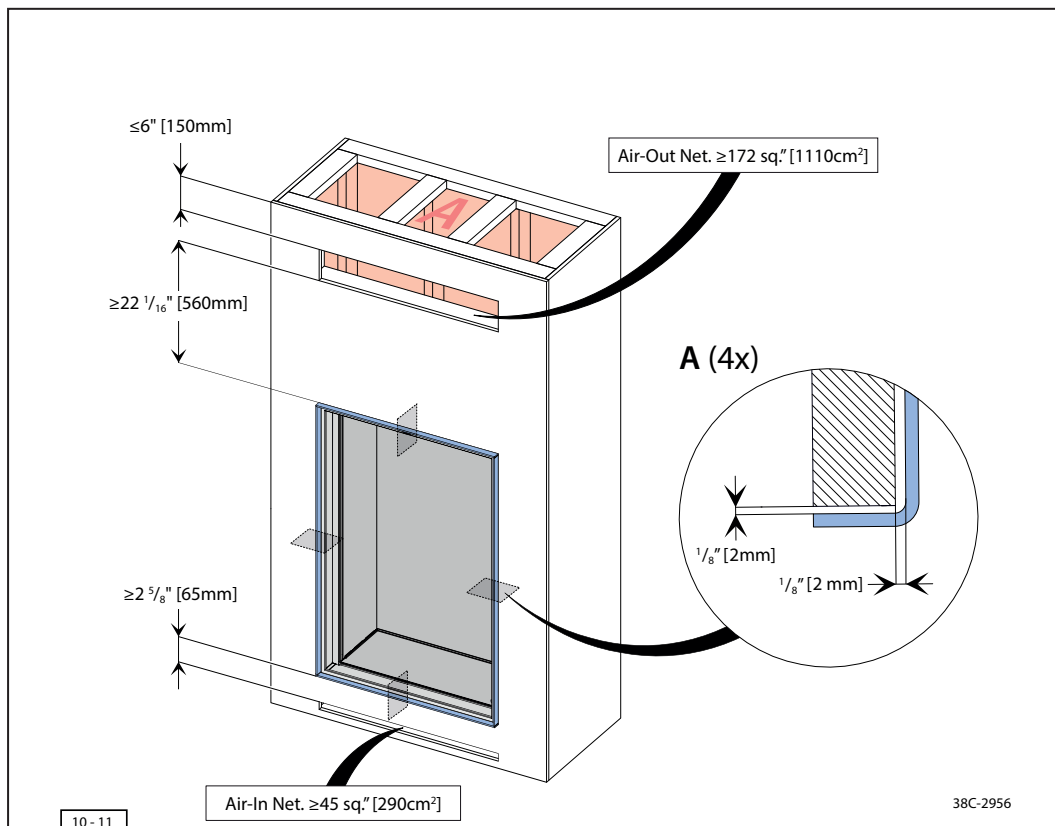
Model: Prestige® 42 Tall

10.5.5 Heat release and air intake

For appropriate ventilation, provisions for heat release and air intake must be made in accordance with Fig. 10-11.

ⓘ CAUTION

- Heat release and air intake openings must not be covered or blocked.
- The heat release and air intake pictured in Figure 10-11 are a minimum net surface area. Any surface area loss due to finishing materials like a grill or louvre must be compensated for by sizing up.
- Horizontal heat release above the appliance must be constructed to allow for the discharge of hot air into the room.
- The heat release area must be at least 172 sq. in. [1110 cm²].
- The heat release must take place in accordance with the dimensions given in Figure 10-11.
- No obstruction between the heat release and the appliance is permitted (see Fig. 10-10, A).
- The heat release must not be vented outdoors or to a nonconditioned space.
- The appliance requires a horizontal air intake under the appliance to allow for cool air to enter the chase.
- The total air intake area must be at least 45 sq. in. [290 cm²].
- The air intake must be placed in accordance with the dimensions given in Figure 10-11.
- No obstruction between the air intake and the appliance is permitted.






Model: Prestige® 42 Tall

2.1 Front clearance to combustible materials

The zone in front of the appliance has a minimum clearance distance to combustible materials (see Fig. 2-1). This area is measured starting from the face of the Micro Mesh Screen to the space in front of the appliance. Inside the red zone, no materials of any kind are allowed unless stated otherwise. Non-combustible materials may be placed inside the shown blue zone.

 **WARNING**
No materials and objects of any kind are allowed inside the red zone. Non-combustible materials may be placed inside the shown blue zone (see Fig. 2-1)

It is possible to use a non-combustible fireplace mantel inside the red zone.

