

2024/25

# PRESTIGE<sup>®</sup>

GAS SERIES



Prestige<sup>®</sup> 42

*Indulge in Cozy Luxury*



**AMBIANCE<sup>®</sup>**

FIREPLACES | BBQ | OUTDOORS | SPAS

# PRESTIGE®



Prestige® 51

Whether hosting a glamorous cocktail party or enjoying a quiet evening, your Prestige® luxury gas fireplace, crafted with 260 years of Dutch expertise, becomes the centerpiece of unforgettable moments.

Imagine the unmatched flame realism, dancing, and flickering with mesmerizing natural beauty. This is the heart of the Ambiance® Prestige® Series. This luxury gas fireplace not only elevates your lifestyle but also has the power to transform your home into a haven of warmth and elegance.

Unleash your creativity by designing a fireplace that becomes an extension of your home's unique character. With its high energy efficiency, the Prestige® Series allows you to enjoy the luxury guilt-free, a testament to your commitment to sustainable living.



# PRESTIGE®

**AMBIANCE®**  
FIREPLACES | BBQ | OUTDOORS | SPAS



Prestige® 51

*Indulge in Cozy Luxury*

# PRESTIGE®



## FEATURES

### **DYNAMIC FLAME BURNER®**

Experience the industry's first dual burner technology. Never compromise on realism again. Astonishingly lifelike flames will have guests mistaking your fire for wood-burning.

### **ECO WAVE**

Reduce gas consumption by 50% without sacrificing the mesmerizing flame display. Enjoy a cozy fire, even in summer, without worrying about excessive fuel costs. Use the DRU Fire app or remote to adjust heat, flame intensity, and energy savings.

### **DESIGN YOUR PERFECT FIREPLACE**

Whether your style is classic or modern, DRU offers a fireplace to match your unique taste and space. Customize your dream fireplace to complement your home's interior perfectly.



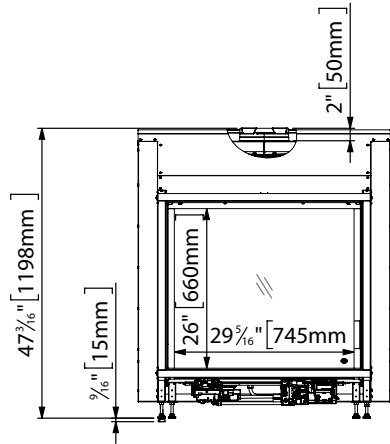
Prestige® 42 Tall



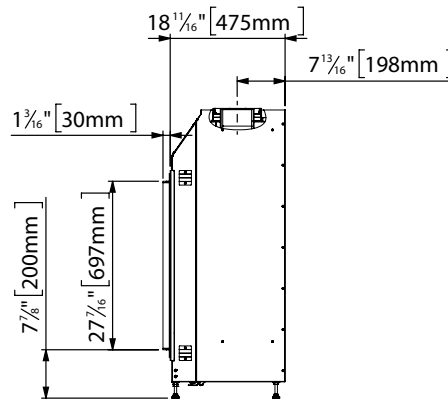


## TECHNICAL SPECIFICATIONS

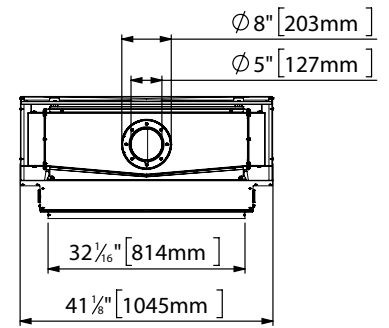
### PRESTIGE® 42



Front View



Side View



Top View

BTU				EFFICIENCY	MINIMUM FRAMING DIMENSIONS			WEIGHT
Max NG	Max LP	Min NG	Min LP	Steady State	Width	Depth	Height	Lbs
40 600	44 700	13 400	11 300	76%	45.25"	19"	88.5"	459

GLASS			OVERALL DIMENSIONS			VENTING		
Type	Dimensions	Area sq in	Width	Depth	Height	Type	Int./Ext. Diameter	Min./Max. Height
Ceramic	29.3125" L x 26" H	762	41.125"	19.875"	47.125"	Direct Vent	5" / 8"	3 Feet / 42 Feet

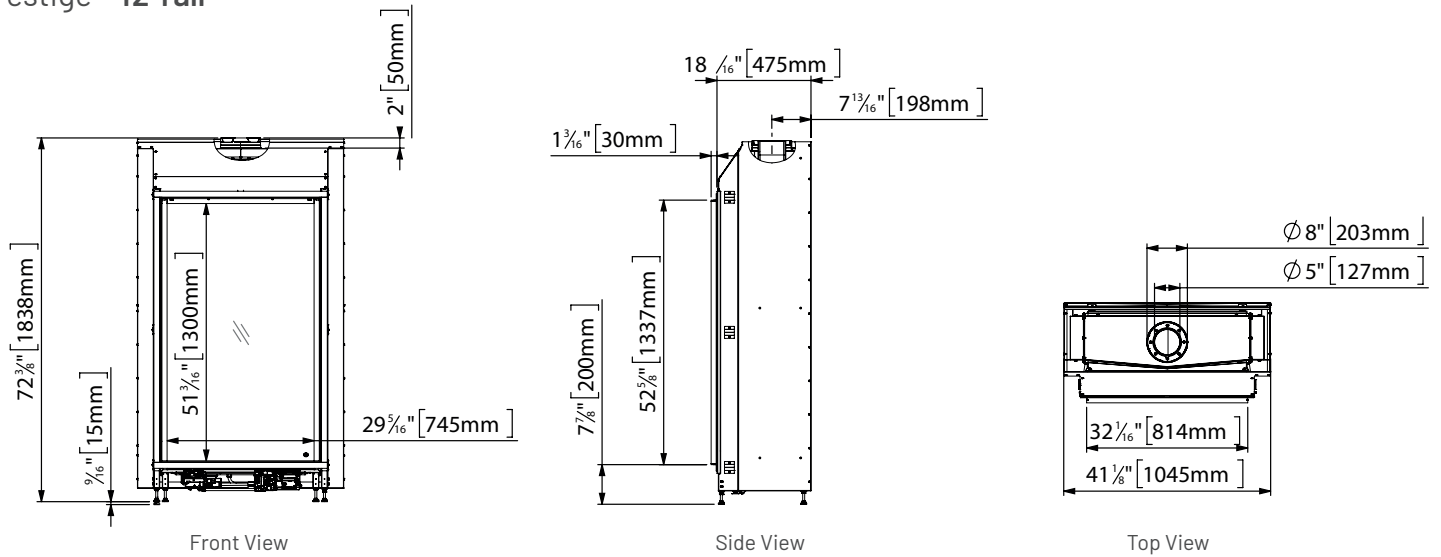


# PRESTIGE®



## TECHNICAL SPECIFICATIONS

### Prestige® 42 Tall



BTU				EFFICIENCY	MINIMUM FRAMING DIMENSIONS			WEIGHT
Max NG	Max LP	Min NG	Min LP	Steady State	Width	Depth	Height	Lbs
31 400	27 990	N/A	N/A	77%	N/A	N/A	N/A	644

GLASS			OVERALL DIMENSIONS			VENTING		
Type	Dimensions	Area sq in	Width	Depth	Height	Type	Int./Ext. Diameter	Min./Max. Height
Ceramic	29.3125" L x 51.1875" H	1500	41.125"	19.875"	72.375"	Direct	5" / 8"	3 Feet / 42 Feet

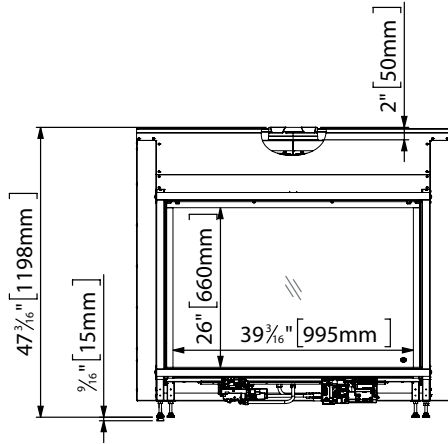


Prestige® 42 Tall

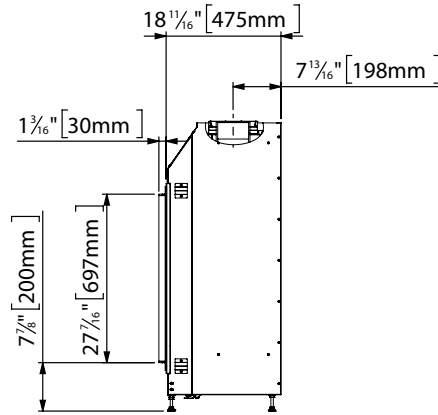


## TECHNICAL SPECIFICATIONS

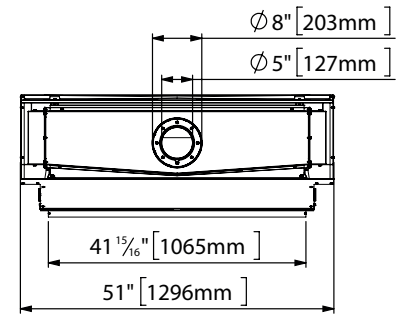
### Prestige® 51



Front View



Side View



Top View

BTU				EFFICIENCY	MINIMUM FRAMING DIMENSIONS			WEIGHT
Max NG	Max LP	Min NG	Min LP	Steady State	Width	Depth	Height	Lbs
34 130	33 450	N/A	N/A	71%	N/A	N/A	N/A	501

GLASS			OVERALL DIMENSIONS			VENTING		
Type	Dimensions	Area sq in	Width	Depth	Height	Type	Int./Ext. Diameter	Min./Max. Height
Ceramic	39.1875" L x 26" H	1018	51"	19.875"	47.19"	Direct	5" / 8"	3 Feet / 42 Feet



## WHY CHOOSE AN AMBIANCE® PRODUCT ?

**Ambiance® transforms a house into a home!**

Ambiance® products will add elegance, peace of mind and comfort to the soul of your home. All Ambiance® products are carefully selected and designed with your home in mind, to enrich the areas of your home where memories and life take place. The best quality and innovation are shown in the enhanced detail and features that add a little «je ne sais quoi» in our Ambiance® designs.

Who are our designers? They are a network of over 300 Hearth & BBQ authorized members from coast to coast covering both Canada and USA. From Alaska to Québec and Florida to California, they know what it takes to warm up your life and use their real-world experience to design quality and innovative products for your home.

Who can sell the Ambiance® products? Only our select authorized dealers who are local professionals and who understand your local codes and standards.

A house needs a sense of Ambiance® to transform into a home.

*Ambiance®  
the Soul of your home*



### GAS FIREPLACES STANDARD FEATURES INCLUDES

- › Industry-leading flame realism with our dual burner technology
- › Eco Wave: Save up to 50% on gas without compromising beauty
- › Micro Mesh screen provides safe, effective heat protection
- › Ceraglass interior reflects and amplifies the flame's beauty
- › Future-proof design: Burns bio propane
- › Dutch-engineered, surpassing global standards for safety and sustainability
- › Complete peace of mind with our industry-leading warranty