



**AMBIANCE**<sup>®</sup>

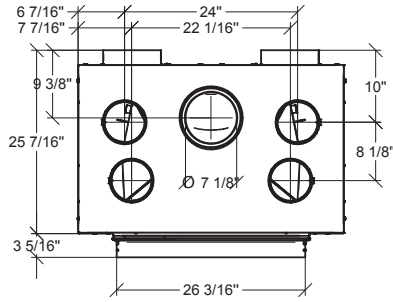
FIREPLACES | BBQ | OUTDOORS | SPAS



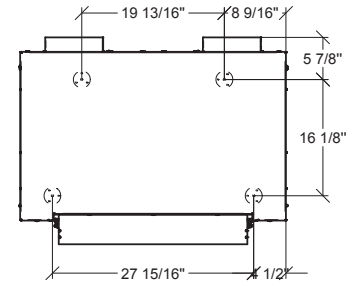
**LUXUS**<sup>®</sup>  
**WOOD SERIES**

Model: **LUXUS**<sup>®</sup> 26

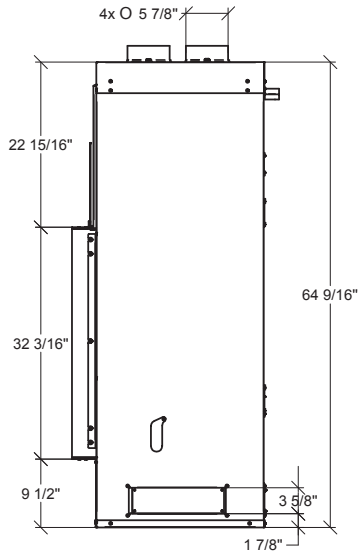
Specifications



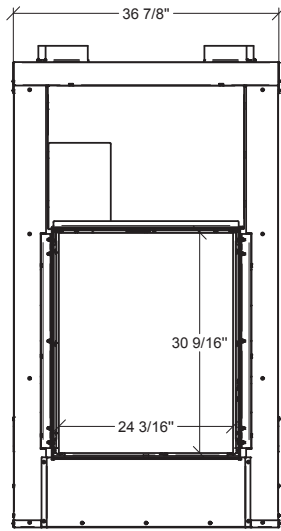
Top View



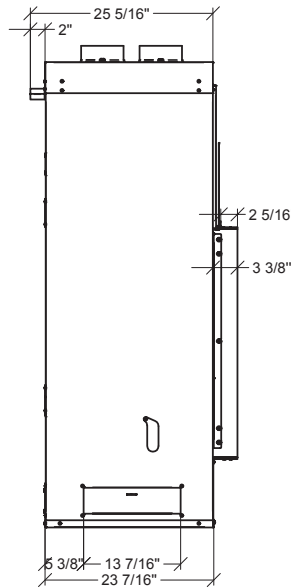
Top View



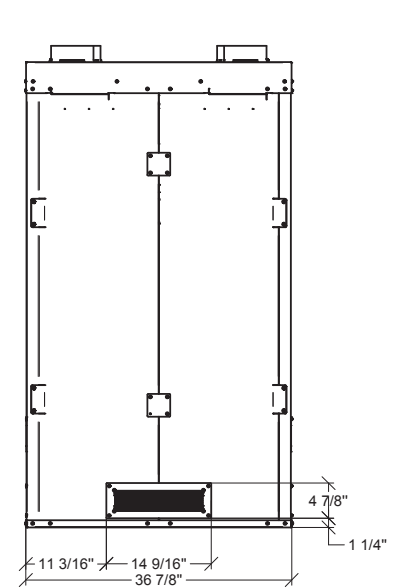
Side View



Front View



Side View



Back View

BTU		FIREBOX		WEIGHT	VENTING		
Cordwood	EPA	Cu. Ft	Log Length	Lbs	Type	Diameter	Brands*
49,000	EPA Exempt	4.2	20"	573	Class A	8"	Selkirk, Security Chimneys, ICC RIS, Duravent

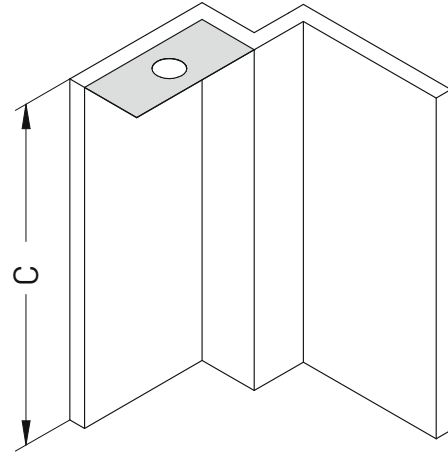
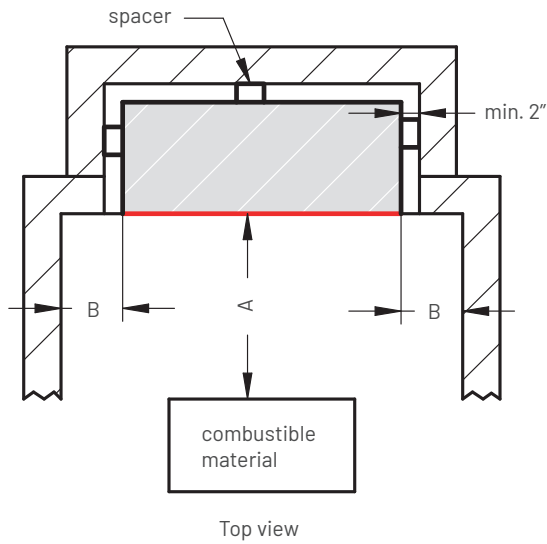
GLASS		DIMENSIONS			AIR CIRCULATION
Guillotine Door	Total Sq. In.	Height	Depth	Width	Hot air gravity kit
24.19" x 30.56"	739	64.6"	28.75"	36.875"	Required

\* All brands of chimney require their own anchor plates.

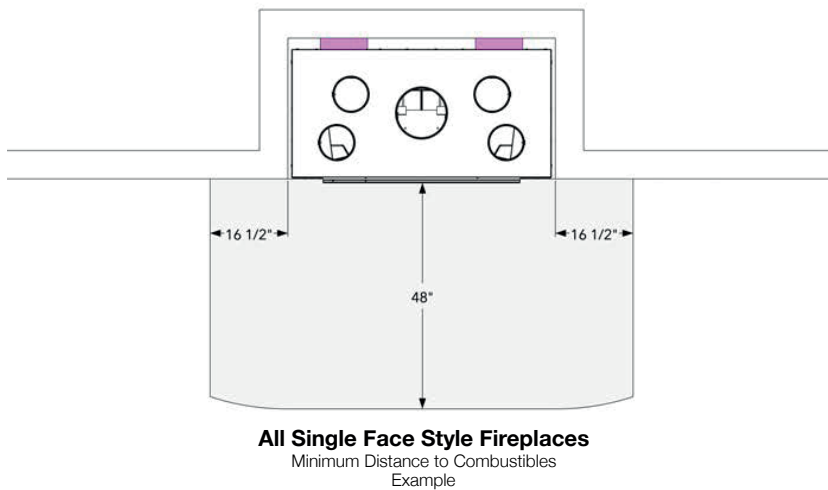


Model: **LUXUS® 26**

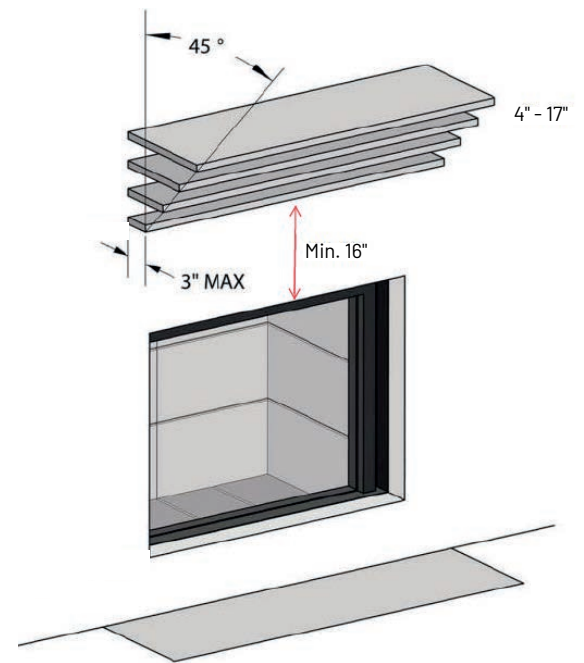
**Distance to combustibles**



	A	B	C
<b>Luxus® 26</b>	48"	16.5"	84"



 = mandatory 2 inch spacer





AMBIANCE®

FIREPLACES | BBQ | OUTDOORS | SPAS

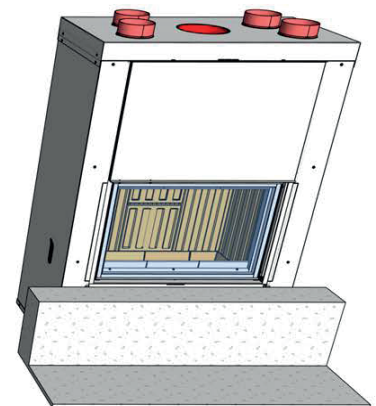
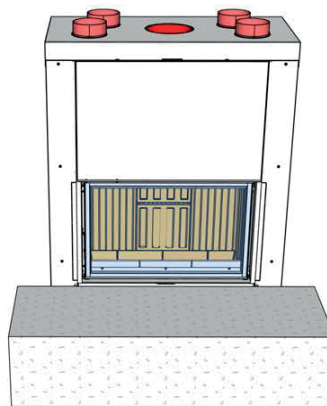
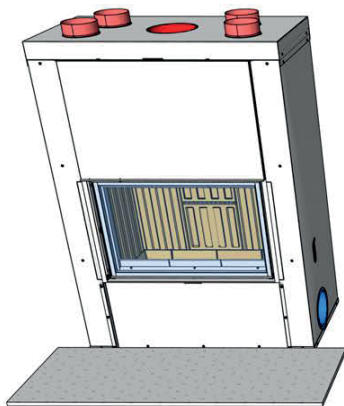
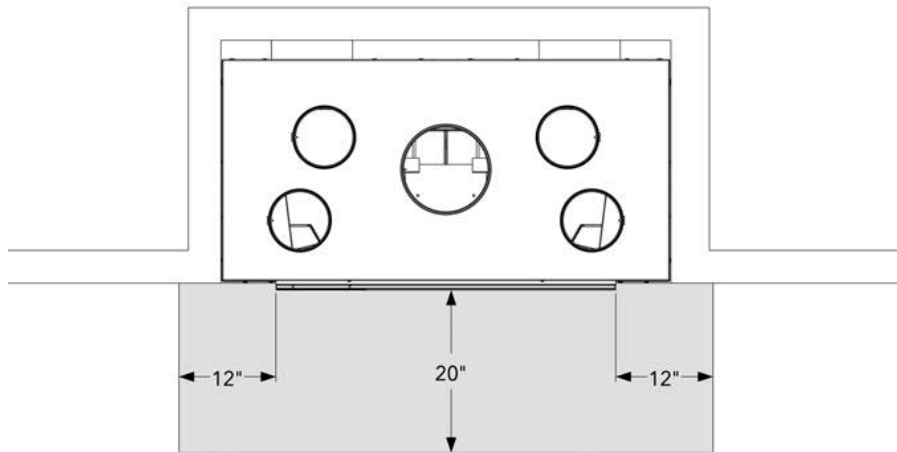
LUXUS®  
WOOD SERIES

Model: LUXUS® 26

### Hearth extension

INSTALL THE HEARTH EXTENSION ONLY AS ILLUSTRATED!

A 20" x 12" (500 mm x 300 mm) minimum hearth extension made of non-combustible material is required. Minimum dimensions of non-combustible hearth extension measured from door glass.





AMBIANCE®

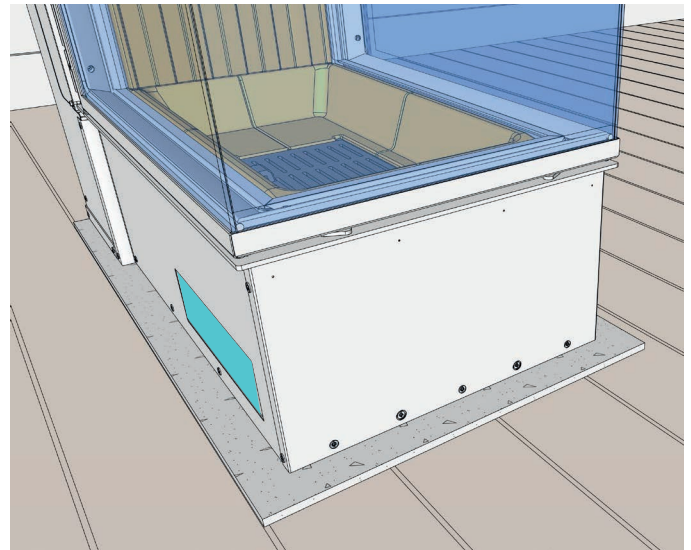
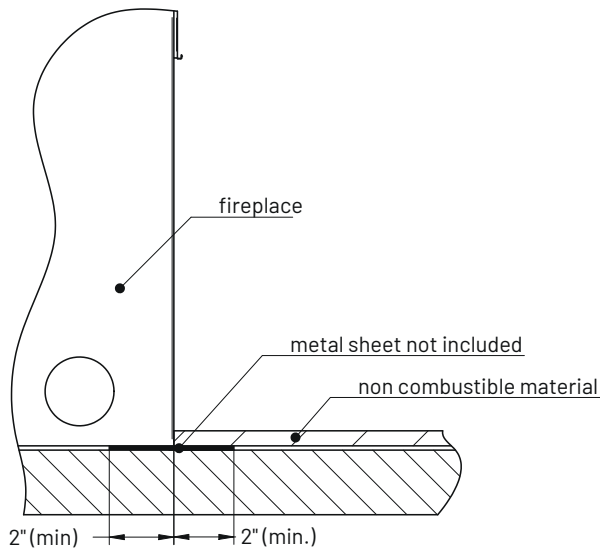
FIREPLACES | BBQ | OUTDOORS | SPAS

LUXUS®  
WOOD SERIES

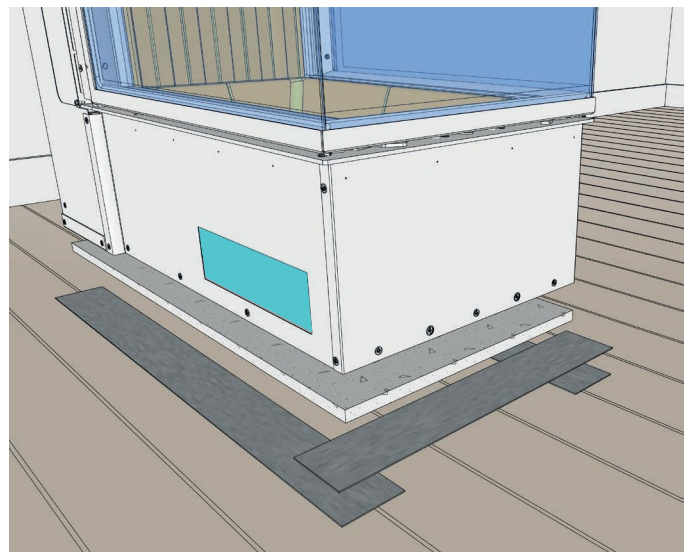
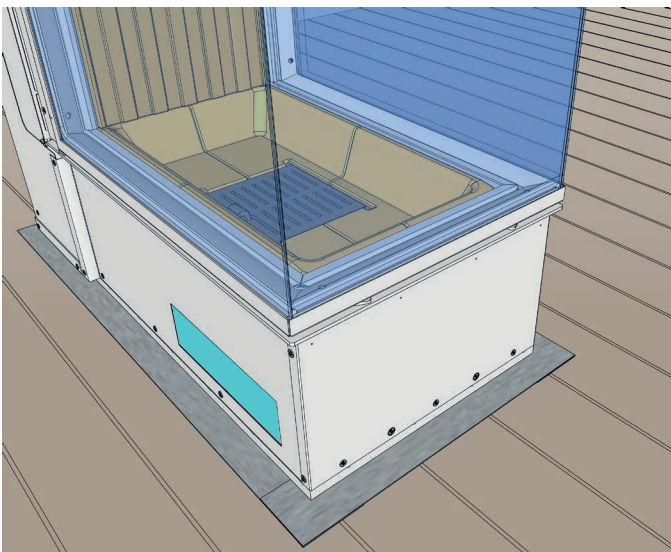
## Model: LUXUS® 26

### Hearth extension

To prevent any burning embers from coming in contact with the floor (between the fireplace and the hearth extension), insert a metal sheet under the front of the fireplace. This sheet must extend 4" (100 mm) on both sides of the fireplace and 2" (50mm) in front. You can also prevent embers from falling in the joint between the fireplace and the hearth extension by filling it with mortar grout.



Example: Luxus® Pier 28  
½" cement board on floor



Example: Luxus® Pier 28 On Floor  
½" cement board and metal ember strip



AMBIANCE®

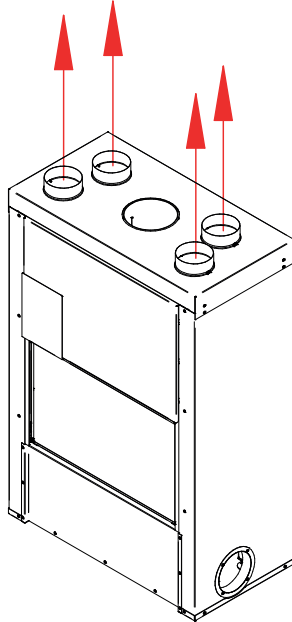
FIREPLACES | BBQ | OUTDOORS | SPAS

LUXUS®  
WOOD SERIES

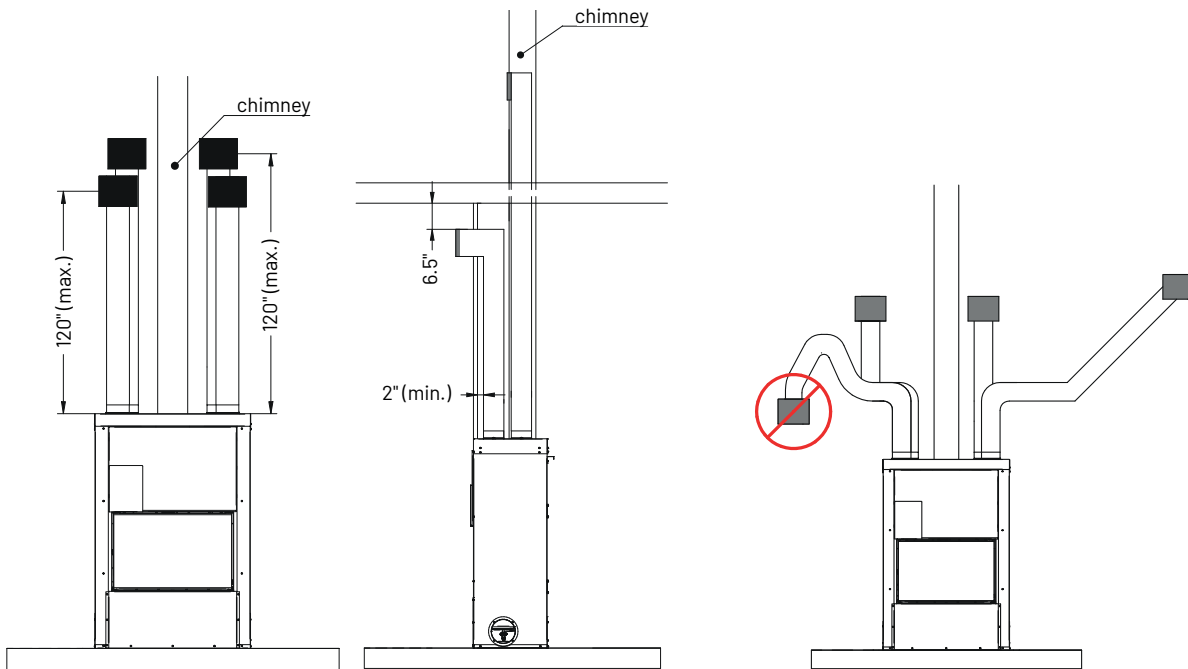
Model: LUXUS® 26

### Minimum clearances to combustibles for convection air grills

Connect at least 4 gravity outlets 6 inch diameter to the convection air outlet ports.



The minimum distance between the convection air grills and the ceiling or other combustibles is 6.5 inches. Only use non combustible materials 6.5 inch surrounding the convection air grills.



For installation use flexible aluminium liner with 1 inch insulation.

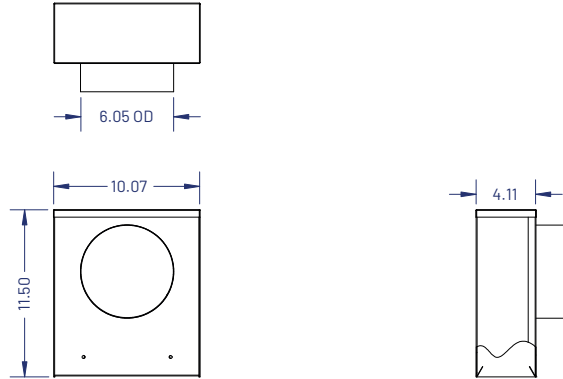
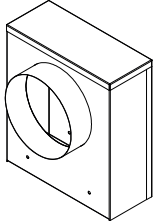
The Gravity Distribution Kit may be used to heat rooms located above, behind and either side of the room where the fireplace is located. Note that, if the hot air outlets are located at various levels, the heat will tend to seek the one at the highest level. It is not permitted to connect two ducts together.



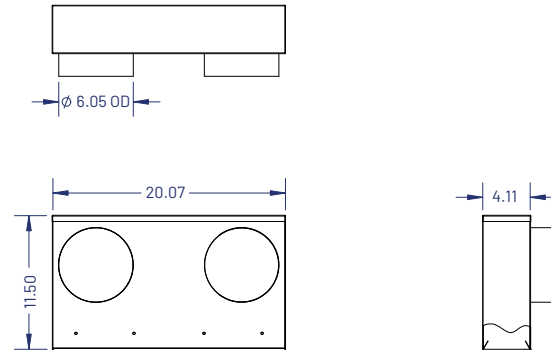
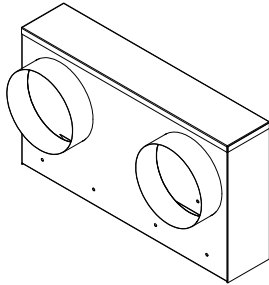
Model: **LUXUS**<sup>®</sup> 26

**Convection Air Distribution (Plenums)**

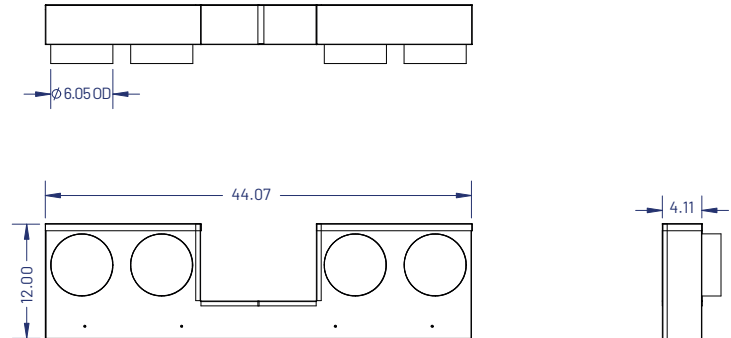
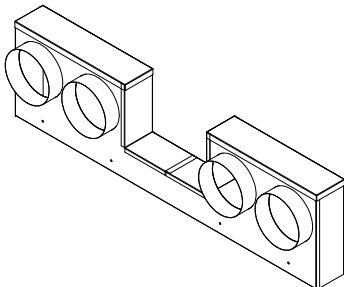
**One Inlet Plenum**



**Two Inlets Plenum**



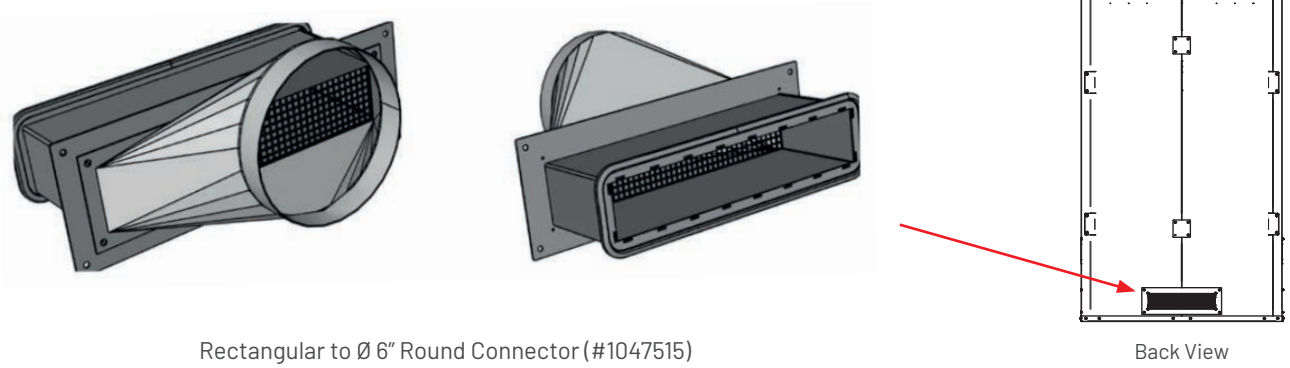
**Four Inlets Plenum**



Model: **LUXUS**<sup>®</sup> 26

**Fresh air intake**

To connect the fresh air directly to the firebox, it is recommended to use the 'Rectangular to Ø 6" Round Connector' (#1047515). Mount the connector directly to the unit. It can be mounted to the back of the fireplace.



Rectangular to Ø 6" Round Connector (#1047515)

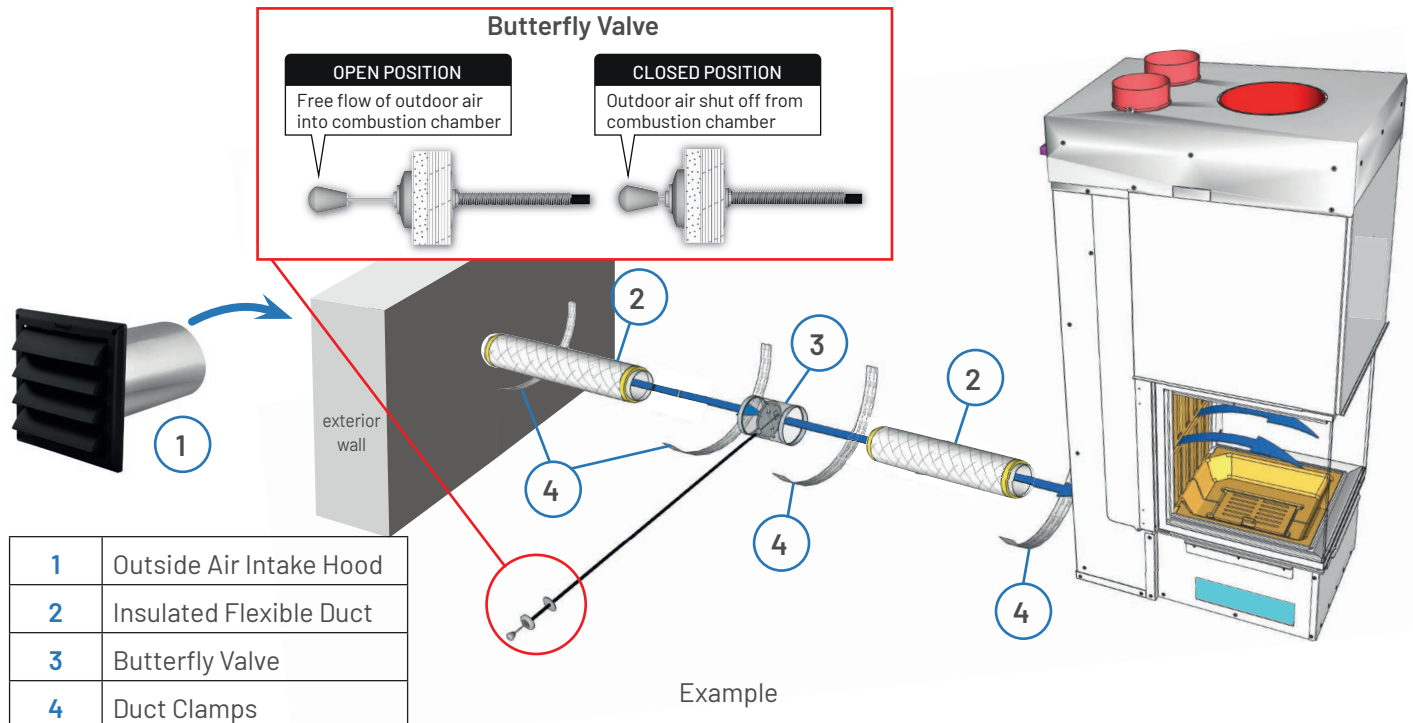
Back View

**Fresh air ducts**

The fresh air ducts should be kept as short as possible to prevent pressure loss and to prevent cold from coming in.

**Butterfly valve**

If you decide to connect separate combustion air it is recommended to install a butterfly valve to prevent condensation and avoid cold air from coming in when the fireplace is not in use. It should ideally be located as close as possible to the outside wall. It can be controlled from inside if it is not too far from the stove (cable length = 47"). **DAMPER MUST BE FULLY OPEN WHEN FIREPLACE IS OPERATIONAL.**



Model: **LUXUS**<sup>®</sup> 26

**Inlet & Outlet**

**Flue Smoke Exhaust**  
Flue smoke and gases from the combustion chamber are evacuated by the chimney stack.

**Convection Air Outlets**  
Convection air outlets direct warmed air back into the room for maximum heating efficiency.

**Convection Air Inlets**  
Convection air inlets take in room air and direct it up and around the hot combustion chamber.

**Combustion Air Inlet**  
Combustion air inlet directs fresh outside air into the combustion chamber.



SEE-THROUGH	Combustion Air Inlet	Flue Smoke Exhaust	Convection Air Inlets	Convection Air Outlets
Luxus <sup>®</sup> 26	Rectangular to Round Connector	Ø 8"	two @ 14-9/16" x 4-7/8"	four @ Ø 6"

**Chimney installation**

This fireplace is designed and approved for installation with the following brands of chimneys measuring 10" (250 mm) in diameter as well as a minimum of 15' (4.6 m) and maximum of 45' (13.5 m) in height. (The anchor plate is not included with the unit. Use only a chimney certified as UL 103HT or ULC S-629.)

Chimney Manufacturer	Brand	Type	Tested and Listed to	Inner Diameter
Security chimney	Secure Temp S2100+	2" Solid Pack	ULC-S629M	8"
Selkirk	Super Vent 2100 (JM)	2" Solid Pack	ULC-S629M	8"
Selkirk	CF Sentinel (CF)	2" Solid Pack	ULC-S629M	8"
DuraVent	DuraTech Premium DTP	2" Solid Pack 8"	ULC-S604, ULC-S610	8"
	DuraTech DT	1" Solid 10"	ULC-S604, ULC-S610	10"
Security chimney	Secure Temp ASHT+	1" Solid Pack	ULC-S604, ULC-S610	10"
ICC chimney	RIS	1" Solid Pack	UL-103 HT	10"

Chimney Manufacturer	Components	Type / Brand	Part Number / Product Code
Selkirk	Must have rafter protectors at the roof level if the chimney is enclosed at the attic level	Super Vent 2100	JSC8RRS (8")
		CF Sentinel	
Security chimney	Rafter protector at the roof level if chimney is enclosed at the attic level	Secure Temp ASHT+	Ref. 8FR (8")
		Secure Temp S2100+	Ref. 10FR (10")
	Requires insulated attic radiation shield unless chimney is enclosed at the attic level	Secure Temp S2100+	Ref. 8XRS (8")
		Secure Temp ASHT+	Ref. 8RSA2 (8") Ref. 8XRSA2 (10")
DuraVent	Roof radiation shield	Secure Temp ASHT Secure Temp S2100	ref. 8fr(8") ref. 10fr(10") ref. 8XRS(8")
	Attic insulation shield	Secure Temp S2100 Secure Temp ASHT	ref. 8RSA2(8") ref. 8XRSA2(8") ref. 8XRSA2(8") ref. 8XRSA2(10")





AMBIANCE®

FIREPLACES | BBQ | OUTDOORS | SPAS

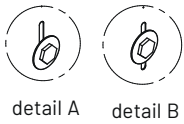
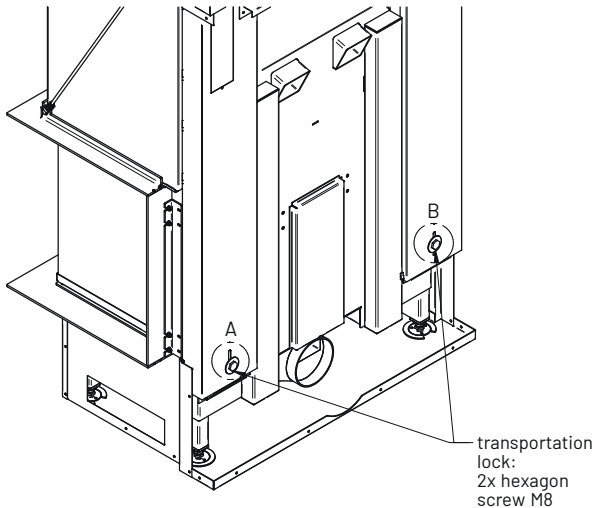
LUXUS®  
WOOD SERIES

Model: LUXUS® 26

### Transportation locks

#### Unlock transportation lock

Once the fireplace has been taken off the crate, unlock the counterweights using a socket-wrench size 13mm or 1/2". Remember to perform this operation before inserting the fireplace into the enclosure.

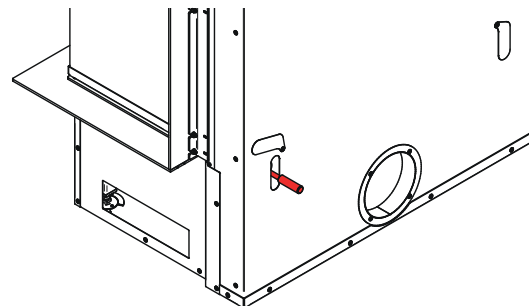
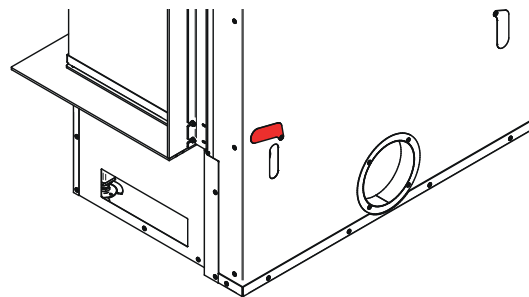
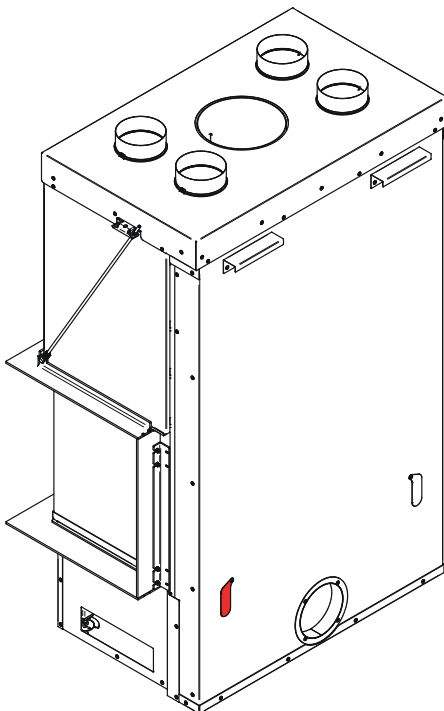


detail A detail B



Tool:  
socket wrench

To unlock the transportation lock, open the cover. Then loosen the screw with the socket wrench. Turn the socket wrench to the left. Then close the cover. Do this on both sides.





AMBIANCE®

FIREPLACES | BBQ | OUTDOORS | SPAS

LUXUS®  
WOOD SERIES

Model: LUXUS® 26

### Door opening

Use the «operational tool» to open and close the door



Operational tool



Connection point



Position the «operational tool» on the connection point



Move the door up and down

### CAUTION!

The «operation tool» has a spring. If you let go the «operation tool», it jumps back from the connection point.

The «operation tool» is heavy. Do not drop it on the floor or on your foot.