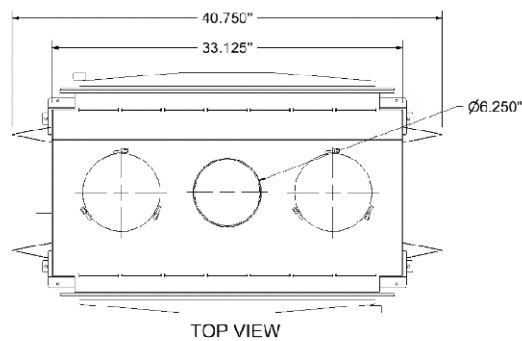
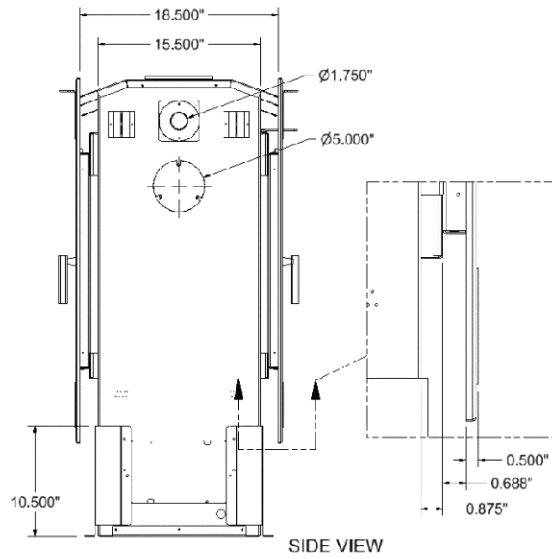
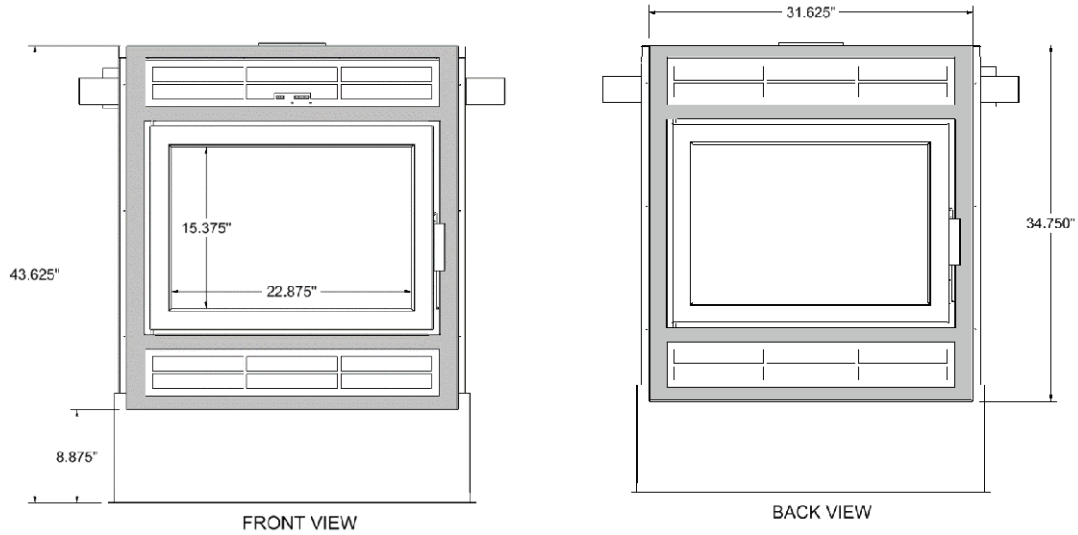




Model: Elegance[®] 42 See-Thru

Overall Dimensions

With Louvers

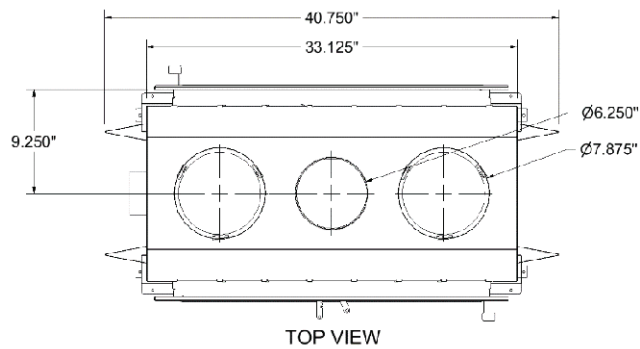
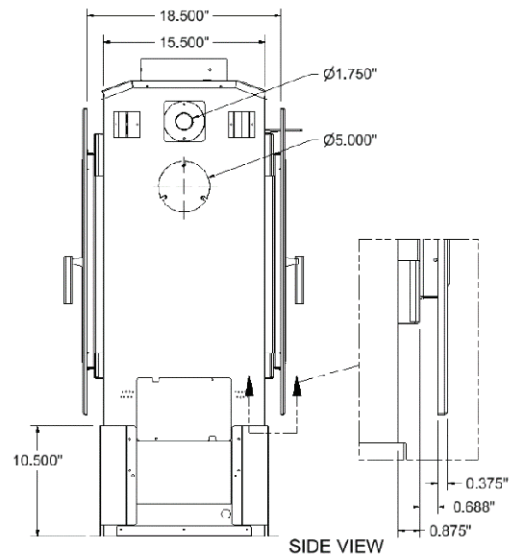
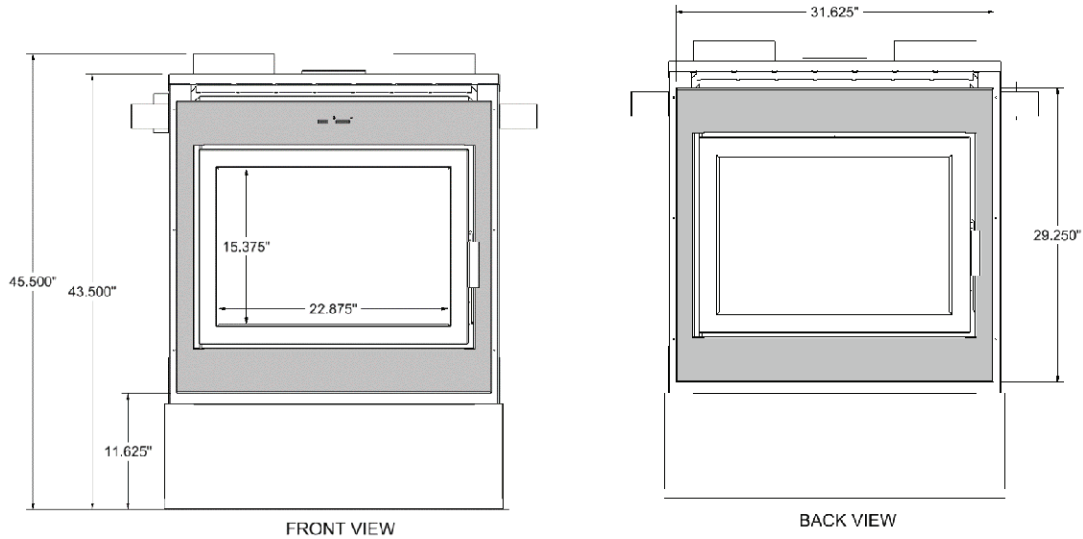




Model: Elegance[®] 42 See-Thru

Overall Dimensions

Clean Face



Model: Elegance® 42 See-Thru

Specifications

BTU		FIREBOX		EFFICIENCIES			VENTING		
Cordwood	EPA	Cu. Ft	Log Length	g / hr	Optimal %	LHV	Type	Diameter	Brands
100,000	61,231	3.8	24"	2.16 g	75 %	69.92 %	Class A	6-inch	All

GLASS			WEIGHT	DIMENSIONS			BLOWERS INCLUDED	
Type	Dimensions	Area sq in	Lbs	Width	Depth	Height	Type	CFM
Ceramic	22.875" X 15.375"	352	310	40.75"	19.5"	43.625"	Variable Speed	165

Framing and Clearances

The Elegance ST can be placed directly onto or against normal combustible construction materials such as lumber, plywood, millboard, particleboard, drywall, and decorative wood paneling. **WARNING: The fireplace should NOT be placed directly against or be in contact with an insulation material.** The framing on the face of the chase, as well as above the unit, must be constructed with nominal 2" x 3" or 2" x 4" metal studs. Note that any framing exceeding the 2.75" lateral standoffs can be constructed of 2" x 3" or 2" x 4" lumber. Refer to Figure 3-9 for examples of a framing design based on the surround configuration. The framing must be nailed or screwed onto the floor and to the ceiling.

Note a minimum distance from the ceiling to the top louver frame of 2" and from the base of the unit to the bottom louver frame of 76.5".

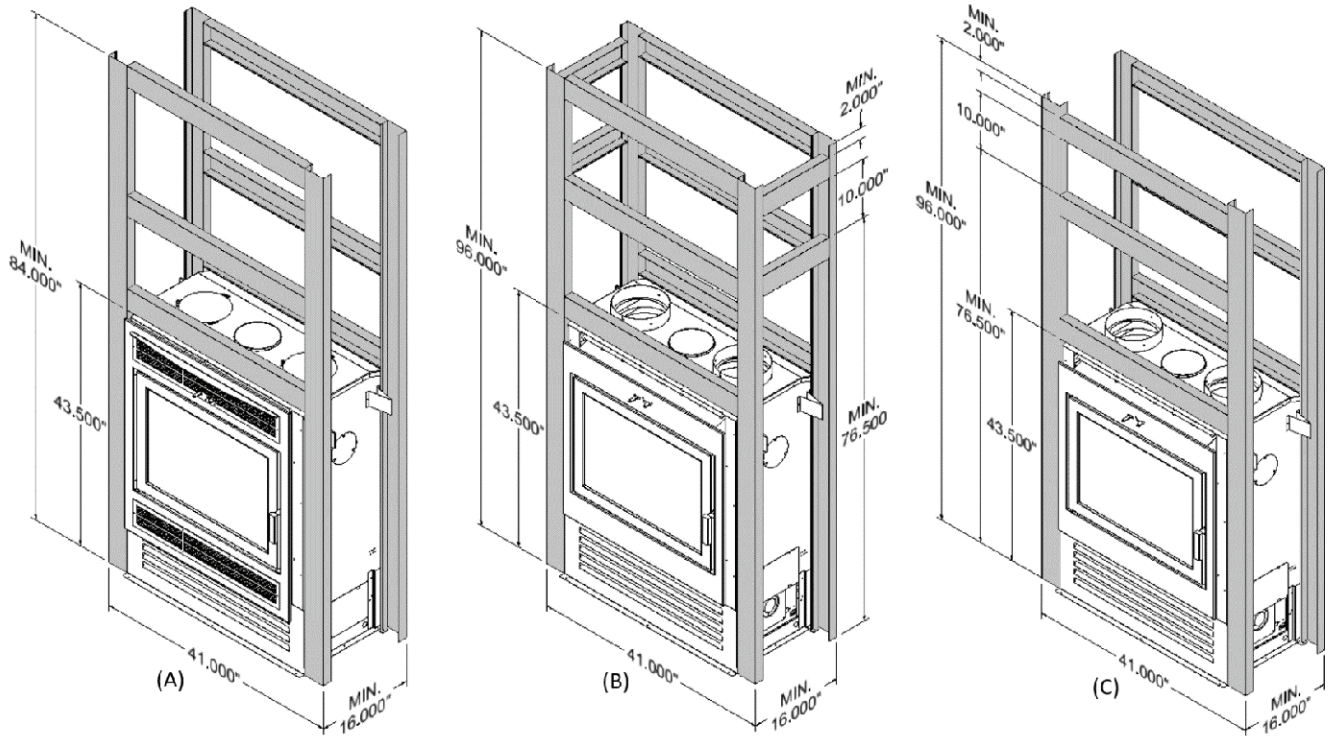


Figure 3-9: Elegance ST 42 Framing Design for (A) Traditional Surround Configuration, (B) Contemporary Surround with Side Wall 8" Gravity Ducts, and (C) Contemporary Surround Configuration with Front or Back Wall 8" Gravity Ducts



Model: Elegance® 42 See-Thru

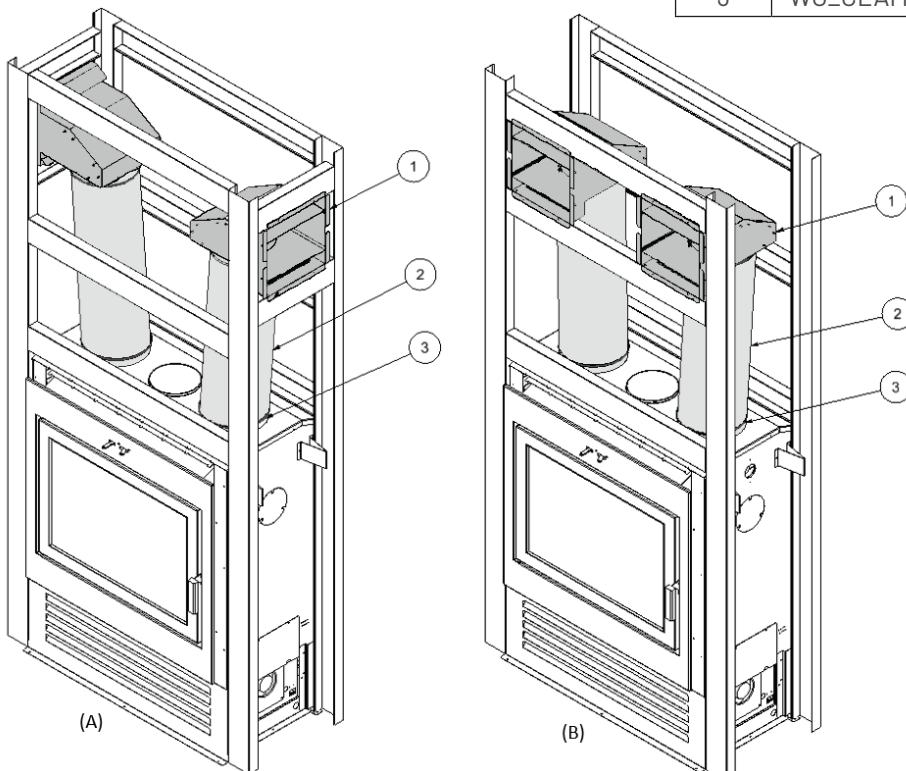
Gravity Kit Installation

The Clean Face surround comprises no louvers; however, an intake into the chase and an outtake through gravity ducts is required for this configuration. The instructions below describe the installation of the intake openings, and the gravity ducts/ outtakes. Please note that the SUPREME KG550 kit is required for the Gravity Kit installation. Note that openings for the intake and the outtake are to be incorporated in the construction of the chase.

WARNING: Do not nail or screw the chase onto the fireplace.

- The gravity ducts must extend upwards from the top of the unit and cannot exceed 10 feet.
- The ducts should never extend downwards; only upwards.
- The air outtakes must be installed at a minimum of 76.5" from the floor.
- The gravity ducts must not be connected to a central heating system.
- A clearance must be maintained between the gravity ducts and the chimney.
- The intake swivel covers at the bottom sides must remain open for all Contemporary Surround installations.

KG550 Kit LOUVER GRAVITY DUCTS			
Item	Part #	Description	Qty
1	LV3100	12" Louver Diffuser Assembly	2
2	CAC8	8" Flex Duct	2
3	WG_CLAMP_8"	8" Worm Gear Clamp	4



Elegance ST 8" Dual Gravity Duct Installation with Outtakes at (A) Side Wall and (B) Front or Back Wall



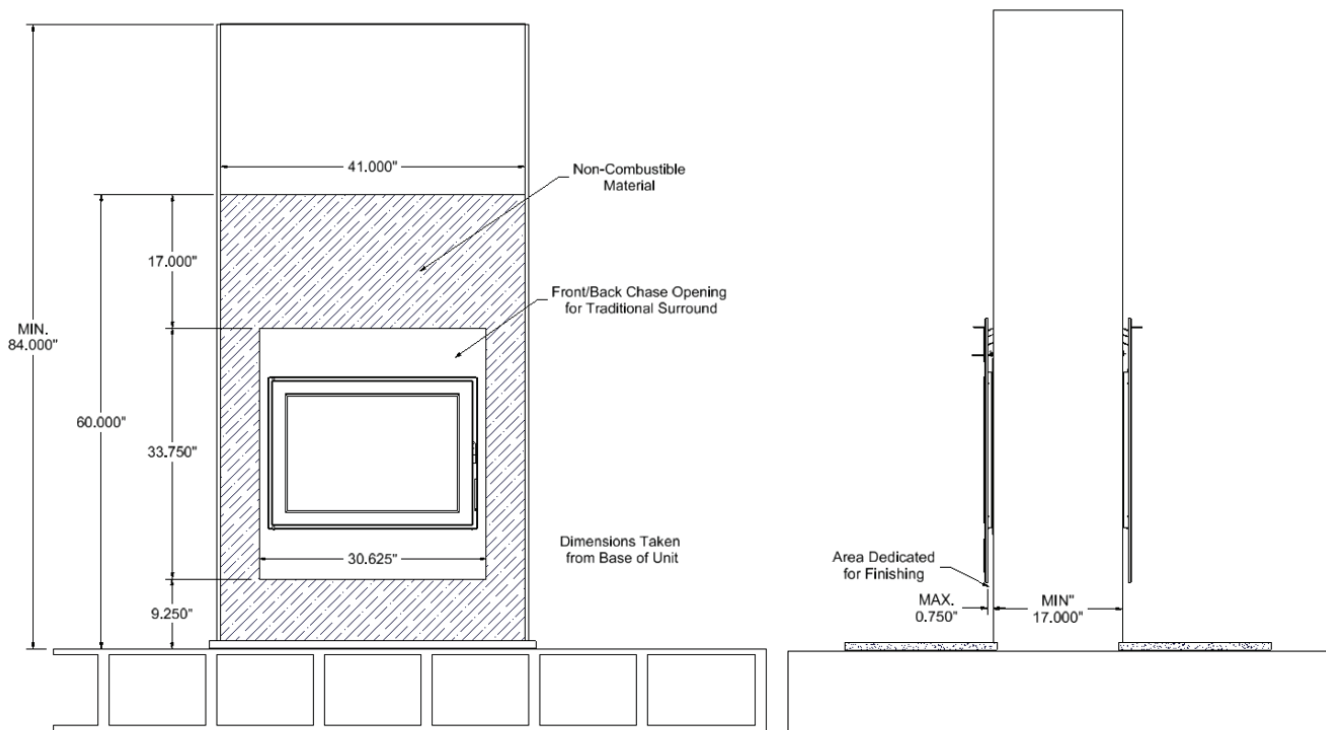
Model: Elegance® 42 See-Thru

Chase Installation

A portion of the front of the chase must be constructed out non-combustible material. Note that the chase must be properly fastened onto the framing structure.

WARNING: Do not nail or screw the chase onto the fireplace. For the Contemporary Surround option, two intake openings must be constructed onto the chase, as well as two outtake openings. Refer to the figures and dimensions below.

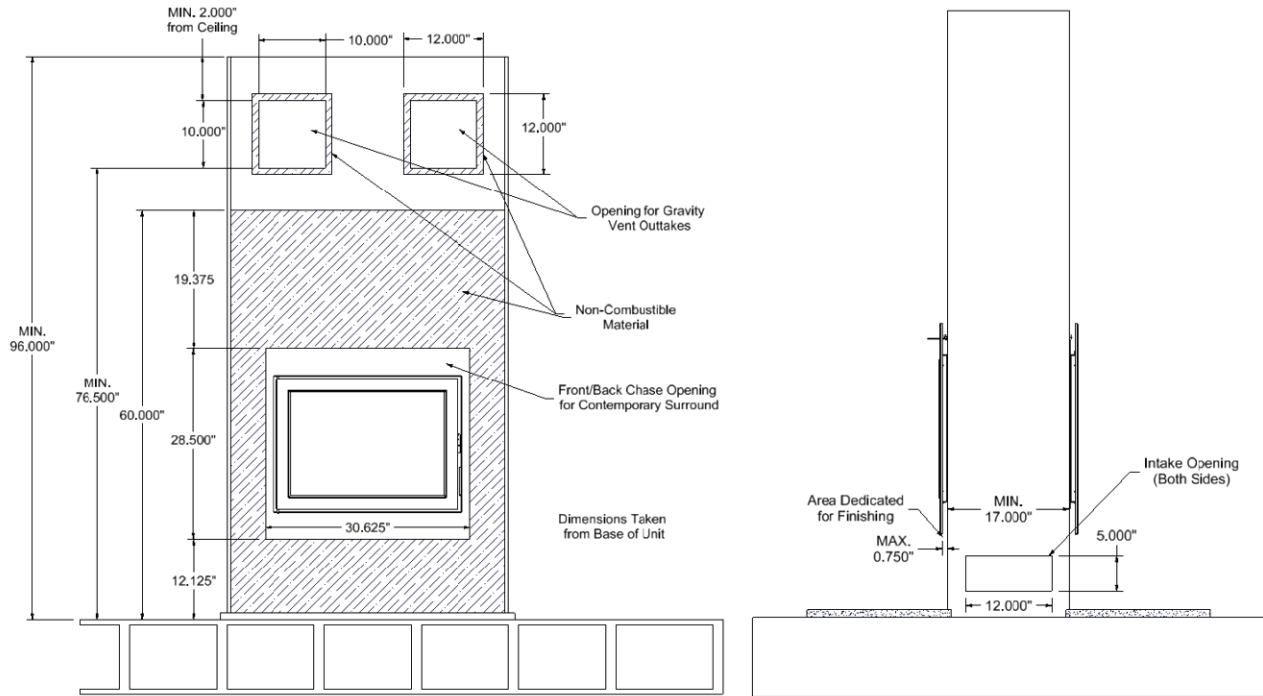
Chase Installation for Louvered Surround



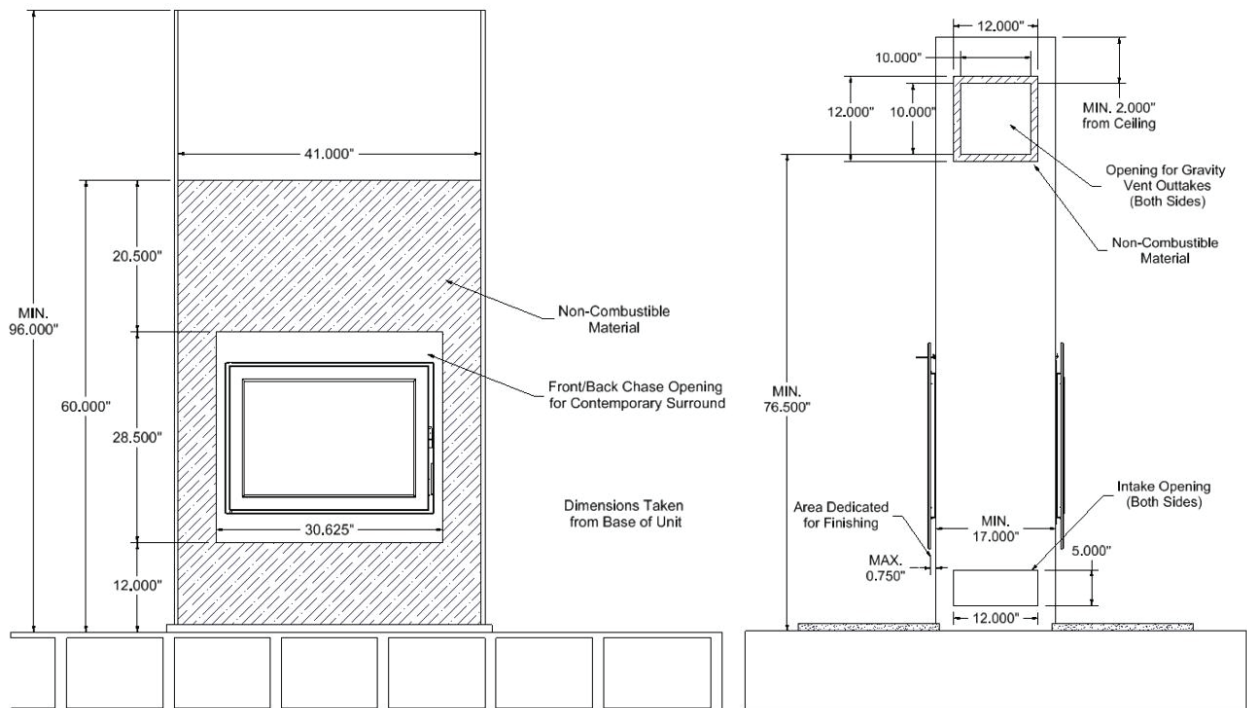


Model: Elegance® 42 See-Thru

Chase Installation for Clean Face Surround with Outtakes at the Front



Chase Installation for Clean Face Surround with Outtakes at the Side



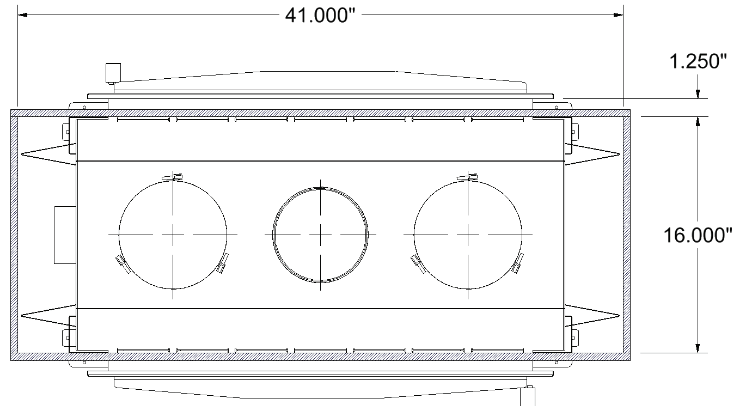
Note that all overlay intakes/outtakes are installed once the chase assembly is completed by fastening the overlay to the wall and the Diffuser Assembly.



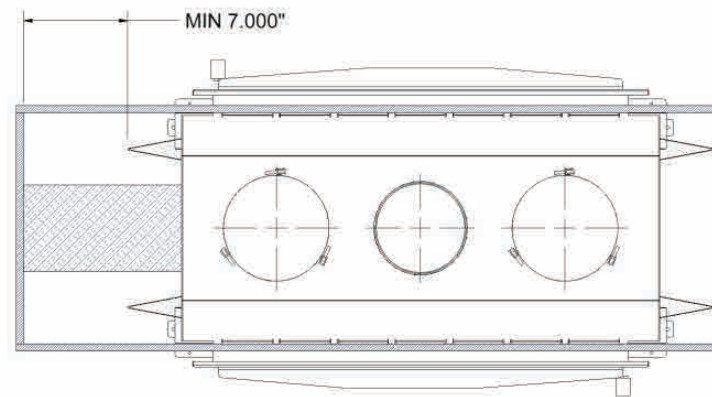
Model: Elegance® 42 See-Thru

Installation

Straight Wall Installation



Space Requirement for Fresh Air Kit



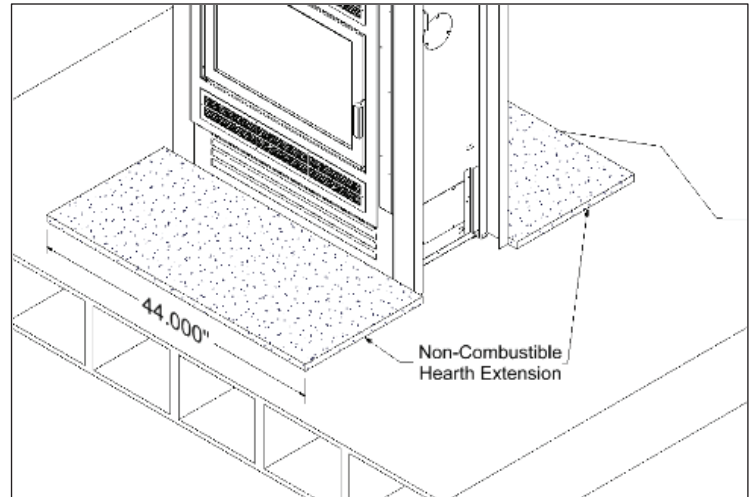
Before installing the unit, consult an authority having jurisdiction (such as your municipal building department, your fire department, your fire prevention department...) for any local codes and whether a permit is required. In the absence of local codes, refer to the CSA B365 Installation Code for Solid Burning Appliances and Equipment (Canada) or the ANSI NFPA 211 Standard for Chimneys, Fireplaces, Vents and Solid Fuel-Burning Appliances (USA).



Model: Elegance® 42 See-Thru

Hearth Extension

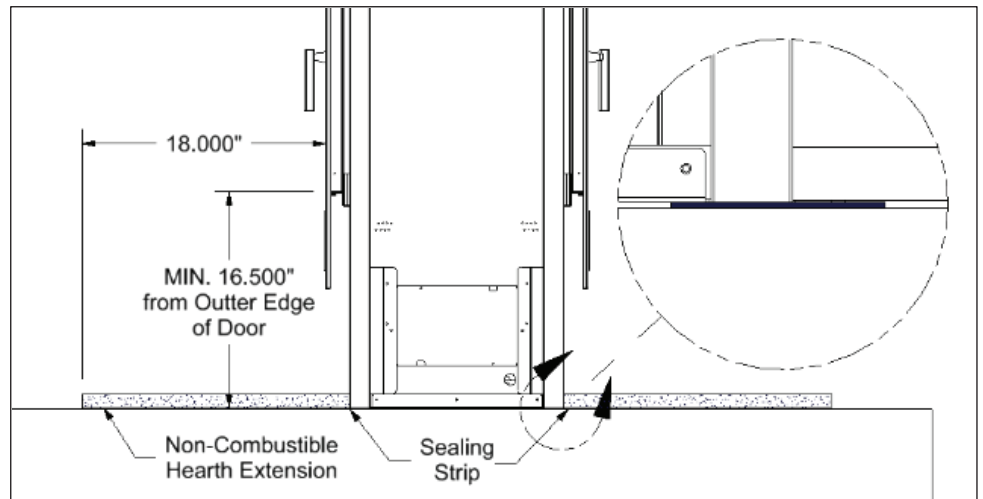
The hearth extension of the Elegance ST must comprise of a non-combustible material, such as steel, cement or mortar, bricks, or ceramic tiles. Note that unidentified materials may be combustible; verify product specifications prior to installation. The hearth extension must extend a minimum of 18" from the front of the door, a minimum of 16.5" from the outer edge of the door to the floor, 8" from side of the outer frame of the door and extended all the way to the unit. Note that a hearth extension is required for the front and back of the unit.



Elegance ST Hearth Extension Isometric View

A sealing strip of non-combustible material must be installed under the Elegance ST and the hearth extension (front and back). The sealing strip must cover the full length of the bottom exterior case of the fireplace and overlap a minimum of 2" of the fireplace and hearth extension; the minimum dimension of the sealing strip is 33.125" X 4.000". Note that sand-cement grout can substitute a sealing strip when installed between the fireplace and an on-site constructed hearth extension.

CAUTION: Make sure to remove any carpet or fabric under the hearth extension.



Elegance ST Hearth Extension Side View



Model: Elegance® 42 See-Thru

Clearances to Combustibles

The clearances below must be respected to ensure safe operation of the unit under normal and extreme conditions. Failure to follow the information below is a safety hazard and may result in property damage.

Figure 3-6: Overall Clearances

Combustible	Clearance	Reference
Side Wall	10" (254 mm)	Outer edge of fuel door
Side Trim	10" (254 mm)	Outer edge of fuel door
Ceiling – Traditional Surround	84" (2134 mm)	Base of unit
Ceiling – Contemporary Surround	96" (2438 mm)	Base of unit

Figure 3-7: Combustible Mantel Clearances

Maximum Mantel Depth	Distance from the Base of the Elegance® 40 to the Bottom of the Mantel
1.5" (38 mm)	53" (1346 mm)
3.5" (89 mm)	55" (1397 mm)
6.5" (165 mm)	58" (1473 mm)

The depth of the mantle is measured from the face of the fireplace door. When the non-combustible wall is recessed, the depth of the mantle can be increased by the amount of the recess (see Figure 3-16). Note that a combustible mantel cannot be installed below the minimum clearance of 53" (from the bottom of the mantle to the base of the unit). A non-combustible mantle doesn't require a minimum distance from the fireplace.

WARNING: A minimum clearance of 48" is required between the doors of the Elegance ST and any combustible material not specified in this document.

