

2023/2024

Pellet & Charcoal Grills

COLLECTION BY



Kamado 25 Ceramic Grill

Bull Pit®1000 Pellet Grill



AMBIANCE®

FIREPLACES | GRILLS

Charcoal Grill

COLLECTION BY



Ambiance® Kamado 25

- › UP TO 700°F COOKING TEMP. RANGE
- › 304 STAINLESS STEEL › COOKING AREA: 570 PO²
- › SMOKER, BBQ AND GRIL, ALL IN ONE !



Two fold-down, composite side shelves

- Lump charcoal**
- up to **700°**
cooking temp.
range
- delicious serve
up to **8** people
cooking area:
363 in² + 299 in²
- Large**
Calibrated top
damper

FUEL / POWER			TEMPERATURE RANGE	DIMENSIONS		
Fuel	Air Flow	Exhaust	°F	Diameter	Cooking Area	Overall Shelves Opened
Lump Charcoal	Top Damper, Bottom STL Plates	Calibrated Top Damper	Up to 700°	25"	21.5" Diameter (570 sq. in.)	55.125" X 35.625" X 47.25"



Adjustable heights and shapes of grills



Easy lift hinge system

- Heavy duty ceramic exterior body and fire bowl
- Dome thermometer with chrome bezel
- Shock absorbing lid for added protection against slamming
- Ash tool included
- Glossy grey finish
- Beautiful cover included!
- Solid composite handle and easy-lift hinge system.
- Multi level culinary system with deflector plates
- Heavy duty swivel casters, two locking



Ambiance® Bull Pit® 1000

- › UP TO 600°F COOKING TEMP. RANGE
- › WIFI AND BLUETOOTH › COOKING AREA: 1028 SQ. IN.
- › SMOKER, BBQ AND GRIL, ALL IN ONE !



Built-in WIFI and Bluetooth capability with the Louisiana Grills Smoke iT® app.



Wood
Pellets



up to **600°**
cooking temp.
range



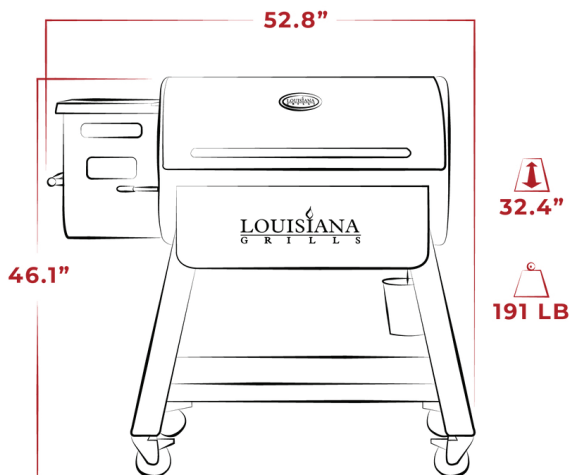
delicious serve
up to **35** people
cooking area:
1028 sq. in.



Digital
Control Bord

FUEL / POWER			TEMPERATURE RANGE	DIMENSIONS			CLEARANCES
Fuel	Control panel power	Hopper Capacity	°F	Width	Depth	Height	Clearance to combustibles
Pellets	Electric	18 LB	180° to 600°	52.75"	32.375"	46.125"	18"

COOKING AREA			ELECTRIC REQUIREMENTS			CONNECTIVITY		
Top Rack	Main Rack	Total	Voltz / Watts	Hertz	Plug	WIFI	Bluetooth	App
31.75" X 11.0625" (367 sq. in.)	32.8125" X 19.4375" (661 sq. in.)	1028 po ²	110-120V / 375W	60Hz	3-prong grounded plug	Ready	Ready	Smoke iT® (iOS, Android™)



- 1028 Square Inches cooking surface
- Wifi and Bluetooth connectivity
- 180° to 600°F temperature range
- Sliding plate to open a searing station right over the flames
- High-temperature powder coat finish
- Solid steel bottom and folding front shelf
- 18-pound hopper
- Heavy-duty 14-gauge steel construction
- Four locking caster wheels
- Weather cover included
- Stainless-steel cooking grids
- Stainless-steel warming rack
- Two meat probes included

WHY CHOOSE AN AMBIANCE® FIREPLACE OR GRILL?

Ambiance® transforms a house into a home!

Ambiance® products will add elegance, peace of mind and comfort to the Soul of your home. All Ambiance® products are carefully selected and designed with your home in mind, to enrich the areas of your home where memories and life take place. The best quality and innovation are shown in the enhanced detail and features that add a little «je ne sais quoi» in our Ambiance® designs.

Who are our designers? They are a network of over 300 Hearth & BBQ authorized members from coast to coast covering both Canada and USA. From Alaska to Québec and Florida to California, they know what it takes to warm up your life and use their real-world experience to design quality and innovative products for your home.

Who can sell the Ambiance® products? Only our select authorized dealers who are local professionals and who understand your local codes and standards.

A house needs a sense of Ambiance® to transform into a home.

*Ambiance®
the Soul of your home*



FLEXIBLE FINANCING

Most Ambiance® Authorized Dealers offer advantageous & flexible financing solutions.

To apply online, visit
united-buyers-group.com/financing-program