



## Wood-fire Oven

Combination Cook Stove / Heater

N350



Excellent warmth and cooking performance.

With its robust oven and stove top cooking features, the wood-fire oven is perfect for remote locations or anywhere wood is the preferred fuel source. Enjoy the ability to cook a roast, pizza or breads, plus enjoy the added benefit of primary heating in spacious living areas.





# Wood-fire Oven

## Combination Cook Stove / Heater

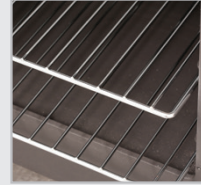
N350



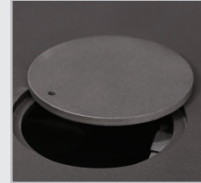
### N350

- Dimensions (WxHxD) . . . . . 21-5/8" x 34-5/8" x 21-1/2"
- . . . . . 54.8 cm x 87.8 cm x 57.2 cm
- Heat Output . . . . . 30,000 BTU's/hr
- Residual Heat Output . . . . . 750-1,000 sq. ft. (70 to 92.9 m<sup>2</sup>)
- Weight . . . . . 265 lbs (120.2 kg)
- Construction . . . . . Steel 1/4" & 5/16"
- Stove racks . . . . . 2
- Maximum Log . . . . . 13" (33.0 cm)
- Firebox Volume . . . . . 1.49 cu.ft (0.042 m<sup>3</sup>)
- Top Flue Size . . . . . 6" (15.2 cm)
- Efficiency Rating . . . . . 78%
- 5" (12.7 cm) Cook rings . . . . . 2

### Features



Supplied with 2 wire cooking racks



Cook Top: Direct radiant heat 1/4" top plate has 2 removable cook rings



Oven temperatures supplied with both a °F and °C thermometer



"Stay Cool" spring handle



With the flue bypass dampener closed, flue gases spill over the internal side plates of the firebox creating a convection cooking effect



Cast iron doors and ceramic glass

Model #	Description	UPC	Heat Output	Residual Heat Output	Weight	Warranty <sup>1</sup>	Product Dimensions (WxHxD)	
							Inches	cm
N550	Wood-fire Oven	781052124554	65,000 BTU's/hr	2,000-2,500 sq. ft.	465 lbs (210.9 Kg)	10 year limited	26-5/8 x 33 x 19-5/8	67.6 x 83.8 x 49.7
N350	Wood-fire Oven	781052124547	30,000 BTU's/hr	750-1,000 sq. ft.	265 lbs (120.2 Kg)	10 year limited	21-5/8 x 34 x 21	54.8 x 86.3 x 53.3

Specifications are subject to change. ©2022 Glen Dimplex Americas. <sup>1</sup>Limited warranty.

SE-570-R03-081122

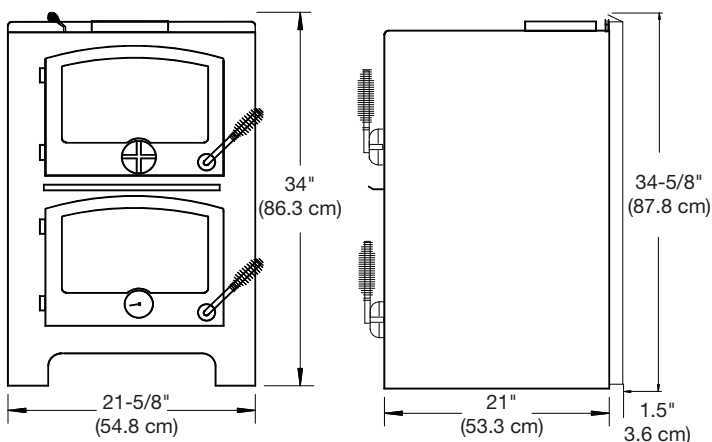


# Wood-Fire Oven

Wood-fire oven combined with wood-fire heating

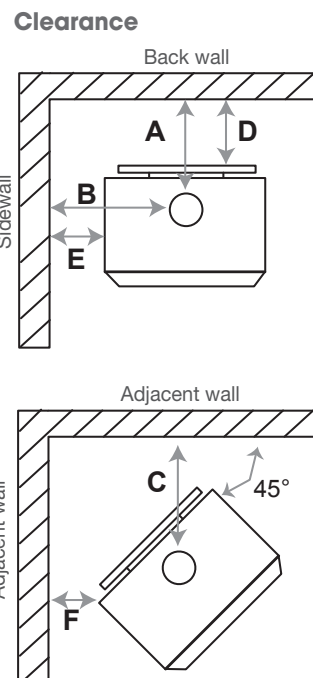
N350

## N350 Dimensions

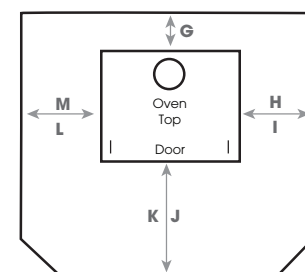


## Internal Dimensions

Firebox	Oven
13.5" (34.3 cm)	14" (35.6 cm)
12.0" (30.0 cm)	13.5" (34.3 cm)
12.5" (31.8 cm)	11" (28.0 cm)



## Non-combustible floor protector requirements



<b>G</b> = 8"	(20.3 cm)	Canada
<b>G</b> = 0"	(0.0 cm)	USA
<b>H</b> = 8"	(20.3 cm)	Canada
<b>I</b> = 5"	(12.7 cm)	USA
<b>J</b> = 18"	(45.0 cm)	Canada
<b>K</b> = 16"	(40.6 cm)	USA
<b>L</b> = 5"	(12.7 cm)	USA
<b>M</b> = 8"	(20.3 cm)	Canada

## Residential installation for Standard Clearances

Installation	Measurement to:	N350	
		Single Wall	Double Wall
Standard	Back Wall to Flue Pipe	<b>A</b>	16.5" (41.9 cm)
	Side Wall to Flue Pipe	<b>B</b>	22.0" (55.9 cm)
	Back Wall to Appliance	<b>D</b>	14.0" (35.6 cm)
	Side Wall to Appliance	<b>E</b>	14.0" (35.6 cm)
Corner	Wall to Flue Pipe	<b>C</b>	20.0" (50.8 cm)
	Wall to Appliance	<b>F</b>	11.5" (29.2 cm)

## EPA Cookstove Requirements

EPA Cookstove Requirements	N350
(1) Oven volume > 1 ft <sup>3</sup> (0,03 m <sup>3</sup> )	1,19 ft <sup>3</sup> (0,034 m <sup>3</sup> ) with oven rack
(2) Oven thermometer	<input checked="" type="checkbox"/>
(3) Flame path around oven	<input checked="" type="checkbox"/>
(4) Ash pan	Ash collection beneath oven
(5) Ash clean out beneath oven	Access ash pan through base of oven
(6) No fan or heat channels	<input checked="" type="checkbox"/>
(7) Cooking surface 1.5 times greater than firebox volume	Cooking surface = 2.6 ft <sup>3</sup> (0.074 m <sup>3</sup> )
(8) At least four sides of oven exposed to flame path	Firebox Volume = 1.49 ft <sup>3</sup> (0.042 m <sup>3</sup> )