

2023/2024

Flair®

WOOD
COLLECTION



Ambiance® Flair® 34



AMBIANCE®

FIREPLACES | GRILLS

Flair®

WOOD
COLLECTION



Ambiance® Flair® 34

- › Beautiful glass viewing area.
- › Patented automated variable air control that extends burn time.
- › Soapstone lining inside for a beautiful even heat output.
- › Faceplates offered optionally to aesthetically conceal any gap.
- › Chimney Sweeping Cap allows the chimney to be easily accessed for cleaning.
- › Innovative perforated baffle offering an unimpeded view of the fire.
- › Circulating Chamber designed to prevent heat escaping to the existing chimney.
- › EPA certified

United Buyers
GROUP 

FLEXIBLE FINANCING

Most Ambiance® Authorized Dealers offer advantageous & flexible financing solutions.

To apply online, visit
united-buyers-group.com/financing-program



FEATURES

AN EXCEPTIONAL FIRE

The Flair® 34 offers an exclusive combination of aesthetics and technology. For instance, Soapstone has no equal for heat management. It absorbs 15% more heat than firebrick and radiates heat 5 times more than firebrick. This increased efficiency is also the most beautiful to look at inside the firebox. It feels and looks rich!

HEATING COMFORT

The Flair® 34 features a unique patented air control system. This is an important detail when it comes to a wood fireplace. It allows you to slow down the fire to as low as 0.8kg per hour. It will extend burntime and generate heat at a more even rate. When choosing a wood fireplace, make sure it truly has this type of control over the fire!

Watch how it works:

www.ambiancefireplaces.com/wood-fireplaces



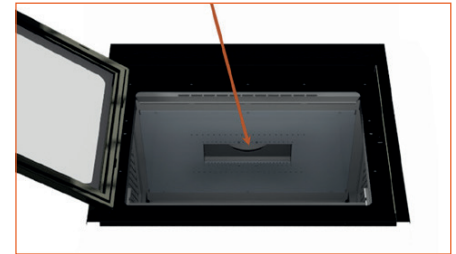
INNOVATIVE BAFFLE DESIGN

Most EPA units have secondary air tubes that reduce the firebox height and require maintenance. Our unique design allows secondary air to enter through a perforated baffle offering an unimpeded view of the fire all while increasing the efficiency and combustion.



DUAL PREMIUM QUALITY BLOWERS

The powerful yet whisper-quiet blowers effortlessly help distribute heat into the room. They are heat-activated and can be set with the variable speed control.



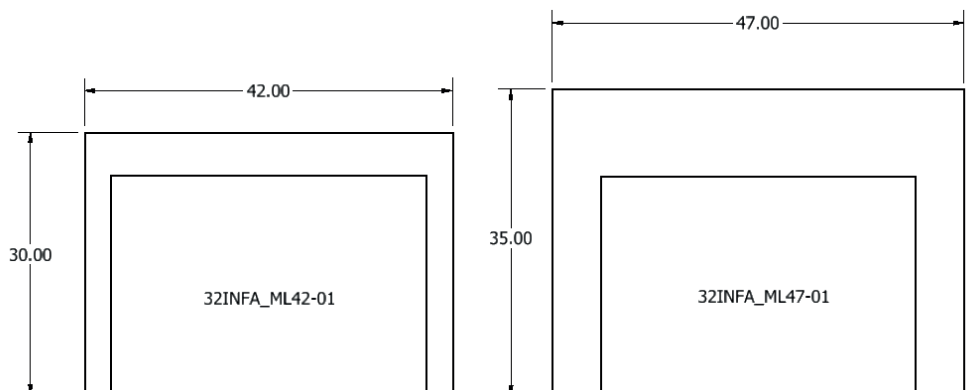
CHIMNEY SWEEPING CAP

Located on the baffle, this convenient feature allows the chimney to be easily accessed for cleaning, without requiring the removal of any components.



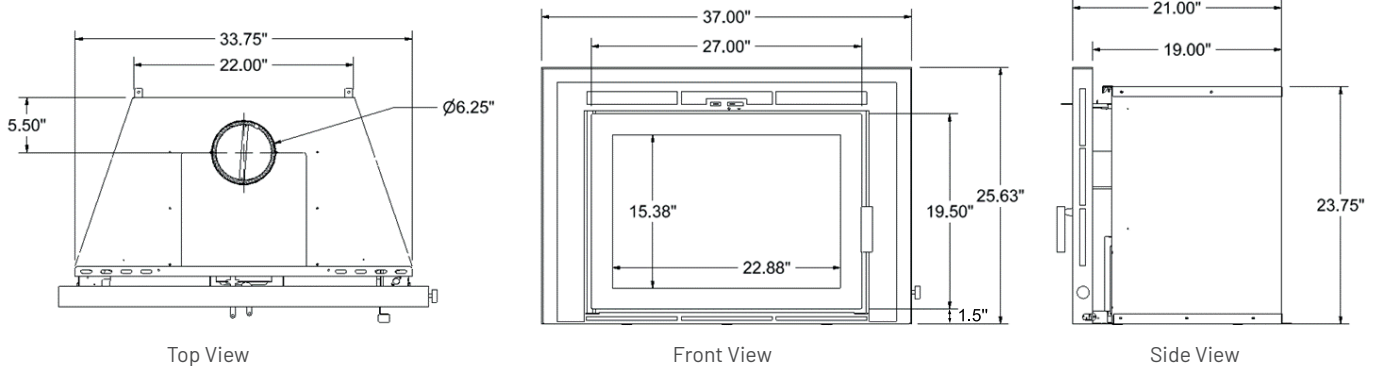
A 12 gauge thick backplate is offered optionally to aesthetically conceal the opening between the existing masonry fireplace and the surround of the unit. It can easily be trimmed all depending on the installation and the dimensions.

OPTIONAL BACKPLATE OVERLAY





TECHNICAL SPECIFICATIONS



BTU		FIREBOX		EFFICIENCIES			VENTING
Cordwood	EPA	Cu. Ft	Log Length	g / hr	Optimal %	HHV	Diameter
90,000	49.358	3.2	22"	1.59 g	75 %	66.07 %	6-inch

GLASS			DIMENSIONS			MINIMUM FIREPLACE OPENING			BLOWER	
Type	Dimensions	Area sq in	Width	Depth	Height	Width	Depth	Height	Type	CFM
Ceramic	22.875" W X 15.375" H	352	33.75"	19"	23.75"	34" W (Front) 22" W (Back)	19"	23.75"	Variable speed and heat activated	110

WHY CHOOSE AN AMBIANCE® FIREPLACE OR GRILL?

Ambiance® transforms a house into a home!

Ambiance® products will add elegance, peace of mind and comfort to the Soul of your home. All Ambiance® products are carefully selected and designed with your home in mind, to enrich the areas of your home where memories and life take place. The best quality and innovation are shown in the enhanced detail and features that add a little «je ne sais quoi» in our Ambiance® designs.

Who are our designers? They are a network of over 300 Hearth & BBQ authorized members from coast to coast covering both Canada and USA. From Alaska to Québec and Florida to California, they know what it takes to warm up your life and use their real-world experience to design quality and innovative products for your home.

Who can sell the Ambiance® products? Only our select authorized dealers who are local professionals and who understand your local codes and standards.

A house needs a sense of Ambiance® to transform into a home.

*Ambiance®
the Soul of your home*

Printed in Canada

