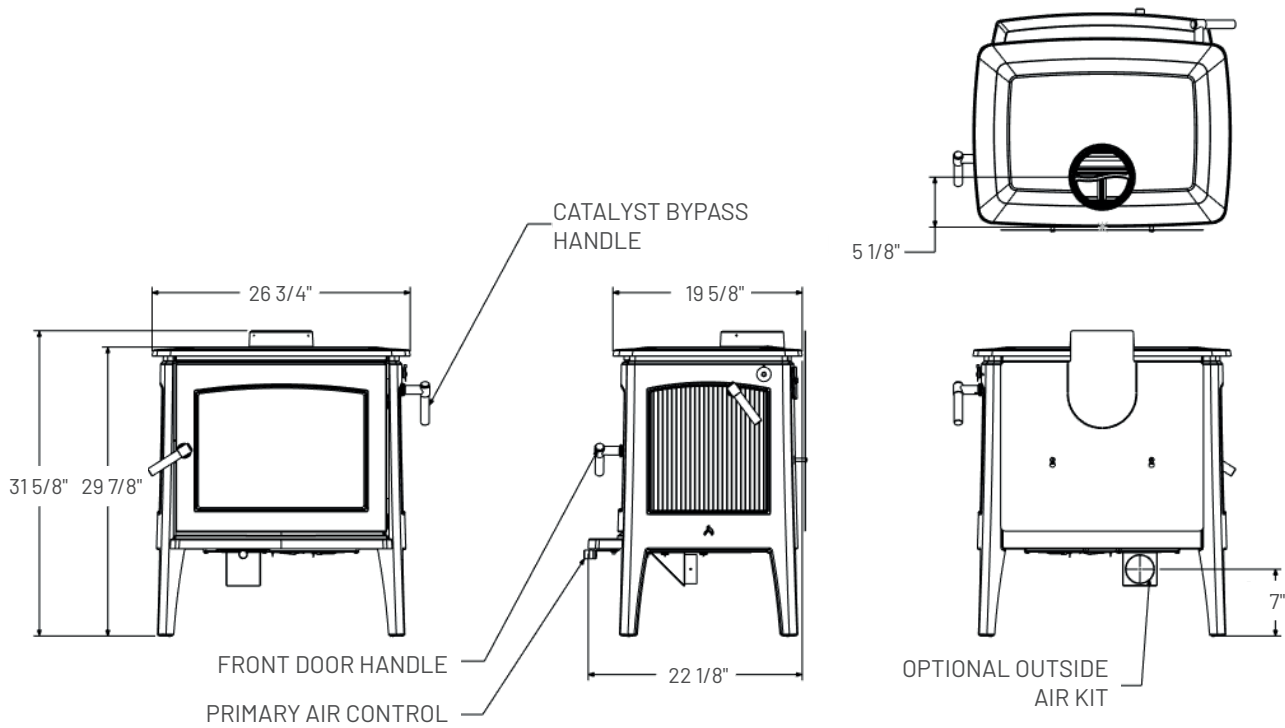




Model: Hipster® 20

Dimensions



BTU		FIREBOX		EFFICIENCIES			VENTING	
Cordwood	EPA	Cu. Ft	Log Length	g / hr	Optimal %	HHV	Type	Diameter
60,000	33.576	2.2	19"	0.6 g	82 %	79 %	Class A	6-inch

GLASS			DIMENSIONS			OPTIONAL BLOWER	
Type	Dimensions	Area sq in	Height	Depth	Width	Type	CFM
Ceramic	17.7" W X 12.37" H	219	31.63"	22.13"	26.75"	Variable speed and heat activated	150



Model: Hipster[®] 20

Hearth Requirements & Floor Protection

Ensure you protect combustible flooring with a covering of noncombustible material. The Hipster[®] 20 does not require an insulated hearth pad. The minimum floor protection must be met under the stove and extend beyond the stove as follows:

The minimum floor protection for US installations is 33.25 in x 33.5 in.

The minimum floor protection for installations in Canada is 42 in x 43.5 in.

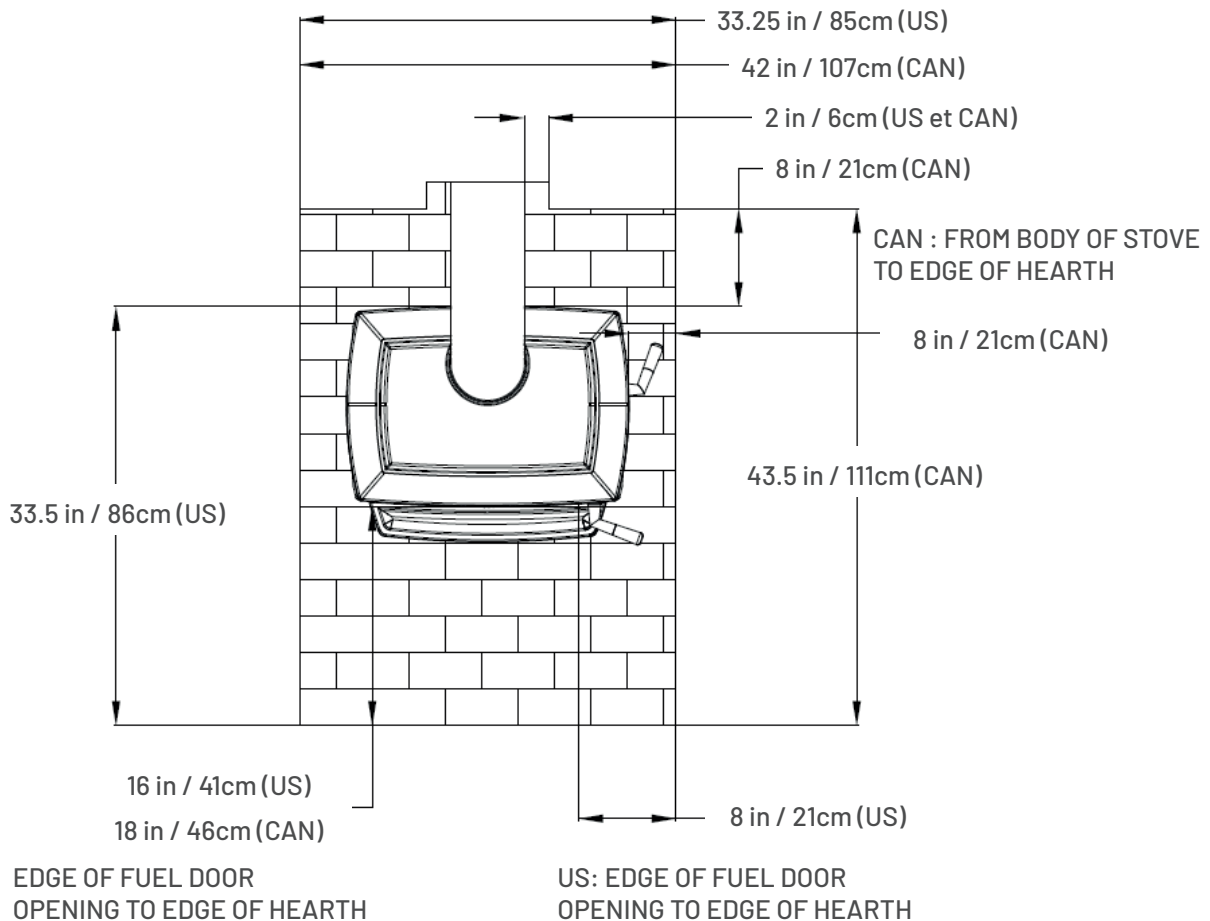


Figure 3 – Hearth Dimensions



Model: **Hipster**[®] 20

Clearance to Combustibles

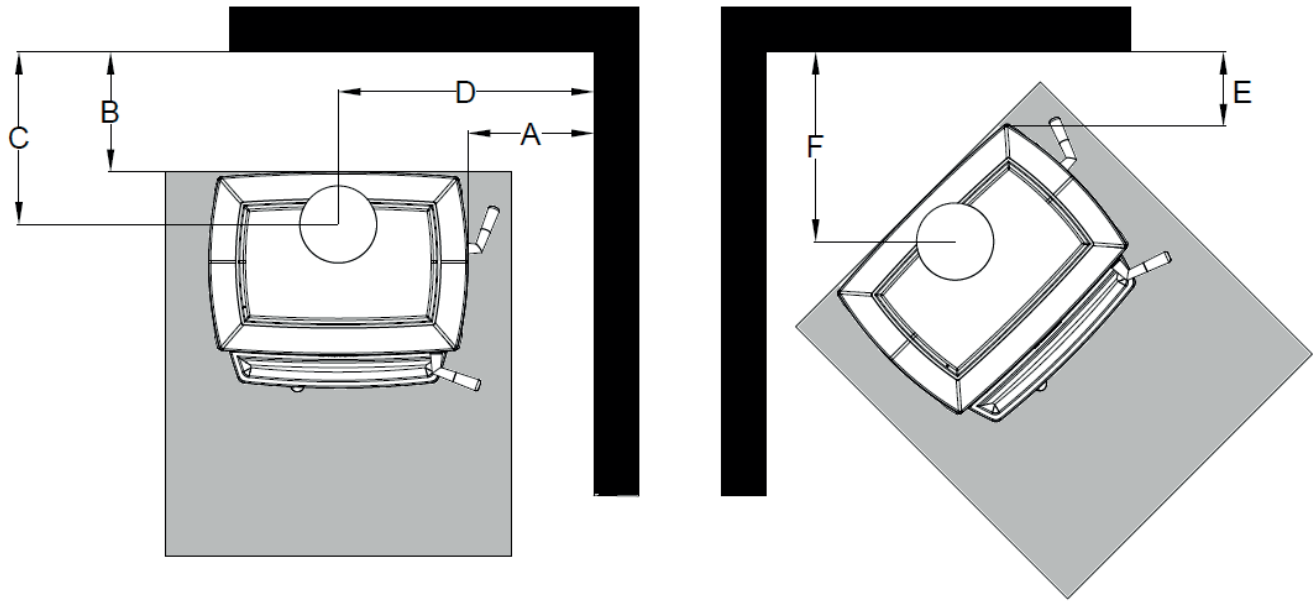


Figure 4 – Clearance to Combustibles

Clearances	Parallel				Corner	Corner
	A	B	C	D	E	F
Single wall Connector – Inc. Rear Heat Shield	13”-33cm	11”-28cm	16.125”-41cm	26”-66cm	7”-18cm	18.5”-47cm
Single Wall Connector – With Blower Kit Shield	13”-33cm	11”-28cm	16.125”-41cm	26”-66cm	7”-18cm	18.5”-47cm
Double Wall Connector – Inc. Rear Heat Shield	13”-33cm	11”-28cm	16.125”-41cm	26”-66cm	7”-18cm	18.5”-47cm
Double Wall Connector – With Blower Kit Shield	13”-33cm	5”-13cm	10.125”-26cm	26”-66cm	7”-18cm	18.5”-47cm
Single Wall Connector – No Rear Heat Shield	13”-33cm	17.5”-45cm	22.625”-58cm	26”-66cm	10”-26cm	20.5”-52cm
Alcove with Single or Double Wall connector - With Rear Heat Shield or Blower Kit Shield.	13”-33cm	11”-28cm	16.125”-41cm	26”-66cm	7”-18cm	18.5”-47cm

Alcove Clearances (inches)	Unprotected Surfaces	Protected Surfaces (NFPA-211)
Minimum alcove width	52”-132.1cm	See NFPA-211
Min. Alcove ceiling from floor with single wall connector	61.5”-156.2cm	See NFPA-211
Min. Alcove ceiling from floor with double wall connector	61.5”-156.2cm	See NFPA-211

FOR BLOWER KIT, USE KIT #96-57400



Model: **Hipster® 20**

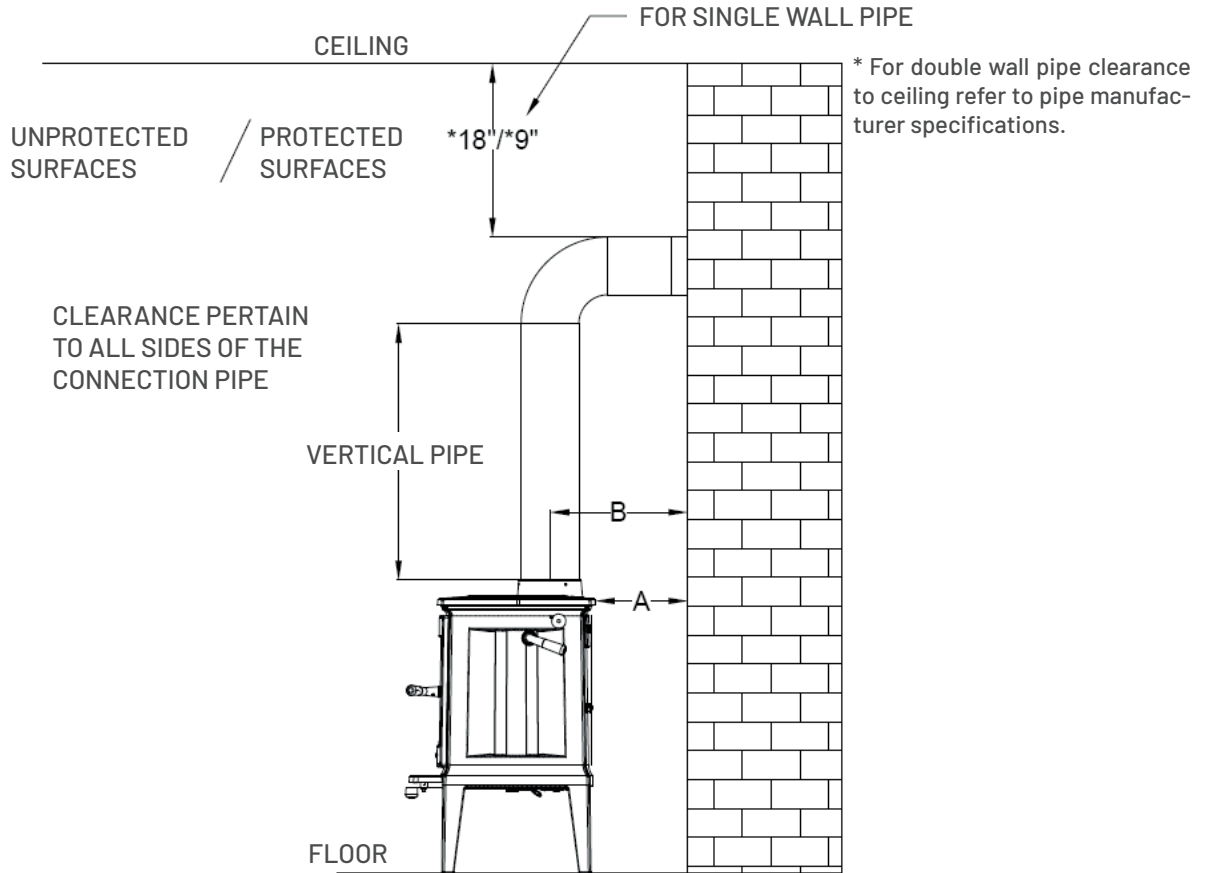


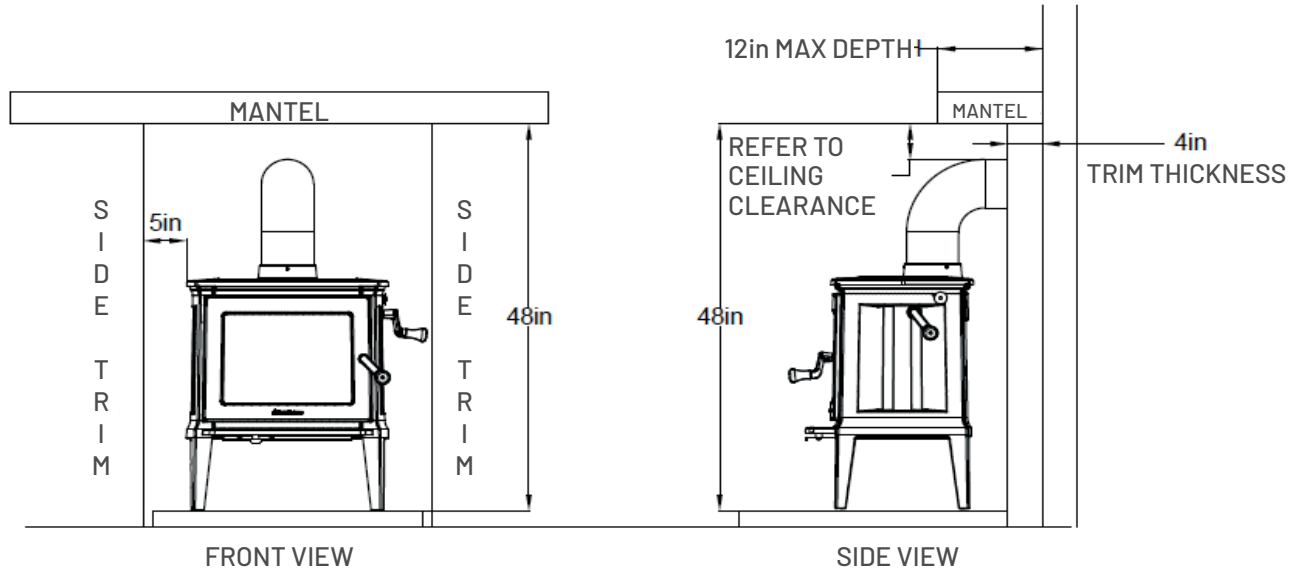
Figure 5 – Chimney Connector Clearances

Through the wall top flue exit	Single Wall Pipe			Double Wall Pipe	
	With Blower Kit Shield**	No Rear Heat Shield	Inc. Rear Heat Shield	With Blower Kit Shield**	Inc. Rear Heat Shield
A	11"-28cm	17.5"-42cm	11"-28cm	5"-13cm	11"-28cm
B	16.125"-41cm	22.625"-58cm	16.125"-41cm	10.125"-26cm	16.125"-41cm

FOR BLOWER KIT, USE KIT #96-57400



Model: Hipster® 20



CLEARANCES APPLY WITH STOVE IN FIREPLACE ALSO
Figure 6 - Trim and Mantel Clearances

Optional Fresh Air Kit and Blower

The outside air kit for this stove (Kit #96-53400) allows for the direct connection of the stove's air intake to a minimum 3" (76 mm) diameter duct (supplied by others)* which leads to the outside of the house. An adaptor for 4" duct is available if needed (KIT #90-53308). The outside air kit attaches to the underside of the stove. Refer to the instructions provided with the kit for installation.

Variable Speed Heat Activated Fan

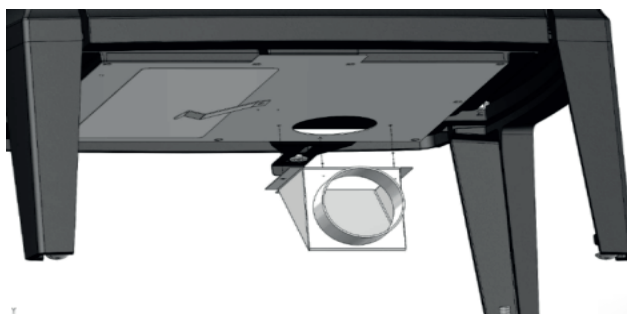


Figure 7 - Outside Air Kit Detail