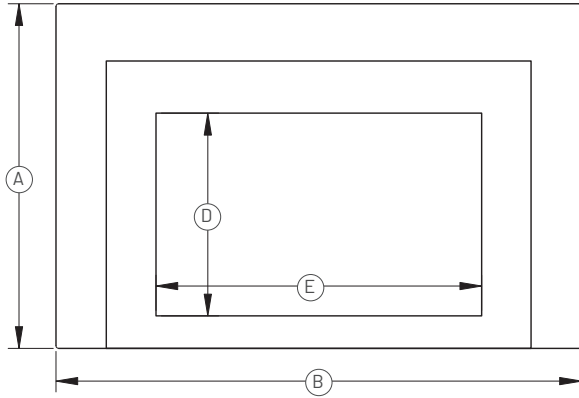
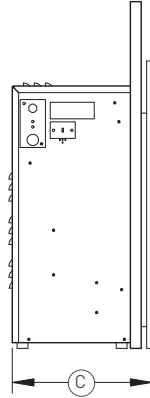




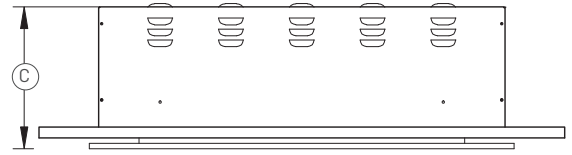
Models: **Ins-Amb-30, Ins-Amb-34**



Front view



Side View



Top view

ENERGY			ENERGY CONSUMPTION		FLAME TECHNOLOGY		POWER SUPPLY AND HEATING CAPACITY		
Volts	Amps	Watts	Heater On	Heater Off	Lamps	Rotor Motor	Plug Location	Cord Length	Heating Area
120	12.5	1500 max	High 1500 w / Low 750 w	13 watts	LED	1 to 5 watts	Left side	76"	Approx. 400 sq. ft.

	GLASS			DIMENSIONS			OPTIONAL BLOWER	
	Type	Dimensions (DxE)	Area sq in	Height (A)	Depth (C)	Width (B)	Type	CFM
30	Ceramic	14.625" X 23.5"	344	19"	8.75"	29.375"	Variable speed	100
34	Ceramic	18.625" X 27.625"	514	23.375"	8.75"	33.125"	Variable speed	100



Models: Ins-Amb-30, Ins-Amb-34

Framing and Clearances

The side and back must maintain 1" (25.4mm) clearance to any material. The top must maintain (25.4mm) clearance to any material. The top must maintain a 3/8" (10mm) clearance to any material.

