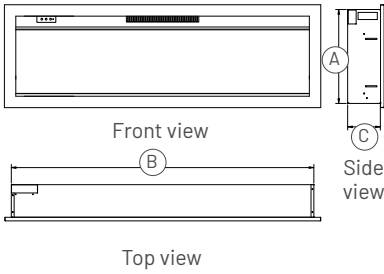


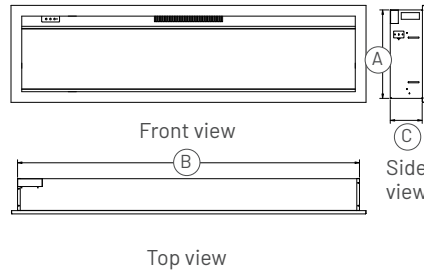


MODELS: **IW-50, IW-60, IW-74**

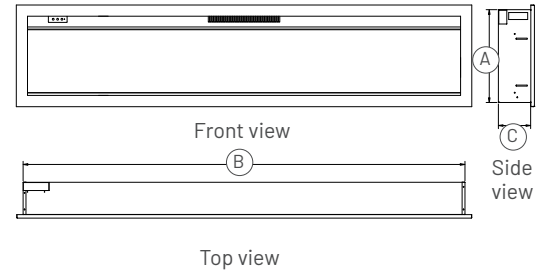
AMB-IW-50



AMB-IW-60



AMB-IW-72



ENERGY			ENERGY CONSUMPTION		FLAME MOTOR		HEATING AREA
Volts	Amps	Watts	High	Off	Lamps	Rotor Motor	Area sq in
120	12.5	1500 max	High 1500 w / Low 750 w	22 watts	LED	1 to 5 watts	500

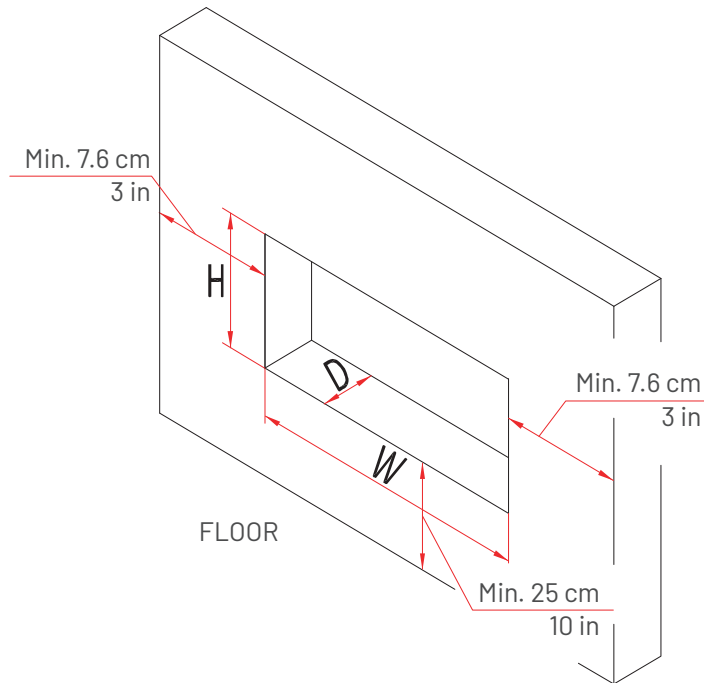
	GLASS			DIMENSIONS			BLOWER INCLUDED	
	Type	Dimensions	Area sq in	Height (A)	Depth (C)	Width (B)	Type	CFM
50	Ceramic	13.25" X 48.75"	646	15.625"	5.625"	50.25"	Heat activated, single speed	100
60	Ceramic	13.25" X 58.75"	778	15.625"	5.625"	60.25"	Heat activated, single speed	100
74	Ceramic	13.25" X 72.75"	964	15.625"	5.625"	74.25"	Heat activated, single speed	100



MODELS: **IW-50, IW-60, IW-74**

Framing and Clearances

The rough wall opening size of the fireplace:



	W (")	D (")	H (")
AMB-IW-50	51 1/4	6	16
AMB-IW-60	61 1/4	6	16
AMB-IW-74	75 1/4	6	16