



# Intrigue 42

## INSTALLATION, OPERATION, AND MAINTENANCE MANUAL

MODEL: **UF0100**

GAS FIRED DIRECT VENT FIREPLACE  
S/N 622638 AND UP



This appliance may be installed in an aftermarket permanently located, manufactured home (USA only) or mobile home where not prohibited by local codes.

This appliance is only for use with the type of gas indicated on the rating plate. This appliance is not convertible for use with other gases, unless a certified kit is used.



**WARNING:**

**FIRE OR EXPLOSION HAZARD**

Failure to follow safety warnings exactly could result in serious injury, death, or property damage.

- Do not store or use gasoline or other flammable vapors or liquids in the vicinity of this or any other appliance.

**- WHAT TO DO IF YOU SMELL GAS:**

- Do not try to light any appliance
- Do not touch any electrical switch; do not use any phone in your building
- Leave the building immediately
- Immediately call your gas supplier from a neighbor's phone. Follow the gas suppliers instructions
- If you can not reach your gas supplier, call the fire department

- Installation and service must be performed by a qualified installer, service agency or the gas supplier.

English and French Installation Manuals available through your local dealer or visit our website at: [www.archgard.com](http://www.archgard.com)  
Les manuels d'installation en anglais et en français son disponibles chez votre détaillant local ou en visitant notre site web: [www.archgard.com](http://www.archgard.com)



## DANGER



**HOT GLASS WILL CAUSE BURNS.**

**DO NOT TOUCH GLASS UNTIL COOLED.**

**NEVER ALLOW CHILDREN TO TOUCH GLASS.**

A barrier designed to reduce the risk of burns from the hot viewing glass is provided with this appliance and must be installed for the protection of children and other at-risk individuals.

**NATIONAL FIREPLACE INSTITUTE®**



**CERTIFIED**  
[www.nficertified.org](http://www.nficertified.org)

We recommend that our gas hearth products be installed and serviced by professionals who are certified in the U.S. by the National Fireplace Institute® (NFI) as NFI Gas Specialists.

**INSTALLER:**

LEAVE THIS MANUAL WITH THE APPLIANCE.

**CONSUMER:**

RETAIN THIS MANUAL FOR FUTURE REFERENCE.

**ARCHGARD FIREPLACE PRODUCTS**

7116 Beatty Drive

Mission, BC V2V 6B4 Canada

Canada

**ENERGUIDE**

Gas Fireplace Energy Efficiency Rating

**76.38%**

Based on CSA P.4.1-15



200-U100-20  
April 18, 2023

# TABLE OF CONTENTS

<b>1.0 Introduction</b> .....	3	<b>12.0 Mantel &amp; Chase Requirements</b> .....	28
<b>2.0 Safety Information</b> .....	4	<b>13.0 Gas Line Connection</b> .....	29
<b>3.0 Technical Information</b> .....	5	13.1 Clocking Procedure.....	29
3.1 Appliance Certification.....	5	<b>14.0 Conversion Kit Instructions</b> .....	30
3.2 Installation Codes.....	5	<b>15.0 Firebox Liner Installation</b> .....	32
3.3 Specifications.....	5	15.1 Brick Panel Installation.....	32
3.4 High Altitude Installation.....	5	15.2 Reflective Glass Installation.....	34
<b>4.0 Rating Plate</b> .....	6	<b>16.0 Log Set Installation</b> .....	36
<b>5.0 Installation Checklist</b> .....	7	<b>17.0 Operation</b> .....	42
<b>6.0 Appliance Overview</b> .....	8	17.1 Before Lighting.....	42
6.1 UF0100 Components List.....	8	17.2 First Fire.....	43
6.2 Installation Overview.....	9	17.3 Lighting Instructions.....	44
6.3 Barrier Screen.....	10	17.4 Remote Control Operation.....	45
6.4 Glass Door Installation.....	11	<b>18.0 Maintenance</b> .....	50
6.5 Grill Set.....	12	18.1 Cleaning and Routine Maintenance.....	50
<b>7.0 Electrical Connections</b> .....	13	18.2 Pressure Testing.....	51
7.1 Light Installation.....	13	18.3 Flame Appearance.....	52
<b>8.0 Fireplace Dimensions</b> .....	14	18.4 Replacing Batteries.....	54
<b>9.0 Prepare The Fireplace</b> .....	15	18.5 Replacing Fuse.....	54
9.1 Installation Overview.....	15	18.6 Replacing the Burner.....	55
9.2 Stand-off Assembly & Installation.....	16	18.7 Replacing the Control Board.....	57
9.3 Horizontal Vent Heat Shield Installation.....	17	18.8 Wiring Schematic.....	58
9.4 Nailing Flange Assembly & Installation.....	18	18.9 Troubleshooting.....	59
<b>10.0 Venting Instructions</b> .....	19	<b>19.0 Frequently Asked Questions</b> .....	60
10.1 Approved Venting.....	19	<b>20. Replacement Parts List</b> .....	61
10.2 Horizontal Terminations.....	19	<b>Limited Warranty</b> .....	62
10.3 Vertical Terminations.....	20		
10.4 Vent Run Guide.....	21		
10.5 Termination Vent Cap Location.....	22		
<b>11.0 Framing and Clearances</b> .....	24		
11.1 Wall Enclosure Rough Opening.....	24		
11.2 Optional Full Door Face Dimensions.....	25		
11.3 Ventilation Framing.....	26		
11.4 Typical Installation Options.....	27		

# General Information

## 1.0 Introduction

Thank You and Congratulations for choosing an Ambiance Gas Fireplace!

The **UF0100** is one of the most advanced Direct Vent heaters available today. It is solidly designed using the latest technology and manufactured to the highest quality. It is our aim to provide you with an appliance that brings many trouble-free years of reliable service.

Some of the many features of your **UF0100** are:

- **Heater Classification** This fireplace is classified as a heating appliance. Therefore, it uses Direct Vent safety technology and it is suitable for continuously operated zone heating.
- **High Efficiency** This fireplace has one of the highest efficiencies of any Direct Vent gas fireplace heaters, ensuring it is less expensive to operate.
- **Adjustable Fan Speed** This fireplace comes complete with an adjustable six speed circulation fan controlled with the remote.
- **Adjustable Flame** This fireplace provides the ability to adjust the flame aesthetics and heat output to suit the owner's liking and heating needs.
- **Adjustable Lighting** Use the included remote to choose from six levels of accent lighting or leave the light off and allow the flame to provide a flickering glow.
- **Solid Construction** This fireplace is mainly constructed of 16 and 18 gauge galvanized and aluminized coated steel for long life and durability.
- **Optional Accessories** Speak with your local Authorized Ambiance Dealer for a full complement of decorative accessories to suit your home's decor and personal tastes.
- **Multiple Electronic Pilot Settings** This fireplace uses a gas control valve that is operated by a Multifunction Remote Control. It can be set up as either an Intermittent Pilot Ignition (IPI) system, or Continuous Pilot on Demand Ignition (CPI) system (also known as a Pilot on Demand (POD)).

### CPI vs IPI:

**Continuous Pilot on Demand Ignition (CPI):** In this mode the pilot runs continuously even when the main burner is off. The Continuous Pilot on Demand Ignition operates on a seven day cycle. If the main burner is not turned on for seven continuous days, the pilot will turn itself off. When the main burner is lit again the cycle repeats. The pilot will remain lit for seven days, even after the main burner is turned off. If the main burner is lit during a seven day timing cycle, the seven day timer will reset.

**Intermittent Pilot Ignition (IPI):** A fuel saving mode in which the pilot is only used when the main burner is on.

This appliance is shipped in IPI mode. IPI mode is often the preferred method, however, there are some situations where it may be preferable to switch the fireplace into CPI mode. For example, in colder climates the glass door or the front of the fireplace could become very cold to the touch. Dynamic Start Advantage will solve most problems experienced by older IPI operated fireplaces.

Please complete and submit the warranty registration card included in the back of this manual or by visiting us at:  
[www.archgard.com/warranty-registration](http://www.archgard.com/warranty-registration)

## 2.0 Safety Information

### Caution

**FOR YOUR SAFETY** - Do not install or operate your **UF0100** without reading and understanding this manual. Any installation or operational deviation from this instruction manual voids the warranty and may prove hazardous.

- This appliance must be installed by a qualified gas installer and the installation must conform to the installation codes
- Provide adequate clearance around air openings into combustion chamber
- Never obstruct front openings
- Provide adequate clearances for proper operation and servicing of the appliance
- This appliance must be properly connected to an approved venting system and must not be connected to a chimney flue serving a separate solid fuel burning appliance
- Flow of combustion and ventilation air must not be obstructed - always provide adequate combustion and ventilation air
- Always provide adequate clearance around the intake and exhaust openings

### Safety

- Due to high temperatures, the appliance should be located out of traffic and away from furniture and draperies
- Children and adults should be alerted to the hazards of high surface temperature and stay away to avoid burns or clothing ignition
- If this appliance is installed directly on carpeting, tile, or other combustible material other than wood flooring, the appliance shall be installed on a metal or wood panel extending the full width and depth of the appliance
- Young children should be carefully supervised when they are in the same room as the appliance. Toddlers, young children and others may be susceptible to accidental contact burns. A physical barrier is recommended if there are at risk individuals in the house. To restrict access to a fireplace or stove, install an adjustable safety gate to keep toddlers, young children and other at risk individuals out of the room and away from hot surfaces
- Do not store or place combustibles, gasoline, and other flammable vapors and liquids near the appliance
- Clothing or other flammable material should not be placed on or near the appliance
- **WARNING:** Do not operate appliance with the glass front removed, cracked, or broken. Removal of the glass should be done by a licensed or qualified service person. Do not to strike or slam the glass
- Any safety screen or guard removed for servicing an appliance must be replaced prior to operating
- Installation and Repair should be done by a qualified service person. The appliance should be inspected before use and at least annually by a professional service person. More frequent cleaning may be required due to excessive lint from carpeting, bedding materials, etc. It is imperative that the control compartments, burners and circulating air passageways of the appliance are kept clean
- Under no circumstances should any solid fuel (wood, coal, paper or cardboard, etc.) be used in this appliance
- Keep burner and control compartment clean
- Do not use this appliance if any part has been under water. Immediately call a qualified service technician to inspect the appliance and to replace any part of the control system and any gas control which has been under water
- **California Proposition 65 Warning:** This product can expose you to chemicals including Carbon Monoxide, that is an externally vented by-product of fuel combustion, which is [are] known to the State of California to cause cancer, birth defects, or other reproductive harm. For more information, visit [www.P65Warnings.ca.gov](http://www.P65Warnings.ca.gov).

Each Ambiance Gas Fireplace is checked and tested at the factory prior to being packaged and shipped to our dealers and finally installed in your home. Before leaving this unit with the customer, the installer must ensure that the appliance is firing correctly and that the electrical system is in working order. The Installation Checklist in **Section 5.0** should be used to ensure the proper installation of this gas fireplace heater and to document any deviations from a typical install.

**Any alteration to the product that causes carbon or soot deposits that results in any damage or requires cleaning is not the responsibility of the manufacturer.**

## 3.0 Technical Information

### 3.1 Appliance Certification

This appliance was listed by QAI LABORATORIES to the following USA and Canadian gas appliance standards.

- ANSI Z21.88-2019 / CSA 2.33-2019 Vented Gas Fireplace Heaters,
  - CAN/CGA 2.17-M91 (R2009) Gas Fired Appliances for use at High Altitudes,
  - CSA P.4.1-15 Testing Method for Measuring Annual Fireplace Efficiency,
  - CSA C22.2 No.3 - M1998(R.2014) - Electrical Features of Fuel-Burning Equipment
- The listing label is attached to the appliance on the bottom right side of the appliance.

A copy is shown on **Section 4.0**.

**Commonwealth of Massachusetts:** This appliance has been manufactured in accordance with Massachusetts code 248 CMR 5.00. Approval Code: G1-0216-394. ([https://licensing.reg.state.ma.us/pubLic/pl\\_products/pb\\_pre\\_form.asp](https://licensing.reg.state.ma.us/pubLic/pl_products/pb_pre_form.asp)).

Please contact **Archgard Industries Ltd.**, if you have any questions regarding the certification of this appliance.

### 3.2 Installation Codes

This appliance must be installed by a qualified gas appliance installer. The installation must conform with the local codes or, in the absence of local codes, with the current National Fuel Gas Code ANSI Z223.1/ NFPA 54 in the US, or Installation Code CAN/CGA-B149.1 in Canada. Electrical connections and grounding must conform with local code, or current National Electrical code ANSI/NFPA No. 70-1987 in the US, and in Canada the current Canadian Electrical Code CSA C22.1.

**We recommend that our gas hearth products be installed and serviced by professionals who are certified in the U.S. by the National Fireplace Institute® (NFI) as NFI Gas Specialists.**

### 3.3 Specifications


	Natural Gas (NG)	Propane (LP)
<b>Manifold Pressure</b>	1.1 - 3.8 in. W.C. (0.3 - 0.9 kPa)	2.9 - 11.0 in. W.C. (0.7 - 2.73 kPa)
<b>Min. Supply Pressure</b> <b>Max Supply Pressure</b>	5.0 - 14.0 in. W.C. (1.2 - 3.5 kPa)	12.0 - 14.0 in. W.C. (2.9 - 3.5 kPa)
<b>Orifice Size</b>	#56 & #34 DMS (1.18 & 2.82 mm dia.)	#63 & #51 DMS (0.94 & 1.70 mm dia.)
<b>Input Rating</b>	19,500 - 39,500 BTU/hr (5.72 - 11.58 kW)	19,500 - 39,500 BTU/hr (5.72 - 11.58 kW)
<b>P.4 Fireplace Efficiency (FE)</b>	76.38%	78.27%
<b>P.4 Steady State Efficiency</b>	76.65%	80.23%
<b>Electrical Rating</b>	120 VAC, 60 Hz, less than 2 A.	
<b>Gas Control</b>	SIT 885 with Proflame II with Continuous Pilot On Demand	
<b>Altitude</b>	0 - 4500 ft (0 - 1372 m)	
<b>Primary Air Opening</b>	Closed / 1/8" (3mm) Open	5/8" (16 mm) / 5/8" (16 mm) Open

### 3.4 High Altitude Installation

When installing this appliance beyond 4500 ft. (1372 M) above sea level, the appliance must be properly derated and installed according to local codes, in the absence of local codes, with the current National Fuel Gas Code, ANSI Z223.1/ NFPA 54, in the US or Installation Code, CAN/CGA-B149.1, in Canada.

## 4.0 Rating Plate

DO NOT REMOVE THIS LABEL



**Model: UF0100** (Manufactured as Natural Gas)

**VENTED GAS FIREPLACE HEATER and GAS-FIRED APPLIANCES FOR USE AT HIGH ALTITUDES.**  
 Tested to: ANSI Z21.88-2019 / CSA 2.33-2019, CAN/CGA 2.17-M91 (R2009), CSA P.4.1-15, CSA C22.2 No.3 - M1998(R.2014).  
 This vented gas fireplace heater is not for use with air filters. Certified for use in both CANADA and USA.

**VENTED GAS FIREPLACE HEATER-NOT FOR USE WITH SOLID FUEL.**

	NG	LPG
Input rating	19,500 - 39,500 BTU/hr (5.72 - 11.58 kW)	19,500 - 39,500 BTU/hr (5.72 - 11.58 kW)
Manifold Pressure	1.1 - 3.8 in. W.C. (0.3 - 0.9 kPa)	2.9 - 11.0 in. W.C. (0.7 - 2.73 kPa)
Orifice size	#56 & #34 DMS (1.18 & 2.82 mm dia.)	#63 & #51 DMS (0.94 & 1.70 mm dia.)
Supply pressure (Min - Max)	5.0 - 14.0 in. W.C. (1.1 - 2.9 kPa)	12.0 - 14.0 in. W.C. (2.9 - 3.5 kPa)
Burner Primary Air Setting	Close / 1/8" (3mm) Open	1/8" (16 mm) / 1/8" (16 mm) Open
Altitude	0 - 4500 ft (0 - 1372 m)	0 - 4500 ft (0 - 1372 m)
Gas Control	Direct Vent 8850, oflame II with Continuous POD	
Fireplace Efficiency (FE) Rating	76.5%	78.27%
Electrical rating	120 VAC, 60 Hz, less than 2 A.	
Replacement fan	Part no. RF-305-0224 fan or blower assembly must be used	
Vent System Minimum Clearances to Combustibles: HOR: ALL SIDES: 1" (25MM) VENT: 1" (25MM) VENTING REQUIREMENTS: - Min Horizontal: 4" elbow / 6" (152mm) - Max Horizontal: 3ft. (0.91m) - Min Vertical: 45° elbow / 12" (305mm) - Max Vertical: 12" (305mm)	Minimum clearances to Combustibles: Front: 36" (914mm), Back: 1/2" (13mm), Floor: 0" (0mm) Sides: 1/2" (13mm), Unit top to ceiling 31" (787mm) Unit top to trim 10" (254mm)-max depth: 1" (25mm) Side of unit to adjacent sidewall: 3" (76mm) Top of fireplace to mantel 12 1/2" (318mm) Max depth: 9" (229mm) Fireplace may be recessed into combustible construction: 21.5" (546mm)	
Keep burner and control compartment clean. See Instructions.		
Optional fuel conversion kit : See Manual		

This appliance must be installed in accordance with local codes, if any; if none, follow the National Fuel Gas Code, ANSI Z223.1/NFPA 54, or Natural Gas and Propane Installation Codes, CSA B149.1. Electrical connections and grounding must be in accordance with local codes, if any; if none, follow the current CAN/CSA C22.1 in Canada and ANSI/NFPA 70 in the US. This appliance is certified for installation in a bedroom or a bed sitting room. This appliance is only for use with the gas indicated on the rating plate and may be installed in an aftermarket, permanently located, manufactured (mobile) home where not prohibited by local codes. See owner's manual for details. This appliance is not convertible with other gases, unless a certified kit is used.

**WARNING:** Improper installation, adjustment, alteration, service, or maintenance can cause injury or property damage. Refer to the owner's information manual provided with this appliance. For assistance or additional information consult a qualified installer, service agency, or the gas supplier. This appliance must be properly connected to a Direct Vent venting system in accordance with the manufacturer's installation instructions.

**WARNING:** Failure to install this appliance per the manufacturer's instructions or failure to use only parts specifically approved with this appliance may result in property damage or personal injury.



**WARNING:** Do not operate the appliance until all sections have been assembled and installed in accordance with the manufacturer's instructions.

**WARNING:** Operation of this appliance when not connected to a properly installed and maintained venting system can result in carbon monoxide (CO) poisoning and possible death.

**ONLY DOORS CERTIFIED WITH THE APPLIANCE SHALL BE USED.**  
 For use only with barrier part # UF0100/110-BS. Follow installation instructions.

Made in Canada by:  
 Archgard Industries Ltd.  
 7116 Beatty Dr., Mission, B.C.

October 2021 303-6100-09

MANUFACTURE DATE:

Figure 4.0.01:

## 5.0 Installation Checklist

This standard installation checklist is to be used by the installer in conjunction with, not instead of, the instructions contained within this installation manual.

<b>Customer:</b> _____ <b>Install Address:</b> _____	<b>Date Installed:</b> _____ <b>Location of Fireplace:</b> _____ <b>Installer:</b> _____
---	--

<b>Appliance Install: (Section 9.0)</b>	<b>YES</b>	<b>IF NO, WHY NOT?</b>
Verified that the chase is insulated and sealed.		
Standoffs, side nailing flanges, and top nailing flange extension are installed.		
Fireplace is leveled and secured.		
<b>Venting: (Section 10.0)</b>	<b>YES</b>	<b>IF NO, WHY NOT?</b>
Venting configuration complies with vent diagrams.		
Venting installed and secured in place maintaining proper clearances.		
<b>Maintained 1/4" rise for every 1 ft. on horizontal run.</b>		
Terminations installed and sealed in compliance with local building code.		
Direct vent termination is highest point in vent assembly.		
<b>Wiring / Electrical: (Section 7.0)</b>	<b>YES</b>	<b>IF NO, WHY NOT?</b>
Connected to household 110/120v per local codes.		
Unit is properly grounded.		
<b>Gas: (Section 13.0)</b>	<b>YES</b>	<b>IF NO, WHY NOT?</b>
Proper appliance for fuel type?		
Was a conversion performed?		
Leak check performed & inlet and manifold pressures verified?		
Verified proper air shutter setting?		
<b>Finishing (Section 12.0):</b>	<b>YES</b>	<b>IF NO, WHY NOT?</b>
Only noncombustible material installed in noncombustible areas.		
Clearances meet installation manual requirements.		
Mantels and/or projections comply with install manual.		
<b>Appliance Setup:</b>	<b>YES</b>	<b>IF NO, WHY NOT?</b>
Burner media / log set, glass door, and screen installed according to install manual.		
Manual given to home owner.		
Did you check operation of lights, fans, and flame modulation?		
<b>Comments:</b>		

## 6.0 Appliance Overview

### 6.1 UF0100 Components List

DESCRIPTION	
IPI Control Board Assembly with Continuous Pilot On Demand	Glass Frame Assembly
Manual Gas Shut-off Valve	Double Receptacle Assembly
Burner Assembly	Grill Assembly
Refractory Set (back and sides) (optional - purchased separately)	Remote Control
Log Package	Light Kit
	Fan Kit

### CONTROL SYSTEM COMPONENTS

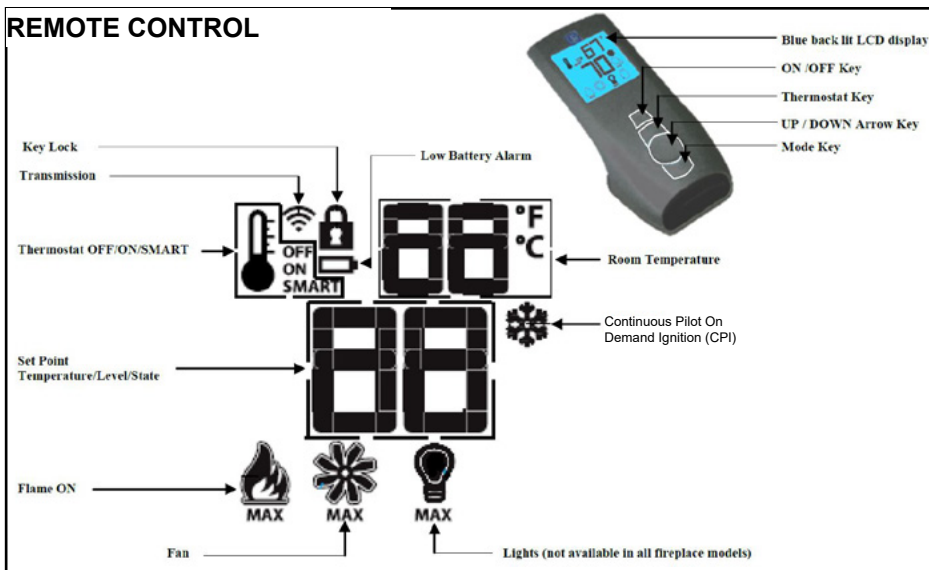


Figure 6.1.01:

### PILOT ASSEMBLY

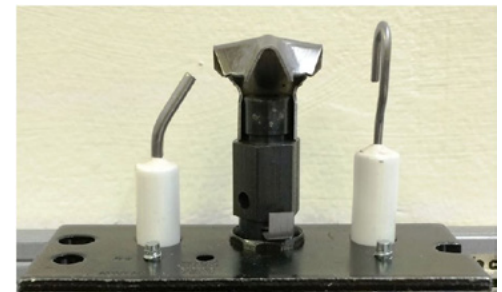


Figure 6.1.02:

### GAS VALVE

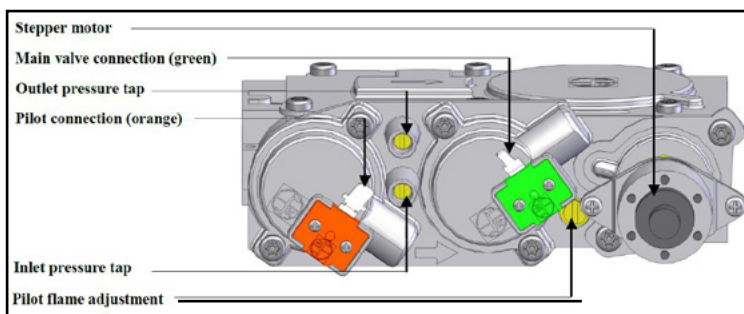


Figure 6.1.03:

### CONTROL BOARD

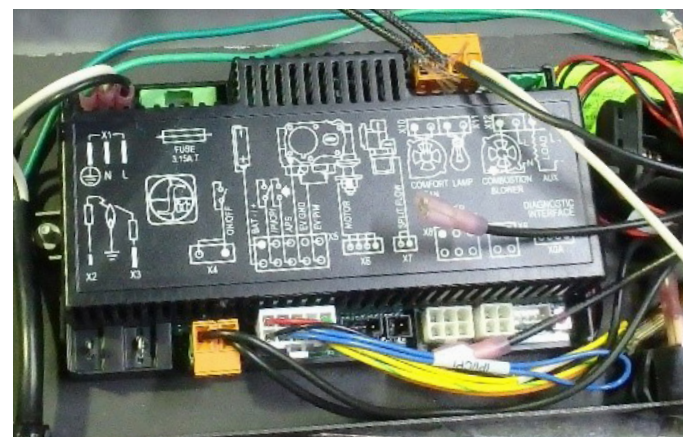


Figure 6.1.04:



## 6.2 Installation Overview

### NOTE

The qualified installer should follow the procedure best suited for the installation.

### NOTE

This appliance must be electronically grounded and connected in accordance with local codes, or in the absence of local codes, with the National Electrical Code, ANSI/NFPA 70 Current Edition, or the Canadian Electrical Code CSA C22.1.

1. Frame an opening for the fireplace, allowing for vent installation (top or rear) and type of installation (corner or flat wall application).
2. If masonry (optional) is used, prepare foundation for the masonry load. A lintel is required to support the added weight above fireplace.
3. Attach nailing flanges to fireplace.
4. Insert fireplace into framing.
5. Install hearth (if applicable).
6. Complete electrical hook-up. Install any standard or optional electrical components.
7. Complete gas line installation.
8. Complete venting installation.
9. Secure fireplace to flooring through holes in outer box bottom and to framing with nailing flanges. Verify all clearances.
10. Install facing material (non-combustible to 10" above the fireplace), mantel or cabinetry, allowing room for optional full face doors, if applicable.
11. Install the panel set.
12. Install logs.
13. Install grills and optional decorative doors / faces.
14. Verify proper operation of fireplace and all components.

### PLACEMENT CLEARANCE REQUIREMENTS

- This fireplace must be installed on a level surface capable of supporting the fireplace and venting
- Fireplace must be placed directly on wood or non-combustible surface (not linoleum or carpet) extending entire depth and width of fireplace
- Facing material must be all non-combustible to 10" above the fireplace
- Due to high surface temperatures, fireplace should be located out of traffic and away from furniture and draperies
- This fireplace may be installed in a bedroom
- Please be aware of the large amount of heat this fireplace will produce when determining a location

## 6.3 Barrier Screen

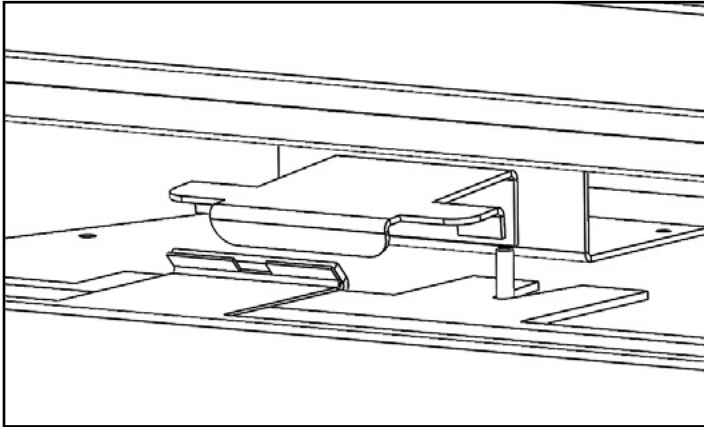


Figure 6.3.01: Screen retainer Latches

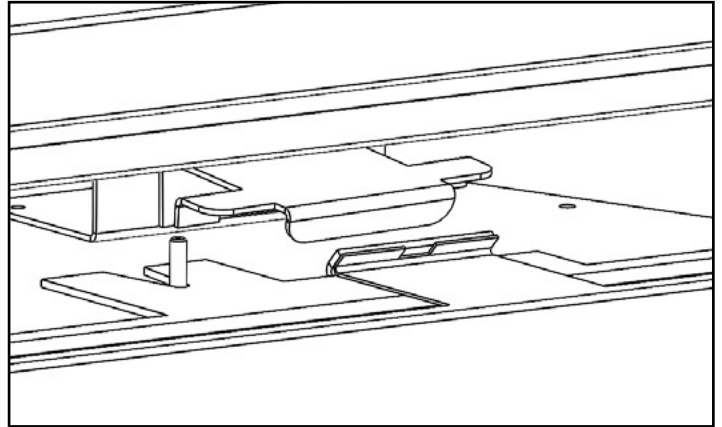


Figure 6.3.02:

- REMOVE TOP GRILL AND HOOD
- OPEN BOTTOM GRILLS
- UNDO TOP & BOTTOM DOOR LATCHES
- REMOVE SCREEN

TO REINSTALL THE BARRIER SCREEN, REVERSE THE STEPS FOR REMOVAL.

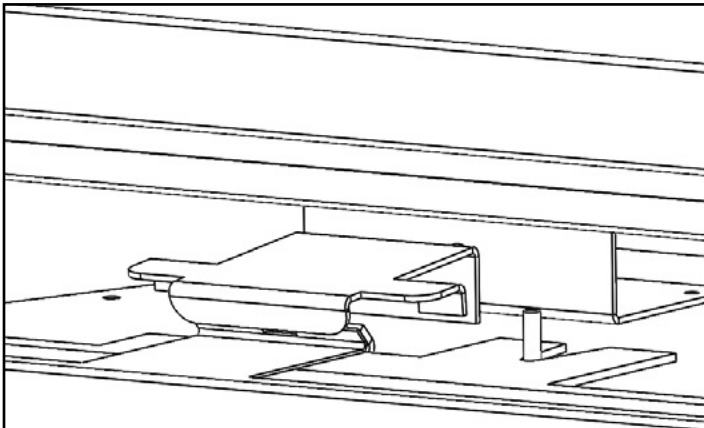


Figure 6.3.03:

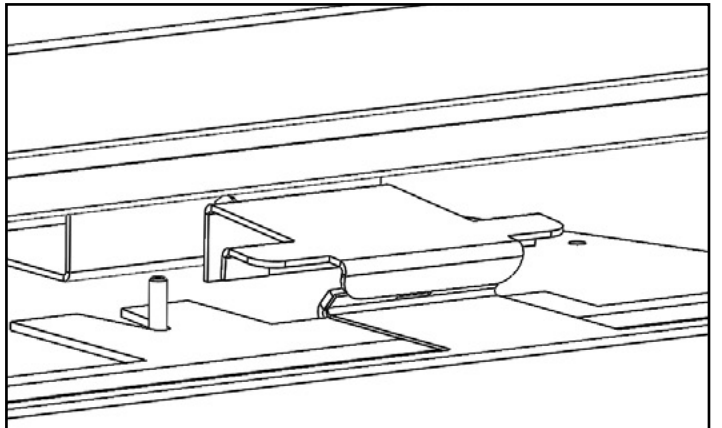


Figure 6.3.04:

### **WARNING**

**DO NOT INSTALL THE BARRIER SCREEN WITH THE GLASS DOOR REMOVED.**

If barrier becomes damaged, the barrier shall be replaced with the manufacturer's barrier for this appliance  
(Part Number: **UF0100/110-BS**).

## 6.4 Glass Door Installation

**WARNING:** Do not operate appliance with the glass front removed, cracked, or broken. Replacement of the glass should be done by a licensed or qualified service person. Do not attempt to remove the glass door when the appliance is hot. Be sure there are no fingerprints left on the glass panels during install or when cleaning as high temperatures can bake these prints on permanently. Inspect the door gasket to ensure no damage has occurred when installing the glass door.

### Remove Glass Frame Assembly

1. Locate spring-loaded handles securing glass frame assembly at top & bottom of firebox.
2. Pull bottom handles out and down to release glass frame assembly bottom. Hold glass frame in place when releasing handles.
3. Pull top handles out and up to release glass frame assembly top.
4. Remove glass frame assembly from fireplace.



Figure 6.4.01:



Figure 6.4.02:

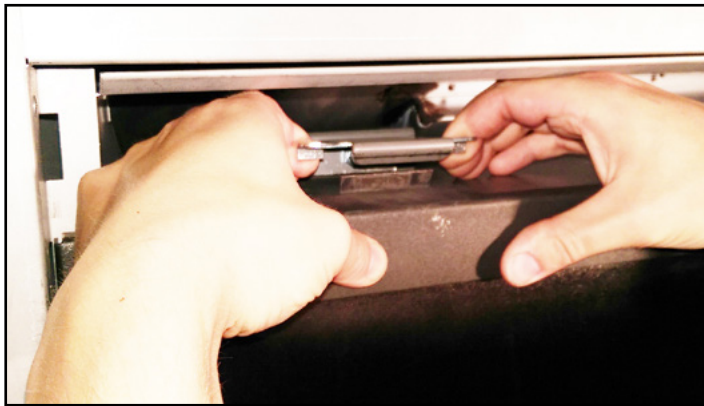


Figure 6.4.03:



Figure 6.4.04:

### Install Glass Frame Assembly

Installation is the reverse of removal.

1. Pull top handles out and down to secure glass frame assembly top.
2. Pull bottom handles out and up to secure glass frame assembly bottom.

**Note:** Pins on the top of the firebox will ensure the door is centered on install.

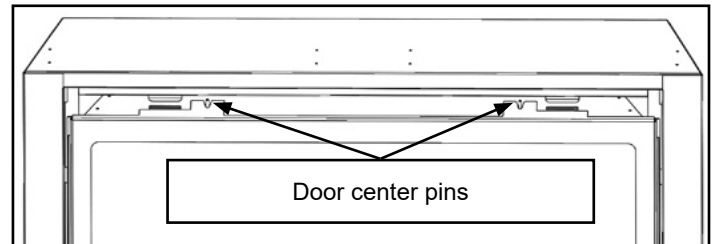


Figure 6.4.05: Door Centering pins

### If Your Glass Breaks

In the event your glass cracks or breaks, replace the original door assembly with Ambiance replacement door assembly (part number UA-8010). The glass door and frame assembly must be replaced as a complete unit. Remove the barrier screen (See **Section 6.3**) and remove door as per the instructions above. Replace with new door assembly and reinstall the barrier screen.

**NOTE:** the NEW door will emit some odor when the appliance is lit. The odor will dissipate after the gasket material within the door has cured. Be sure there are no fingerprints left on the glass panels as high temperatures can bake these prints on permanently.

**Warning:** Only doors certified with the appliance shall be used. Do not use substitute glazing materials.

## 6.5 Grill Set

### Installation

1. Align hooks in upper grill to slots located in fireplace face. Set down into position.
2. Insert upper hood flange into clips located at top of upper air passage, keeping in mind this is a fairly tight fit.
3. Partially thread (2) screws (included in components packet) into nuts at each end of lower grill. Secure to fireplace by threading screws into corresponding holes in inside flange of lower grill opening. The lower grill can now be opened and closed to access gas valve and controls.

### Removal

1. Use both hands to pull hood out of upper air passage clips.
2. Lift upper grill up and out of slots.
3. Remove screws securing lower grill at each end to remove from fireplace.



Figure 6.5.01:



Figure 6.5.02:



Figure 6.5.03:



Figure 6.5.04:

## 7.0 Electrical Connections

The **UF0100** comes complete with an adjustable 6 speed fan and variable lights wired directly to the main control module. Do not cut or remove the grounding prong from the main power supply plug.

**CAUTION:** Label all wires prior to disconnection when servicing.

**NOTE:** This appliance, when installed, must be electrically grounded in accordance with local codes or, in the absence of local codes, with the National Electrical Code, ANSI / NFPA 70, or the Canadian Electrical code, CSA C22.1.

Before you begin (Optional for Easier Installation):

- Remove the barrier screen (see **Section 6.3**)
- Remove the glass door assembly (see **Section 6.4**)
- Remove Bottom Grill Set (**See Section 6.5**)

To supply power to the fireplace:

**Step 1:** Pass the household wiring required by local jurisdiction through the strain relief and into the junction box on the right side of the fireplace. Tighten the strain relief to secure the wiring.



Figure 7.0.01:

**Step 2:** Wire the receptacle provide with the fireplace according to local code and install the cover plate provided with the fireplace. Plug the three-pronged plug from the control board into the receptacle.

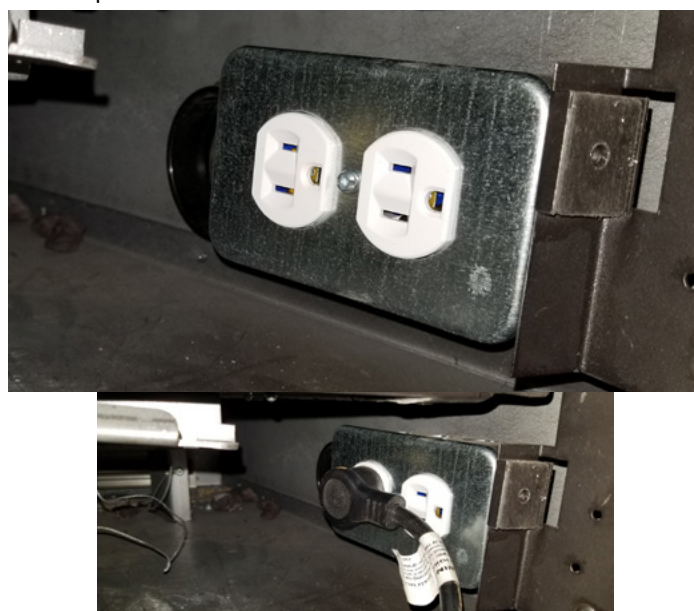


Figure 7.0.02:

## 7.1 Light Installation

**CAUTION**

Disconnect all electrical power from fireplace before performing this task.

**NOTE**

To avoid damage and prolong the life of halogen bulbs, never touch with bare hands. Always use a soft cloth when handling.

1. Install halogen bulbs (included in components packet into lamp bases.
2. Place amber light filters into light cylinders.

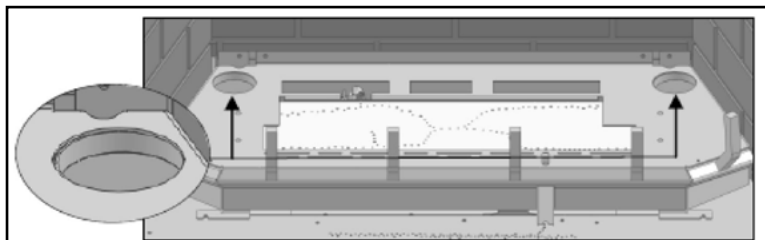


Figure 7.1.01

## 8.0 Fireplace Dimensions

	DESCRIPTION	Height	Width	Back Width	Depth	Opening Width	Glass Frame Height	Stand-off Height	Front to Vent Center (Vert. Term.)*	Floor to Vent Center (Hor. Term.)*
FIREPLACE DIMENSIONS	INCHES	34-1/2	40-7/8	30-1/2	20	35-3/8	26-7/8	10	16	33-3/8
	MILLIMETERS	876	1038	774.7	508	898.5	682.6	254	406.4	848

\*Depending on vent pipe manufacturer

### WARNING

All stand-off brackets must be attached to fireplace. Do not remove. Top stand-off brackets are not load bearing. Non-combustible zone: Top stand-offs provide 10" (254 mm) minimum clearance to header. Use only non-combustible material in this area for entire width of fireplace. Do not use wood, sheetrock, etc. in this zone. Other clearances apply. All clearances must be maintained.

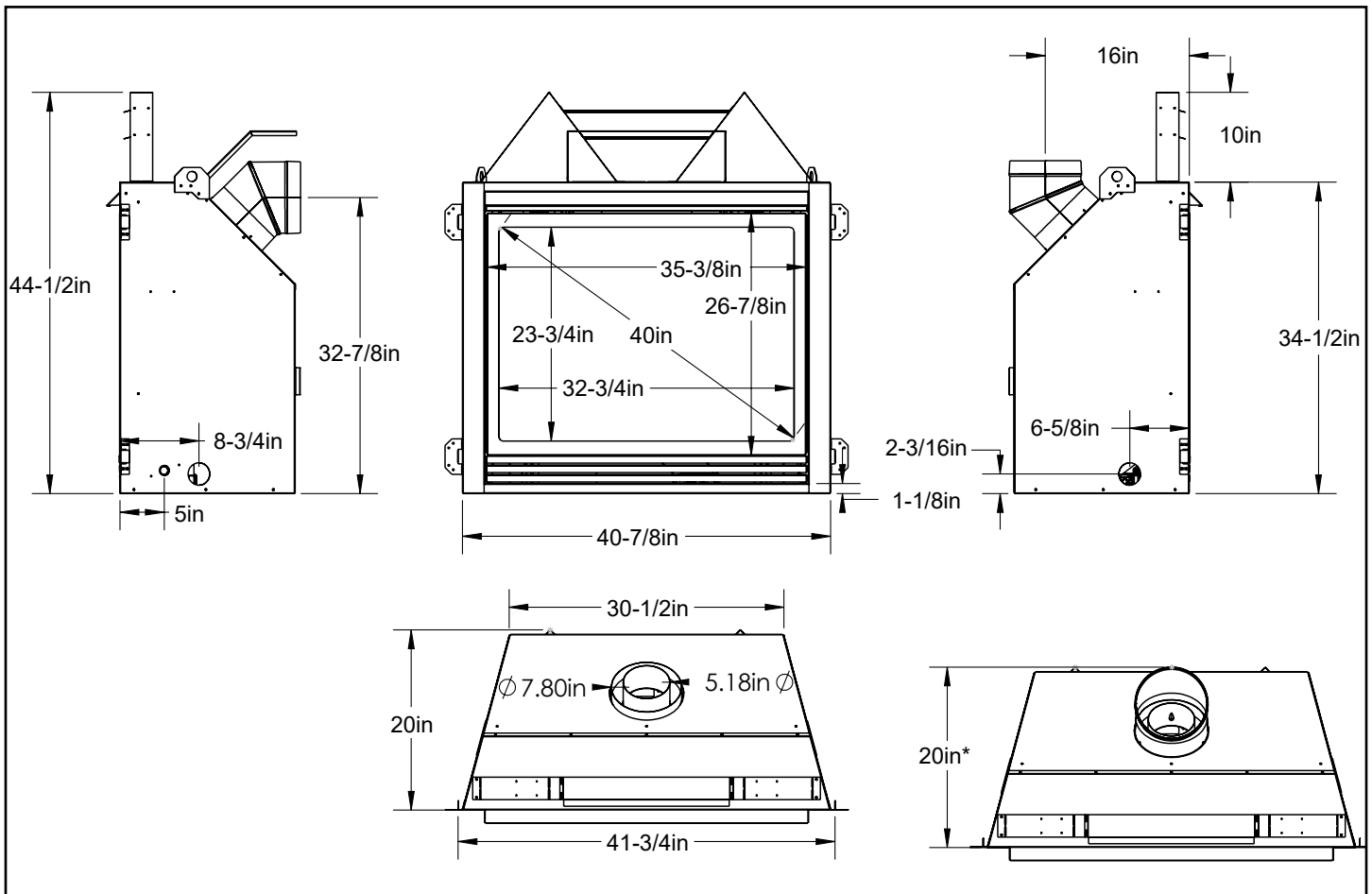


Figure 8.0.01:

\*Depending on manufacturer of vent pipe

## 9.0 Prepare The Fireplace

### 9.1 Installation Overview

#### NOTE

The qualified installer should follow the procedure best suited for the installation.

#### NOTE

This appliance must be electronically grounded and connected in accordance with local codes, or in the absence of local codes, with the National Electrical Code, ANSI/NFPA 70 Current Edition, or the Canadian Electrical Code CSA C22.1.

1. Frame an opening for the fireplace, allowing for vent installation (top or rear) and type of installation (corner or flat wall application).
2. If masonry (optional) is used, prepare foundation for the masonry load. A lintel is required to support the added weight above fireplace.
3. Attach nailing flanges to fireplace.
4. Insert fireplace into framing.
5. Install hearth (if applicable).
6. Complete electrical hook-up. Install any standard or optional electrical components.
7. Complete gas line installation.
8. Complete venting installation.
9. Secure fireplace to flooring through holes in outer box bottom and to framing with nailing flanges. Verify all clearances.
10. Install facing material (non-combustible to 10" above the fireplace), mantel or cabinetry, allowing room for optional full face doors, if applicable.
11. Install the panel set.
12. Install logs.
13. Install grills and optional decorative doors / faces.
14. Verify proper operation of fireplace and all components.

#### PLACEMENT CLEARANCE REQUIREMENTS

- This fireplace must be installed on a level surface capable of supporting the fireplace and venting
- Fireplace must be placed directly on wood or non-combustible surface (not linoleum or carpet) extending entire depth and width of fireplace
- Facing material must be all non-combustible to 10" above the fireplace
- Due to high surface temperatures, fireplace should be located out of traffic and away from furniture and draperies
- This fireplace may be installed in a bedroom
- Please be aware of the large amount of heat this fireplace will produce when determining a location

## 9.2 Stand-off Assembly & Installation

### WARNING

Top stand-off brackets and stand-off heat shields must be attached to fireplace. Do not remove. These items are not load bearing.

**Non-combustible zone:** Stand-offs provide 10" (254 mm) minimum clearance to header. **Use only non-combustible material in this area for entire width of fireplace. Do not use wood, sheetrock etc. in this zone.** Other clearances apply. All clearances must be maintained.

Top stand-off brackets and stand-off shields are attached to fireplace top in a flat state for shipping.

1. Remove and save (4) screws securing stand-off heat shields and stand-off brackets, and (4) screws located under these items.
2. Form stand-off brackets as shown and re-attach to fireplace using screws previously removed.
3. Form stand-off heat shields and attach to stand-off brackets using (8) screws provided in components packet. (Stand-off heat shield flanges face up and to the front of fireplace).

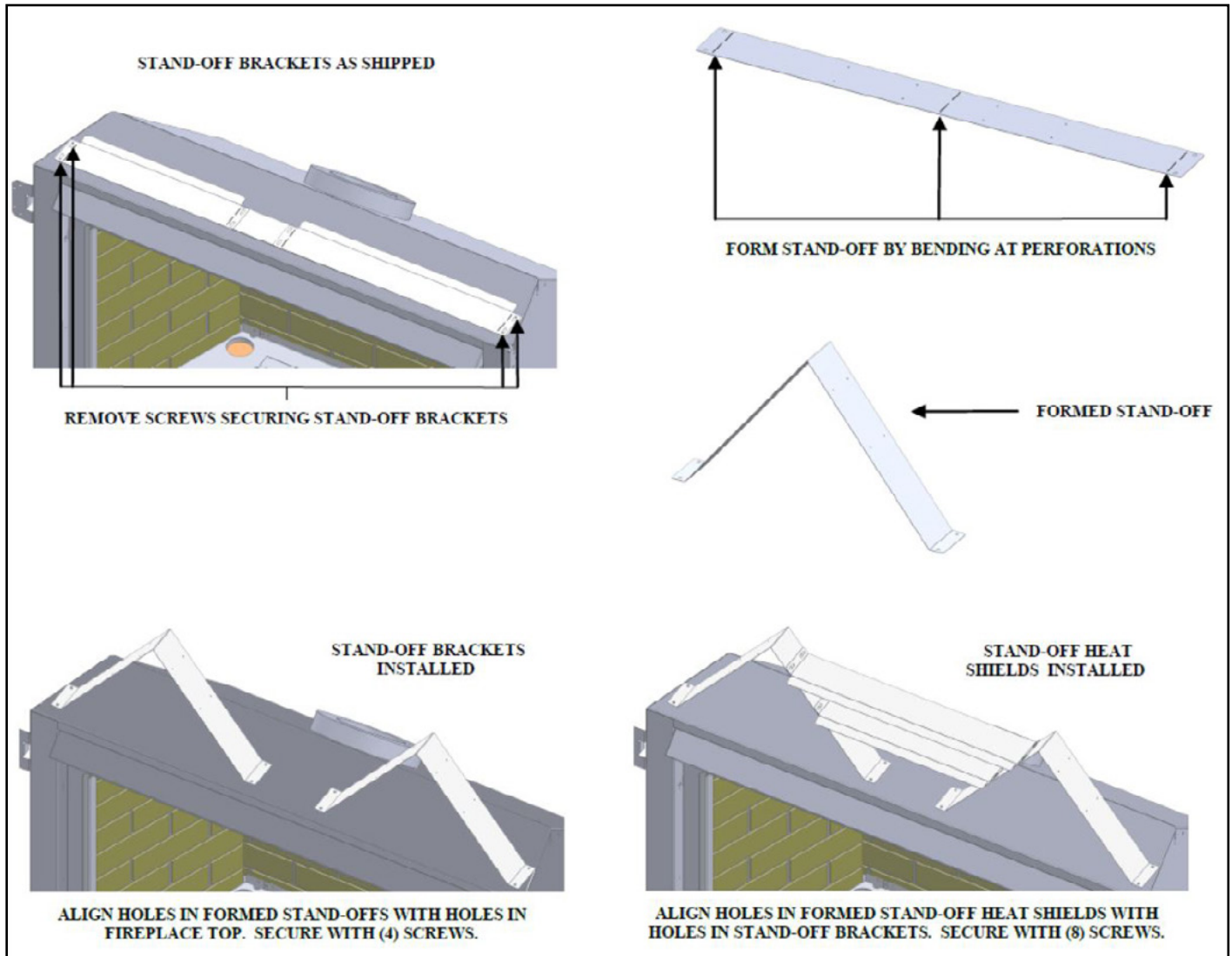


Figure 9.2.01:



## 9.3 Horizontal Vent Heat Shield Installation

### IMPORTANT

The horizontal vent heat shield must be installed when using a 45-degree elbow to horizontally position the vent system.  
EXCEPTION: Corner installations.

1. Loosen, but do not remove center three screws at back of fireplace as shown.
2. Bend horizontal heat shield at perforation to a 45° angle. Slide (3) slots on horizontal vent heat shield under loosened screws. Re-tighten screws.

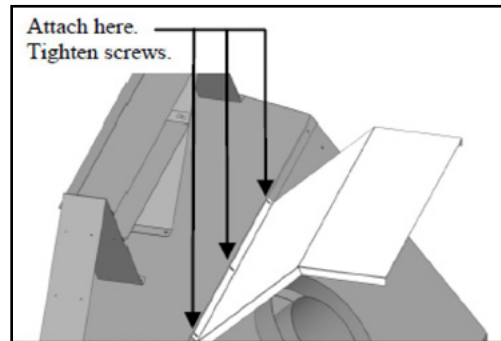


Figure 9.3.01:

## 9.4 Nailing Flange Assembly & Installation

1. Remove (4) nailing flanges from fireplace sides.
2. With the 1/2" (13 mm) stand-offs on nailing flanges facing away from fireplace, align nailing flange with holes on outside corners of fireplace. Secure with screws through slots in nailing flanges (additional screws provided in components packet).
3. Bend perforation on nailing flange until parallel with fireplace face. Do not bend toward fireplace face.
4. Position framing stud against 1/2" (13 mm) stand-off (located on backside of nailing flange). Secure with nails or screws.

### NOTE

Depending on facing material, tabs can be adjusted forward or backwards up to 1/2" (13 mm).

### CAUTION

Never permanently remove these assemblies from fireplace - they must be secured in place regardless of finish material used.

When installed, nailing flanges provide minimum 1/2" (13 mm) clearance from fireplace sides.

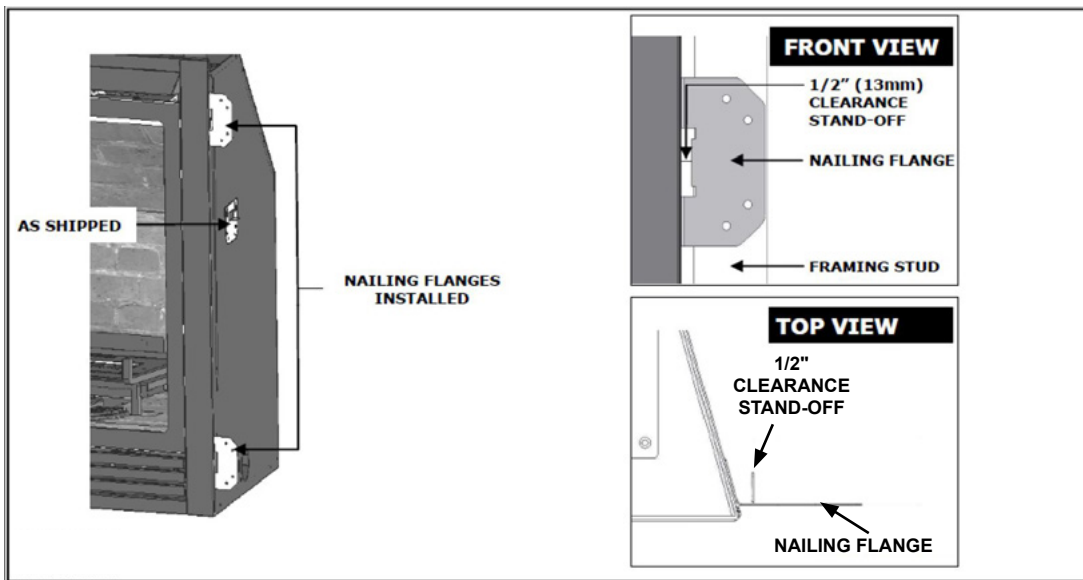


Figure 9.4.01:

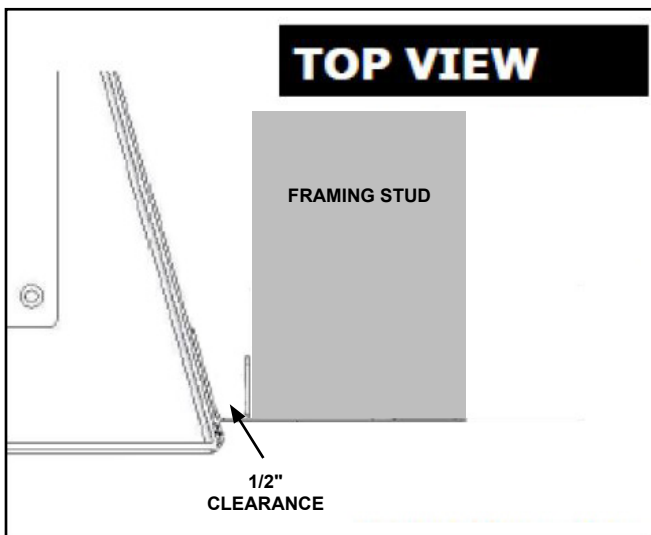


Figure 9.4.02: Nailing Flange in Framing

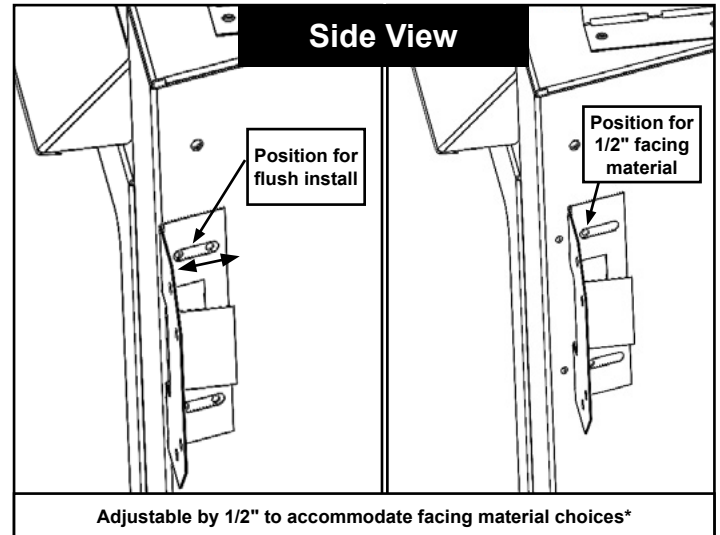


Figure 9.4.03: Adjusting the Nailing Flange

\*For a typical install finished with drywall, install the Nailing Flanges back all the way

## 10.0 Venting Instructions

### WARNING

Consult the local and international codes to assure adequate combustion and ventilation air is available. Flame height and appearance will vary depending upon venting configuration and type of fuel used. Venting requirements apply to both Natural and LP gas.

Refer to the vent manufacturer's installation manual for complete installation instructions. Installation must conform with the venting requirements and restrictions as outlined in this manual. Provide a means for visually checking vent connection to fireplace after fireplace is installed.

### 10.1 Approved Venting

- Simpson Dura-Vent DV-GS 5" x 8" and 4" x 6-5/8" with reducer (horizontal and vertical terminations).
- Metal Fab Direct Chimney Systems 5" x 8" (horizontal and vertical terminations).
- ICC Direct Chimney Systems 5" x 8" (horizontal and vertical terminations).
- Selkirk-Metalbestos Chimney Systems 5" x 8" and 4" x 6-5/8" with reducer (horizontal and vertical terminations).
- BDM 5" x 8" Chimney Systems, flex and rigid (horizontal and vertical terminations).
- Security 5" x 8" Chimney Systems (horizontal and vertical terminations).
- Ameri-Vent 5" x 8" Chimney Systems (horizontal and vertical terminations).

### 10.2 Horizontal Terminations

**DO NOT USE SILICONE TO SEAL VENT.**

#### HORIZONTAL VENT SYSTEM CLEARANCES

	TOP	BOTTOM	SIDES
ALL APPROVED VENTING	2 INCHES (51 mm)	1 INCH (25 mm)	1 INCH (25 mm)

#### HORIZONTAL MIN. / MAX.

MINIMUM: 45° Horizontal elbow + 6" - 24" pipe (152 mm - 609 mm) + snorkel termination cap (12" Min).

MAXIMUM: 45° Vertical elbow + 1ft. Vertical Pipe (305mm) + 90° elbow + 3 ft. pipe (914mm) + termination cap.

#### HORIZONTAL MIN. / MAX. (with reducer)

NAT GAS MINIMUM: 2ft. (610mm) vertical + reducer + 90° elbow + 6" (152mm) horizontal + termination cap.

NAT GAS MAXIMUM: 2ft. (610mm) vertical + reducer + 90° elbow + 4ft. (1.2m) + termination cap.

LP GAS MINIMUM: 2ft. (610mm) vertical + reducer + 90° elbow + 6" (152mm) + termination cap.

LP GAS MAXIMUM: 2ft. (610mm) vertical + reducer + 90° elbow + 1ft. (305mm) + termination cap.

LP GAS MAXIMUM: 3ft. (914mm) vertical + reducer + 90° elbow + 4ft. (1.2m) + termination cap.

Horizontal sections must be supported to prevent sagging. See vent manufacturer's installation manual for more information - As a general guideline; a flex line should be supported every 2 - 3' (609.6 - 914.4 mm) and rigid pipe should be supported every 4 - 6' (1219.2 - 1828.8 mm).

This fireplace must be installed so as to prevent accumulation of condensate in the venting system.

### IMPORTANT

When running on LP, the restrictor must be removed when on 8 x 5 vent with a vertical of 1' or less. The restrictor must also be removed when running on LP when on 4 x 6 5/8 vent with a vertical of 3' or less. See restrictor removal in Gas Conversion section.

### IMPORTANT

Wall pass-thru required for all horizontal runs. Refer to vent manufacturer to determine which pass-thru will work best for your application and wall thickness. The horizontal vent shield must be installed when using a 45° elbow to horizontally position the vent system. Exception: corner installations.

### ELBOWS

The following statement applies to horizontal, vertical, or a combination of horizontal / vertical elbows: For each additional 90° elbow used after the first elbow, 3ft. (914mm) must be subtracted from the maximum allowed venting. For each 45° elbow used, 1-1/2ft. (457mm) must be subtracted from the maximum venting allowed.

### NOTE

(2) 45° degree elbows may be used in place of (1) 90° elbow.

**NOTE** Horizontal sections require 1/4" (6 mm) rise for every 12" (305 mm) of travel.

**CAUTION** This gas appliance must not be connected to or joined with any other chimney flue serving another appliance.

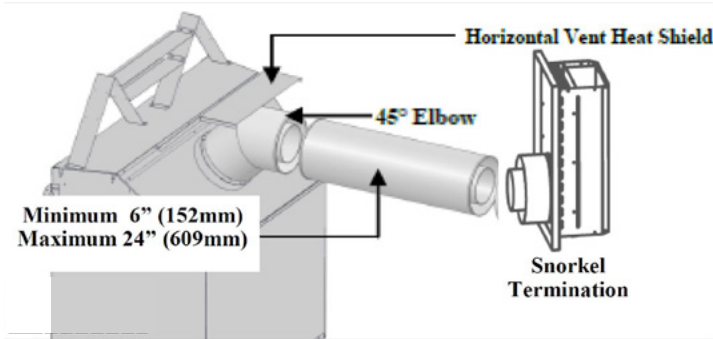


Figure 10.2.01:

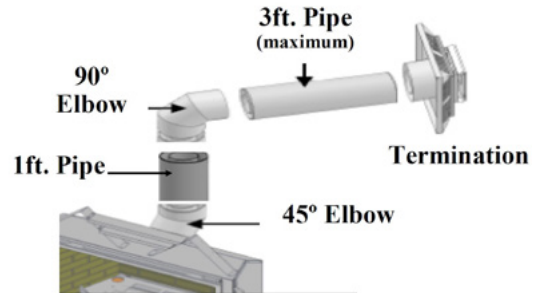


Figure 10.2.02:

## 10.3 Vertical Terminations

VERTICAL VENT SYSTEM CLEARANCES	
	SIDES
ALL APPROVED VERTICAL VENTING	1 inch (25 mm)
VERTICAL MIN. / MAX.	
MINIMUM: 45° elbow + 3ft. (915 mm) + termination cap.	
MAXIMUM: 45° elbow + 50ft. (15.2 m) + termination cap.	
MAXIMUM (if using reducer): 45° elbow + 2ft. (610 mm) + reducer + 48ft. (14.63m) + termination cap.	

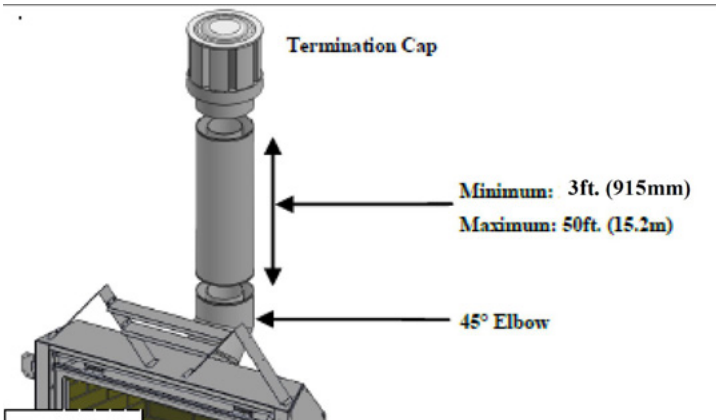


Figure 10.3.01:

**RESTRICTOR SETTING**

This fireplace is shipped with the restrictor set in open position. Follow chart for recommended settings based on venting configuration. It is important to remember each installation is unique and affected by various factors including venting configuration, altitude and climate. Therefore, after fireplace installation is complete, restrictor setting adjustment may be necessary. Page 31 has information on restrictor recommendations depending on burner flame appearance after installation is completed. Restrictor setting adjustment handle is located at top front of firebox. Remove glass frame assembly to access. Loosen screw, adjust setting, tighten screw and reinstall glass frame assembly.

**IMPORTANT** When running on LP, the restrictor must be removed when on 8 x 5 vent with a vertical of 1' or less. The restrictor must also be removed when running on LP when on 4 x 65/8 vent with a vertical of 3' or less. See restrictor removal in Gas Conversion section.

RECOMMENDED RESTRICTOR SETTINGS	
VENTING	RESTRICTOR POSITION
Min. - 20ft. (6.1m)	FULL OPEN (handle pulled forward)
20ft. (6.1m) - 35ft. (10.7m)	PARTIAL OPEN (handle set to center)
35ft. (10.7m) - 50ft. (15.2m)	CLOSED (handle pushed back)

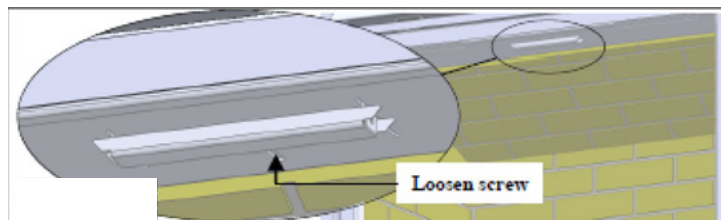


Figure 10.3.02:

## 10.4 Vent Run Guide

### HORIZONTAL & VERTICAL COMBINATION TERMINATIONS

MAXIMUM: 18ft. (5.49m) horizontal + 18ft. (5.49m) vertical + cap. [36ft. (10.98 m) total].

MAXIMUM (with reducer): 45° elbow + 2ft. (610 mm) vert. + reducer + 16ft. (4.88 m) vert. +9ft. (2.74 m) hor. + cap.

#### ATTENTION

IF INSTALLING WITH RIGID-TO-FLEX PIPE SYSTEMS:  
 More than a 30 degree bend constitutes a 45 degree elbow.  
 More than a 45 degree bend constitutes a 90 degree elbow.  
 More than a 90 degree bend is not permissible.

#### IMPORTANT

Wall pass-thru required for all horizontal runs. Refer to vent manufacturer to determine which pass-thru will work best for your application and wall thickness.  
 The horizontal vent heat shield must be installed when using a 45-degree elbow to horizontally position the vent system. Exception: corner installations.

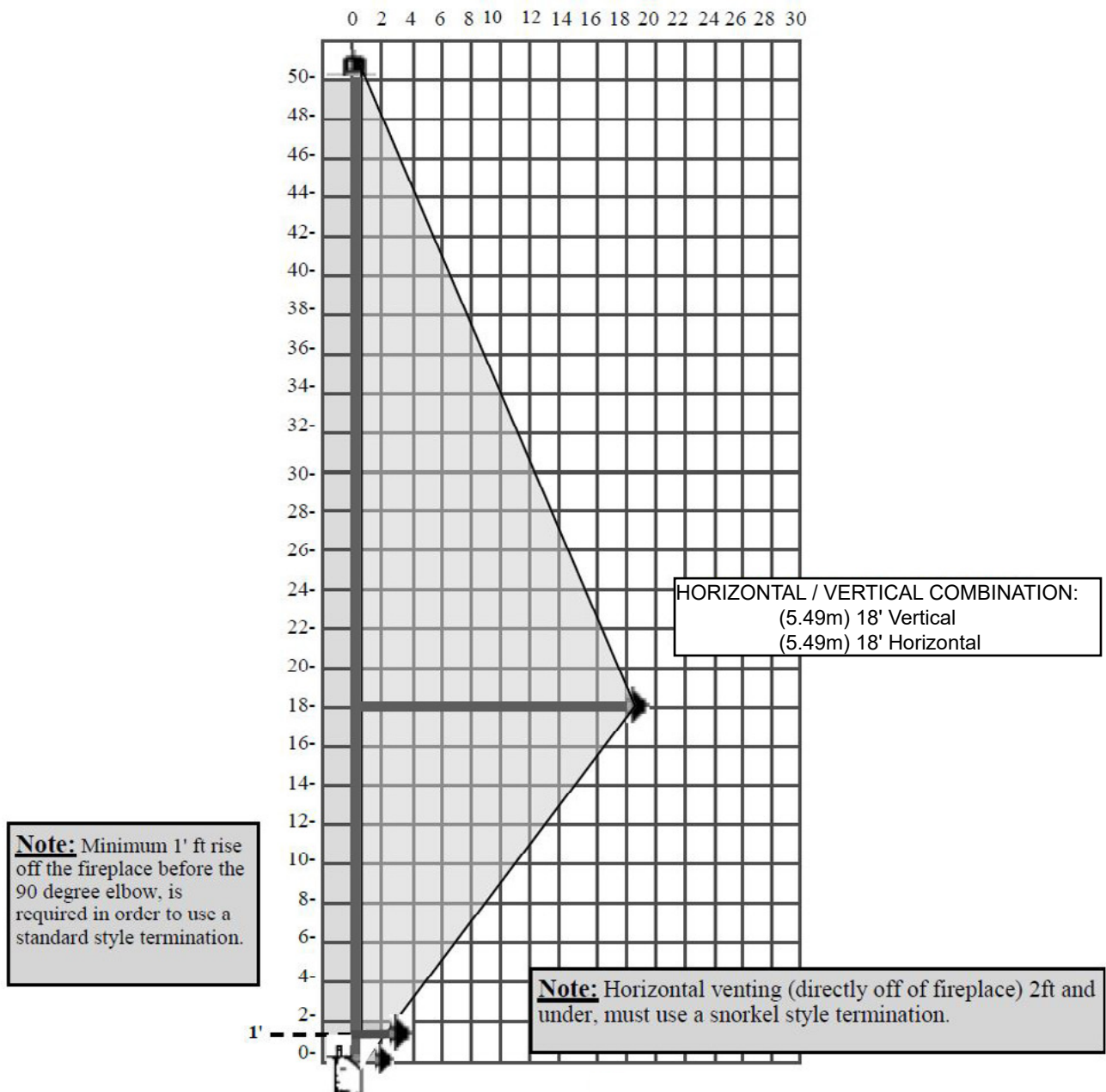


Figure 10.4.01:

## 10.5 Termination Vent Cap Location

This gas appliance must not be connected to a chimney serving any other appliance.

1. Terminations against vinyl siding must use a vinyl siding protector. Follow instructions included.
2. **DO NOT RECESS TERMINATION KIT INTO OUTSIDE BUILDING MATERIALS** - i.e.: brick, stone, siding, etc. If necessary, extend framing so that termination kit will be exposed once building materials are installed.
3. Vent termination must not be located where it will become plugged by snow or other material. The flow of combustion and ventilation air must not be obstructed.

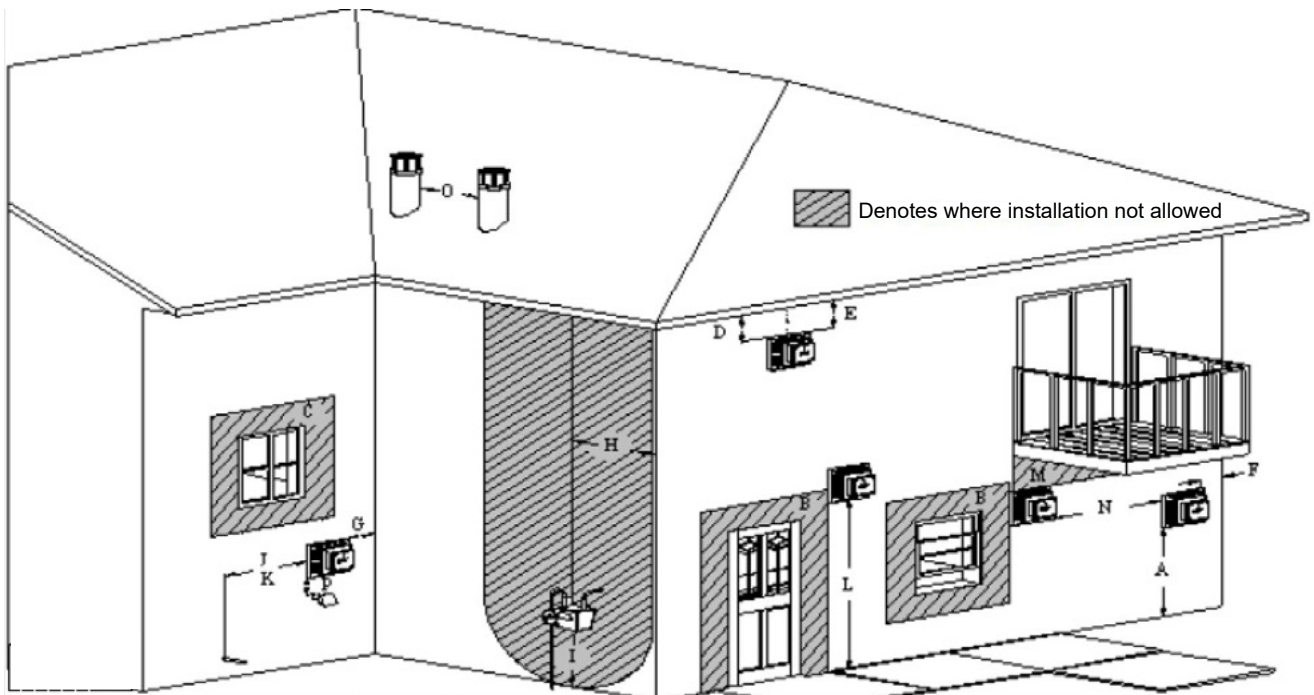
### Location Clearances

- A. Above grade, veranda, porch, deck, balcony - 12" (305 mm).
- B. Operable window or door - CANADA: 12" (305 mm), US: 9" (229 mm).
- C. Permanently closed window\* - 12" (305 mm) (recommended to prevent condensation on window).
- D. Ventilated soffit\* - 24" (610 mm).
- E. Unventilated soffit\* - 12" (305 mm).
- F. Outside corner\* - 3" (76 mm).
- G. Inside corner\* - 10" (254 mm).
- H. Meter / Regulator: CANADA: Not to be installed above a gas meter/regulator assembly within 3 ft. (914 mm) horizontally from the centerline of the regulator within a height of 15ft. (4.57 m). US\*.
- I. Gas Service regulator vent outlet: CANADA: 3ft. (914 mm). US\*.
- J. Non-mechanical air supply inlet to building or the combustion air inlet to any other appliance. CANADA: 12" (305 mm). US: 9" (229 mm).
- K. Mechanical air supply inlet. CANADA: 6ft. (1.83m) US: 3ft. (914 mm) above if within 10ft. (3.05 m) horizontally. Massachusetts installations: 10ft. (3.05 m).
- L. Above paved sidewalk or paved driveway located on public property - 7ft. (2.13 m). US\*

**NOTE** A vent cannot be located directly above a sidewalk or paved driveway that is located between two single family dwellings and serves both dwellings.

- M. Under veranda, porch, deck, or balcony (must be fully opened on a minimum of 2 sides) - 12" (305 mm).
- N. Between two horizontal terminations - 12" (305 mm).
- O. Between two vertical terminations - 12" (305 mm). Terminations may be same height.
- P. Above furnace exhaust or inlet - 12" (305 mm).

\*Clearance must be in accordance with local installation codes & the requirements of the gas supplier.



**22** Figure 10.5.01:

## Vent Termination Clearances

Roof Pitch	H (Min.) Ft.	H (Min.) m
Flat to 6/12	1.0	0.30
Over 6/12 to 7/12	1.25	0.38
Over 7/12 to 8/12	1.5	0.46
Over 8/12 to 9/12	2.0	0.61
Over 9/12 to 10/12	2.5	0.76
Over 10/12 to 11/12	3.25	0.99
Over 11/12 to 12/12	4.0	1.22
Over 12/12 to 14/12	5.0	1.52
Over 14/12 to 16/12	6.0	1.83
Over 16/12 to 18/12	7.0	2.13
Over 18/12 to 20/12	7.5	2.27
Over 20/12 to 21/12	8.0	2.44

**CAUTION**

This appliance must not be connected to or joined with any chimney flue serving any other appliance.

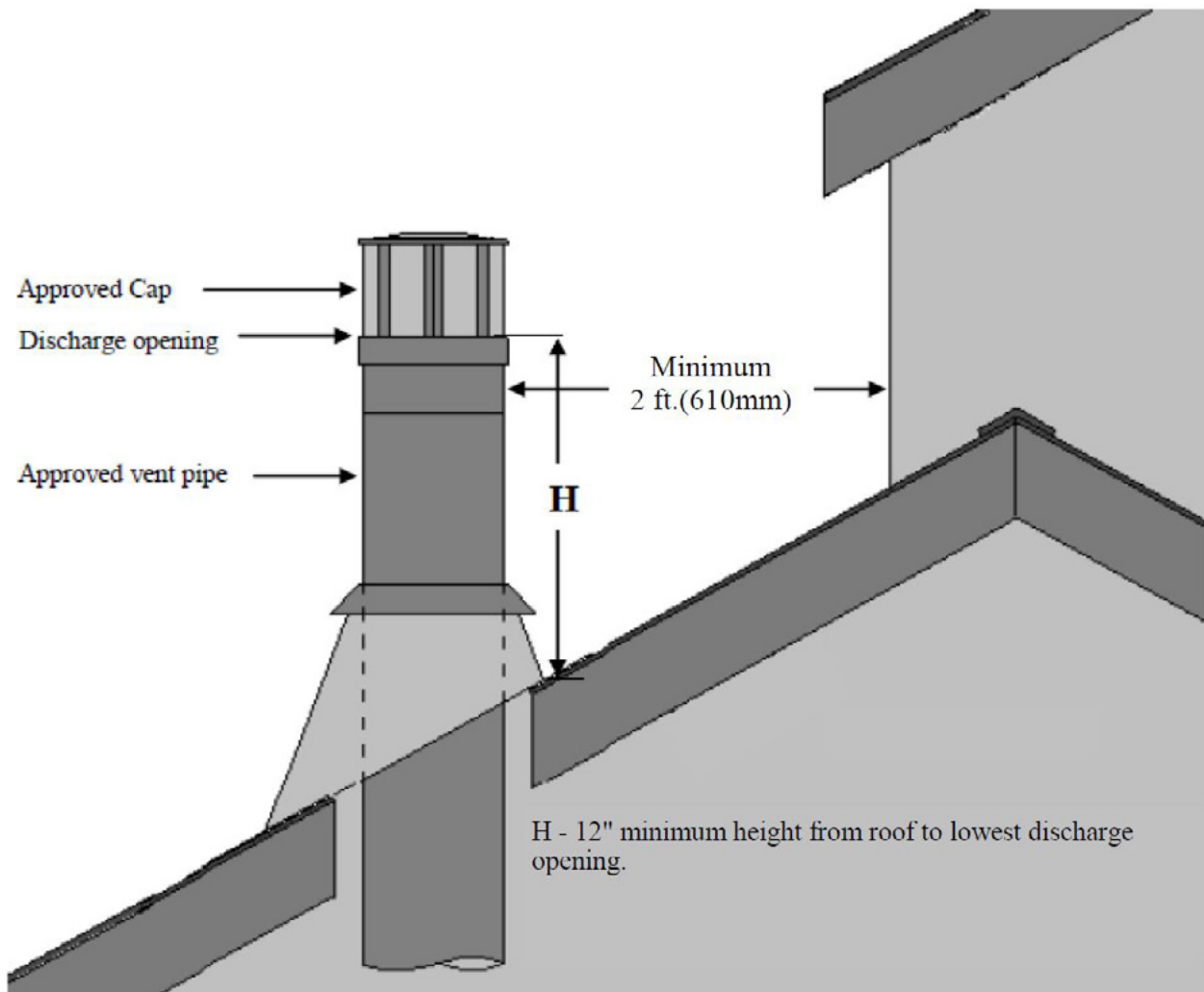


Figure 10.5.02:

## 11.0 Framing and Clearances

Determine exact position of your fireplace, including hearth height, width, and depth (if applicable). If possible, place fireplace in such a manner that vent termination will be between two studs, eliminating the need for additional framing.

If masonry is to be used (optional), prepare the necessary foundation for the masonry load. When masonry construction is used, a lintel must be used over top of fireplace to support the added weight.

Build hearth to desired size and height. If a hearth extension is desired, combustible material may be used.

### 11.1 Wall Enclosure Rough Opening

#### IMPORTANT

Framing dimensions should allow for wall covering thickness and fireplace facing materials. If using a hearth, adjust rough opening size as necessary to maintain at least minimum clearance requirements.

**Non-combustible facing material** may be applied over (but not directly to) fireplace face. This will prevent facing material from falling off due to heat expansion. Do not obstruct the flow of ventilation air.

#### Min. Finished Opening Dimensions

The opening dimensions depend on the installation and venting choices. See **Section 11.4** for more information.

Note: Framing dimensions assume the use of 1/2" drywall.

#### NOTE

Provide adequate clearance in front of fireplace to operate lower grill, open and close optional full door face doors, access Components, installation of gas line, fan, etc.

#### WARNING

Provide adequate clearances around air openings into the combustion chamber.

Do not obstruct upper and lower grill openings. Room air enters through lower passage, is heated and exists through upper passage. Blocking these passages may result in overheating, creating a potentially hazardous situation.

#### WARNING

All stand-off brackets must be attached to fireplace. Do not remove. Top stand-off brackets are not load bearing. Non-combustible zone: Top stand-offs provide 10" (254 mm) minimum clearance to header. Use only non-combustible material in this area for entire width of fireplace. Do not use wood, sheetrock, etc. in this zone. Other clearances apply. All clearances must be maintained.

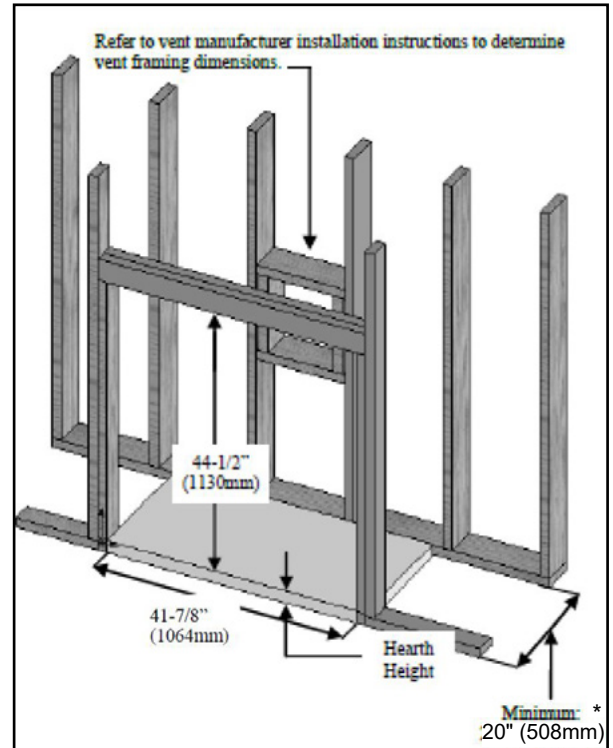


Figure 11.1.01

\*See Section 11.4

#### CLEARANCES

Top of unit face to header (cement board may be used in this area)	10" (254mm)
From unit left & right sides and back	1/2" (13mm)
To flooring	0" (0mm)
Unit top to ceiling	31" (787mm)
Side of unit face to adjacent sidewall	3" (76mm)
Mantel 9" (229mm) deep from top of fireplace	12-1/2" (318mm)
Top of fireplace to 1" (25mm) trim	10" (254mm)



## 11.2 Optional Full Door Face Dimensions

If installing an optional full door face, please refer to below for full face dimensions before applying facing material.

### NOTE

Consider height of hearth finish material (stone, brick, marble etc.) when building fireplace platform. Bottom of fireplace must be level with finished hearth to allow for lower grill operation and proper fit of optional decorative full door faces.

1/2" (13mm) side overlap applies to both sides of face. Illustrations show True Dimensions. We recommend 1/4" (6mm) clearance on all sides to allow for uneven finish material.

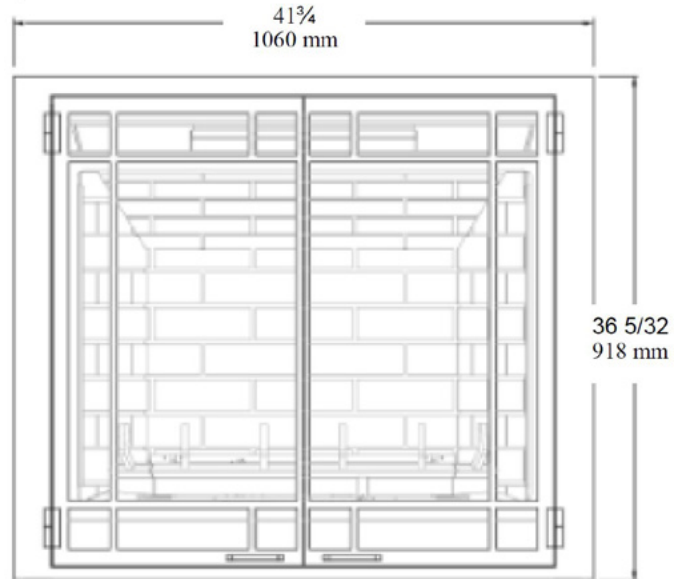


Figure 11.2.01

### NOTE

Consider height of hearth finish material (stone, brick etc.) when building fireplace platform. Bottom of fireplace must be level with finished hearth to allow for lower grill operation and proper fit of optional decorative full door faces.

### WARNING

Install fireplace on hard metal or wood surface extending the full width and depth of fireplace. Minimum platform size: 41-7/8" (1064mm) x 19-3/8" (493mm) deep.

### FIRE HAZARD

DO NOT install directly on carpet, vinyl, or any combustible material other than wood.

### IMPORTANT

Vent cap location must be in compliance with guidelines on Section 10.5 of this manual.

### WARNING

DO NOT RECESS VENT CAP INTO WALL OR SIDING.

## 11.3 Ventilation Framing

**CAUTION** Cold air transfer area. The surrounding fireplace chase must comply with all clearances as outlined in this manual and be constructed in compliance with local building codes. Outside walls should be insulated to prevent cold air from entering.

**CAUTION** Due to high temperatures, this fireplace should be located out of traffic areas and away from furniture and draperies.

### Horizontal Terminations

Follow vent pipe manufacturer's installation instructions for horizontal terminations. Include required vent manufacturer's wall pass-thru clearances when determining framing dimensions.

MINIMUM HORIZONTAL FRAMING DIMENSIONS		
	VENT PIPE CENTER (A)	FRAMED OPENING TOP (B)
RIGID PIPE	32-7/8" (835mm)	Per vent manufacturer's requirements
FLEX PIPE	36-3/8" (924mm)	Per vent manufacturer's requirements

**NOTE** The included Horizontal Vent Heat Shield must be used for horizontal configurations.

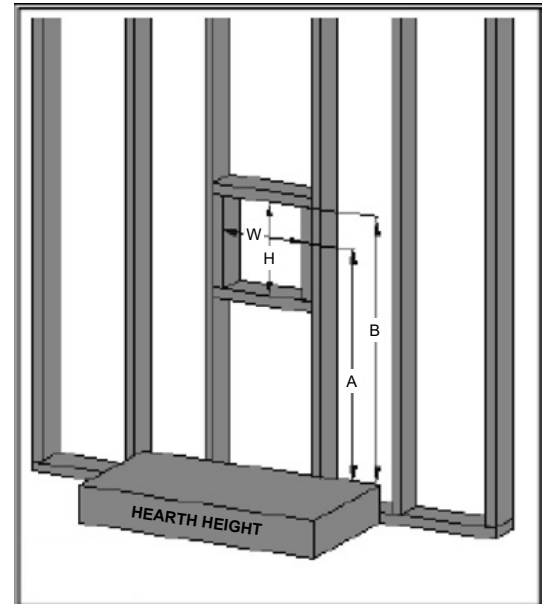


Figure 11.3.01

### Vertical Terminations

Follow vent pipe manufacturer's installation instructions for vertical terminations. A minimum of 1" (25mm) clearance on all sides of vertical vent pipe must be maintained.

**NOTE** The included Horizontal Vent Heat Shield is not used for vertical configurations.

## 11.4 Typical Installation Options

IMPORTANT	WARNING
<p>The horizontal heat shield included with this fireplace must be installed when incorporating minimum horizontal venting. This applies to Nat. and LP minimum horizontal venting configurations.</p> <p>Horizontal vent heat shield not shown in illustrations below for clarity purposes only.</p>	<p>All stand-off brackets must be attached to fireplace. Do not remove. Top stand-off brackets are not load bearing. Non-combustible zone: Top stand-offs provide 10" (254 mm) minimum clearance to header. Use only non-combustible material in this area for entire width of fireplace. Do not use wood, sheetrock, etc. in this zone. Other clearances apply. All clearances must be maintained.</p>

### Typical Horizontal Installation

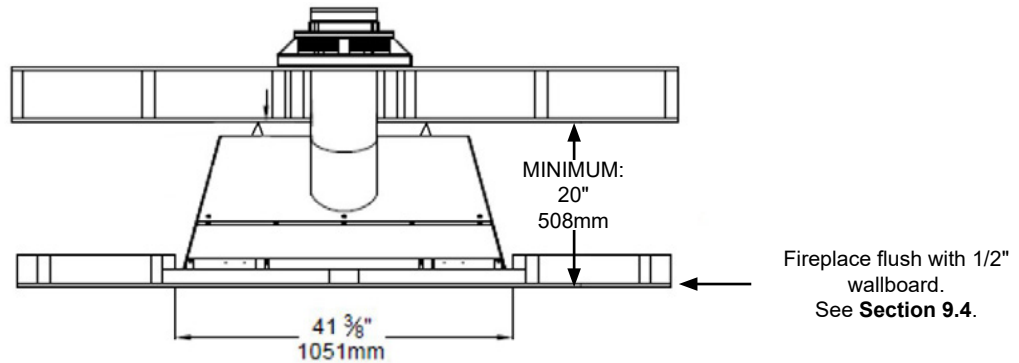


Figure 11.4.01

### Typical Corner Installation

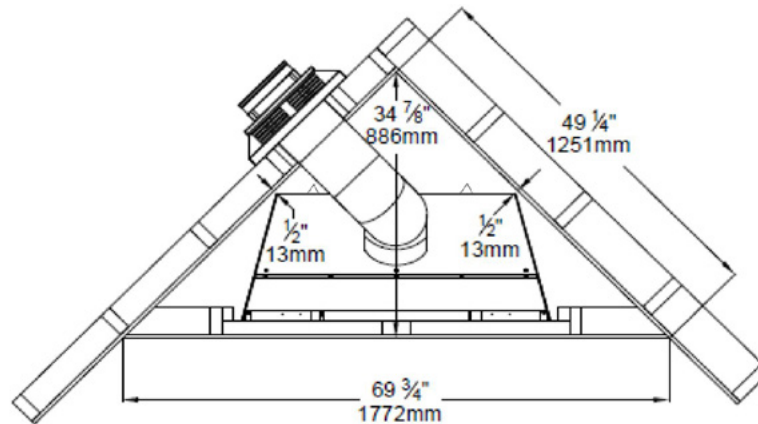


Figure 11.4.02

### Typical Vertical Installation

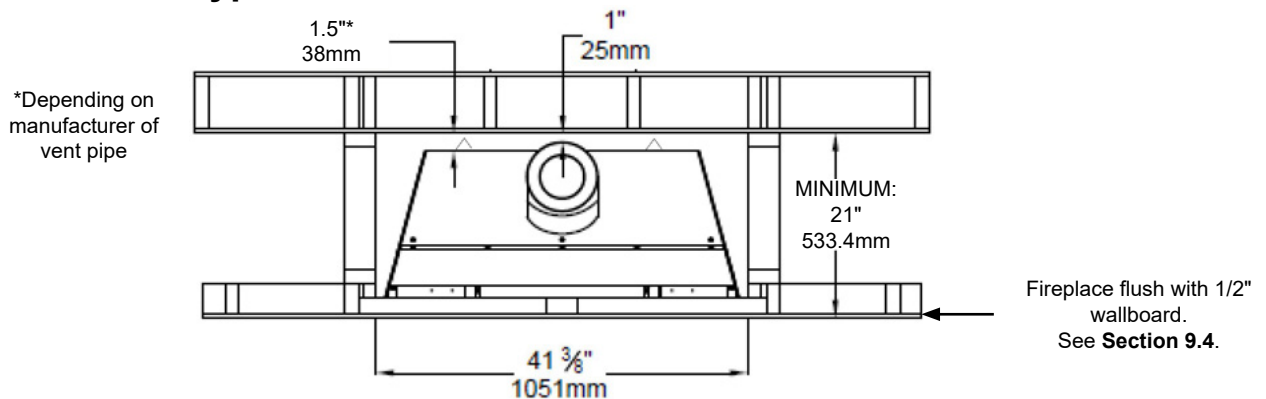


Figure 11.4.03

## 12.0 Mantel & Chase Requirements

### WARNING

All stand-off brackets must be attached to fireplace. Do not remove. Top stand-off brackets are not load bearing. Non-combustible zone: Top stand-offs provide 10" (254 mm) minimum clearance to header. Use only non-combustible material in this area for entire width of fireplace. Do not use wood, sheetrock, etc. in this zone. Other clearances apply. All clearances must be maintained.

### Non-Combustible Zone:

**Rigid Pipe:** 1" (25 mm) above elbow for entire width and depth (behind header) of fireplace.

**Flexible Venting:** 1" (25 mm) above elbow for entire width and depth (behind header) of fireplace.

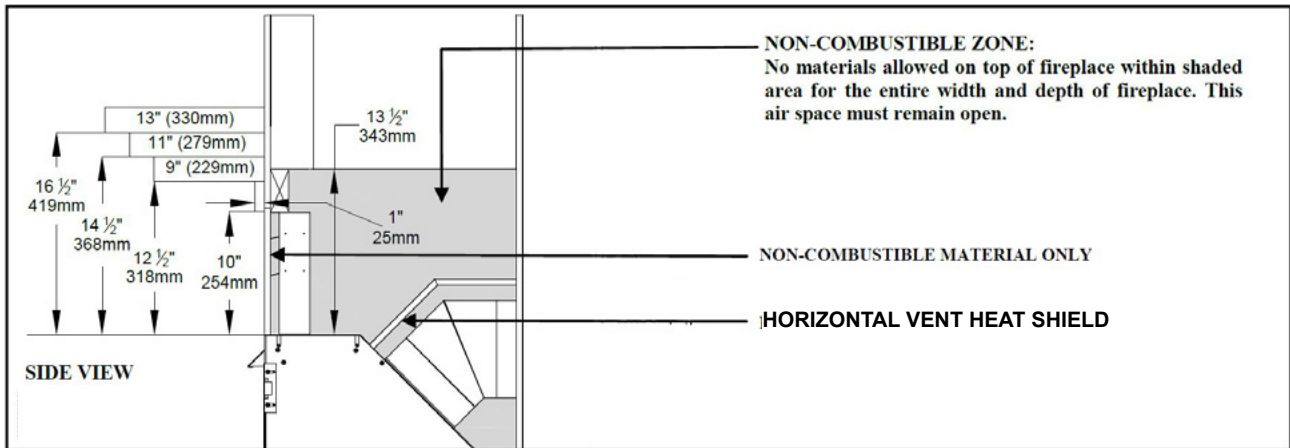


Figure 12.1.01: Mantel Clearance / Chase Non-Combustible Zone

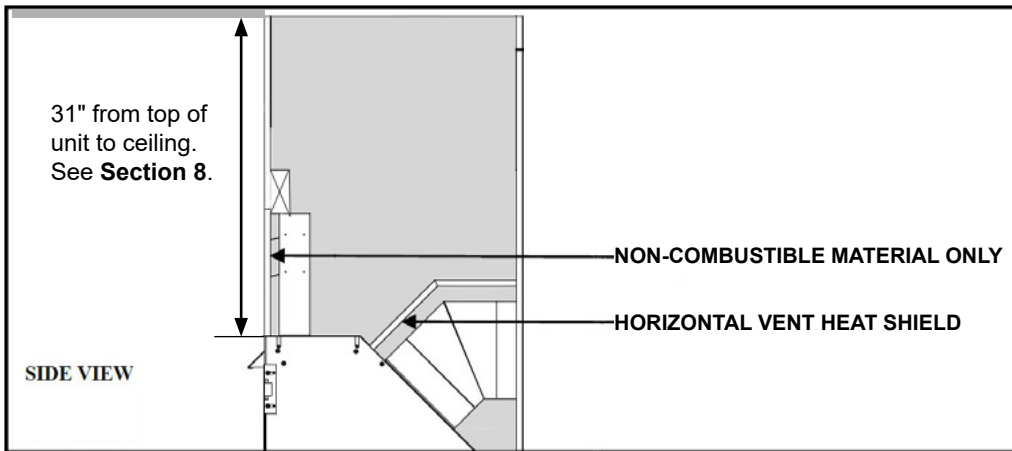


Figure 12.1.02: Clearance to ceiling

## 13.0 Gas Line Connection

### Gas Conversion

This fireplace is manufactured for use with Natural Gas. Follow instructions included with conversion kit if converting to LP gas (Sold separately).

<b>CAUTION</b>	<p>Installation of the gas line must only be done by a qualified person in accordance with local building codes, if any. If not, follow ANSI 223.1.</p> <p>Commonwealth of Massachusetts: Installation must be done by a licensed plumber or gas fitter.</p>
----------------	--

<b>NOTE</b>	<p>A listed (and Commonwealth of Massachusetts approved) 1/2" (13mm) T-handle manual shut-off valve and flexible gas connector (included) are connected to 1/2" (13mm) control valve inlet. If substituting for these components, please consult local codes for compliance.</p> <p>This fireplace is equipped with a 3/8" (10mm) x 7" (178mm) long flexible gas connector and manual shut-off valve. The gas line should be run to the point of connection where the shut-off valve and flexible gas line will connect.</p> <p>The appliance and its individual shutoff valve must be disconnected from the gas supply piping system during any pressure testing of that system at pressures in excess of 1/2 psi (3.5 kPa).</p> <p>The appliance must be isolated from the gas supply piping system by closing its individual manual shut-off valve during any pressure testing of the gas line at test pressures equal to or less than 1/2 psi (3.5 kPa).</p> <p>For high altitude installations, consult the local gas distributor or the authority having jurisdiction for proper rating methods.</p>
-------------	--

<b>IMPORTANT</b>	<p>The efficiency rating of this appliance is a product of thermal efficiency rating determined under continuous operating conditions and was determined independently of any installed system.</p>
------------------	---

	NATURAL GAS	LP GAS
Minimum Inlet Gas Pressure	5.0" WC (1.25 kPa)	12.0" WC (2.99 kPa)
Maximum Inlet Gas Pressure	14.0" WC (3.5 kPa)	14.0" WC (3.5 kPa)
Manifold Pressure (HI)	3.8" WC (.95 kPa)	11.0" WC (2.74 kPa)
Manifold Pressure (LO)	1.1" WC (.27 kPa)	2.9" WC (.72 kPa)
Orifice Size	#56 & #34	#63 & #51
Input BTU/hr (kW)	39,500 (11.58 kW)	39,500 (11.58 kW)
Minimum Input BTU/hr. (kW)	19,500 (5.72 kW)	19,500 (5.72 kW)
Front Burner Air Shutter Setting	Fully Closed	5/8" (16mm) Open
Back Burner Air Shutter Setting	1/8" (3mm) Open	5/8" (16mm) Open

### 13.1 Clocking Procedure

**IMPORTANT:** THE INPUT RATING SHOULD ALWAYS BE CHECKED WHEN FIRST FIRING THIS APPLIANCE.

Before you begin, shut off all other gas appliances including any standing pilots. Light the fireplace and wait 15 minutes. Clock the time to burn 1ft<sup>3</sup> of gas on the meter. Check with your gas supplier for the gas BTU content at your elevation. Input is the rate of flow multiplied by the heating value of the gas (cubic feet/hour x BTU per cubic feet). Note: This assumes a dry gas meter at 1/2 psi. If using a 2 psi dry gas meter the unit will rate lower as the calculation has to correct for the higher pressure in the meter. If the unit is over-rated, contact your authorized Ambiance dealer. The following calculation equation gives a rough estimation as it does not correct for temperature and pressure.

**Rough Calculation Equation:**

$$\frac{3600}{\text{time to burn 1ft}^3 \text{ gas in seconds}} \times \frac{\text{gas caloric value in BTU/ft}^3}{\text{in BTU/ft}^3} = \text{Rating in } \frac{\text{BTU}}{\text{hr}}$$

## 14.0 Conversion Kit Instructions

Part # UA2000: NG - LP Conversion Kit / UA2100: LP - NG Conversion Kit

<b>WARNING</b>	<b>This conversion kit shall be installed by a qualified service agency in accordance with the manufacturer's instructions and all applicable codes and requirements of the authority having jurisdiction. If the information in these instructions is not followed exactly, a fire, explosion or productions of carbon monoxide may result, causing property damage, personal injury or loss of life. The qualified service agency is responsible for proper installation of this kit. The installation is not proper and complete until operation of the converted appliance is checked as specified in the manufacturer's instructions supplied with the kit. Refer to appliance owner's manual or product data plate for proper inlet and manifold pressure adjustments and orifice sizing.</b>
----------------	---

Kit includes:

- 1 Gas Conversion Label
- 1 Step Motor Pressure Regulator (308-6020 [LP] & 308-6023 [NG])
- 2 Burner Orifice LP #51 & #63 (301-0068-51 & 301-0068-63) / NG #34 & #56 (301-0068-34 & 301-0068-56)

<b>CAUTION</b>	<b>THE GAS SUPPLY SHALL BE SHUT OFF PRIOR TO DISCONNECTING THE ELECTRICAL POWER, BEFORE PROCEEDING WITH THE CONVERSION.</b>
<b>WARNING</b>	<b>SHUT OFF GAS SUPPLY AND ELECTRIC POWER TO FIREPLACE. SHUT OFF GAS SUPPLY BEFORE DISCONNECTING ELECTRIC POWER.</b>

<b>IMPORTANT</b>	<b>For high altitude installations: Above 2000ft. (610m) US / 4500 ft. (1372m) Canada, consult the local gas distributor or authority having jurisdiction for proper de-rating methods.</b>
------------------	---

### PREPARE THE FIREPLACE:

1. Remove upper hood, upper grill, glass assembly\*.
2. Remove logs\*.
3. Remove back burner assembly from fireplace\*.
4. Loosen screws securing front orifice bracket, pull orifice backwards out of front venturi.

\*REFER TO CORRESPONDING PAGES IN THIS INSTALLATION MANUAL IF NECESSARY.

### REPLACE BURNER ORIFICE:

Remove existing orifice caps using wrench. Replace with orifice caps included with kit, making sure to tighten caps securely.

Front burner orifice: (NAT #56 / LP #63)

Back burner orifice: (Nat #34 / LP #51)

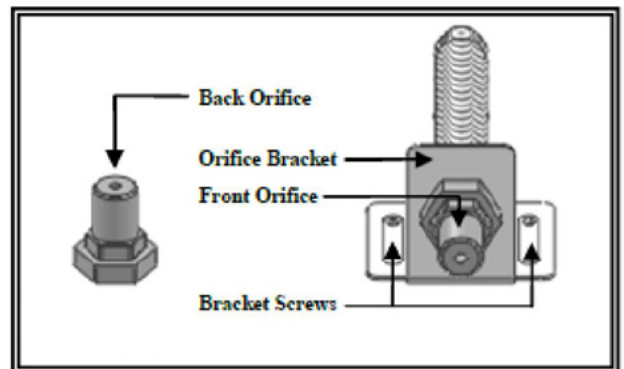


Figure 14.0.01

### PILOT CONVERSION

Using a 7/16" wrench and loosen the pilot hood 1/4 turn. Slide the tab at the bottom of the orifice hood all the way so the red side (propane) with the hole in it is showing. Tighten the pilot hood so that it is lined up with the two probes on both sides of the pilot assembly.

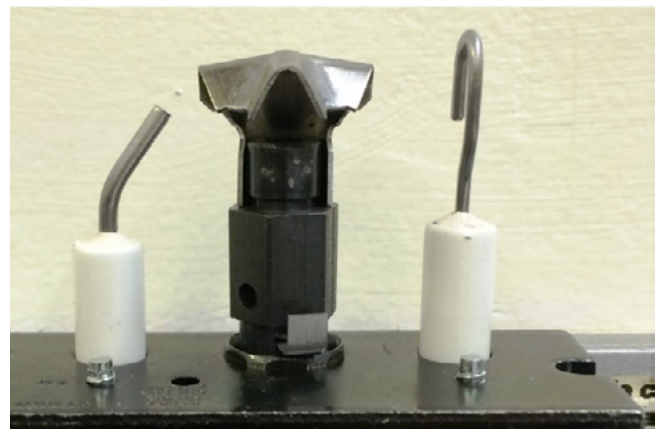


Figure 14.0.02

## CONVERT THE GAS CONTROL VALVE:

Follow stepper motor pressure regulator instruction sheet included with conversion kit to convert gas valve. (LP or NAT marked on stepper motor pressure regulator).

Verify that the following items are present in the package.

- Pressure regulator assembly (E)
- Two (2) screws (F)
- Identification label (G)
- Installation instructions

1. Shut off the gas supply to the valve and shut down the electric supply.
2. See Figure 14.0.03 to the right. Using a Torx T20, or slotted screwdriver, remove and discard the two (2) pressure regulator mounting screws (A), pressure regulator tower (B), and the spring and diaphragm assembly (C), (if applicable).
3. Ensure the rubber gasket (D) which is prefitted as part of assembly (E), is properly positioned, see Figure 14.0.04, otherwise fit the gasket as shown Figure 14.0.04.
4. Install the new STEPPER MOTOR pressure regulator assembly, as shown in Figure 14.0.05 and Figure 14.0.06. Use the supplied screws (F), M4 x 0.7 threaded length of thread  $L=(16\text{ mm} + 0 - 0.5\text{ mm})$ , steel material, resistance class 8.8 (see Figure 14.0.07).
5. Manually thread the two conversion kit mounting screws into the valve body. Use a standard screwdriver or T20 Torx bit and tighten the screws with a fixing torque of  $25\text{lb-in} \pm 5\%$ . **IN THE EVENT THAT THE THREADS OF THE VALVE ARE STRIPPED OR DAMAGED, REPLACE THE VALVE.**
6. Install the enclosed identification label (G) to the valve body where it can be easily seen.
7. Make STEPPER MOTOR and valve electrical connections, apply gas to system and relight appliance according to manufacturers instructions.
8. With the main burner "ON", test the new pressure regulator assembly for leaks using a soap solution.
9. Relight the main burner and verify proper burner ignition and operation.

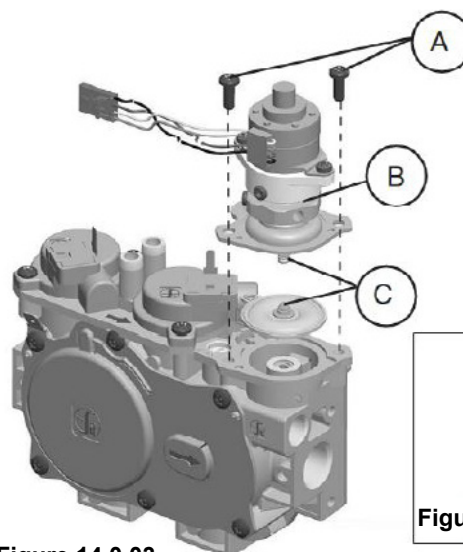


Figure 14.0.03

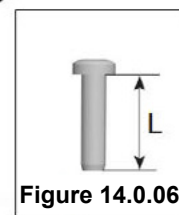


Figure 14.0.06

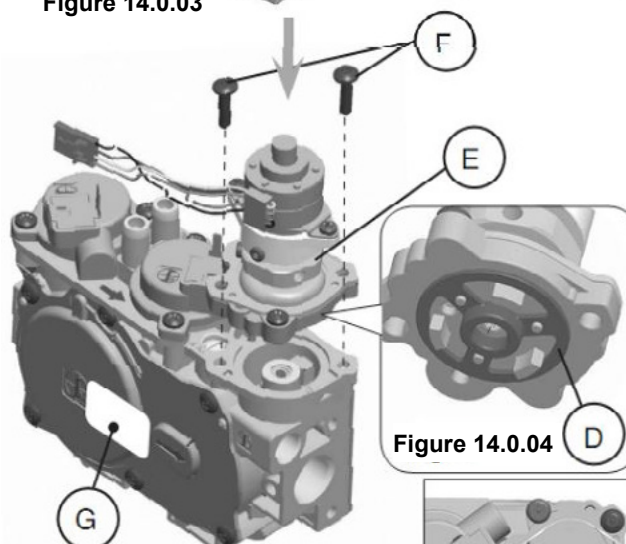


Figure 14.0.05

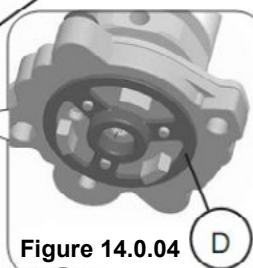


Figure 14.0.04

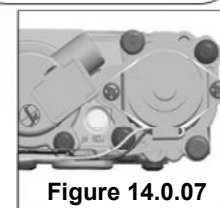


Figure 14.0.07

**WARNING** Installation should be carried out in a clean environment.

**WARNING** This modulating conversion kit must **ONLY** be applied as part of a conversion kit supplied by the **APPLIANCE MANUFACTURER** for the specific appliance, and type of gas, being converted.

**WARNING** Correct operation of the system cannot be guaranteed if the conversion kit or valve has been dropped or has sustained a strong impact.

**INSTALLER NOTICE** The instruction sheet included with the kit must be left with the appliance.

## 15.0 Firebox Liner Installation

### 15.1 Brick Panel Installation

The following steps highlight the procedure for installing brick panel firebox liners. Handle the panels with care as they are delicate. Inspect the panels to ensure that no damage has occurred inside the package. Please report any damage immediately to your Authorized Ambiance Dealer.

Before you begin:

- **Ensure the gas supply is turned OFF and disconnect the power supply (including backup batteries)**
- Remove barrier screen (see **Section 6.3**)
- Remove Glass Door (see **Section 6.4**)

1. Remove left and right side outer refractory clips / supports.



Figure 15.1.01:

2. Loosen top refractory clips / supports and slide towards you and remove.



Figure 15.1.02:

3. Install rear brick panel. Make sure the notches in the brick panel are placed at the bottom

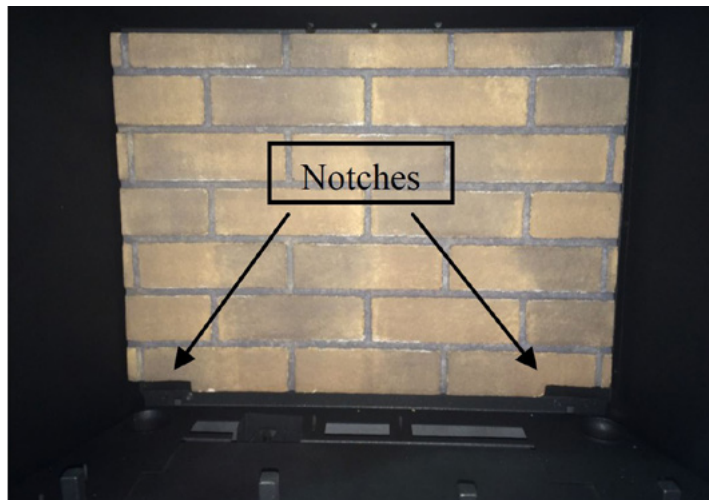


Figure 15.1.03:

4. Install left side panel.



Figure 15.1.04:



5. Reinstall the left refractory clip / support.



Figure 15.1.05:

6. Slide in top brick panel having it rest on top of the side and rear panel already installed.



Figure 15.1.06:

7. Slide top refractory clip / support towards the back of the firebox and tighten screws.



Figure 15.1.07:

8. Install the right side brick panel and reinstall the right outer refractory clip / support.



Figure 15.1.08:

Removal is the reverse of installation.

## 15.2 Reflective Glass Installation

The following steps highlight the procedure for installing Eternal Flame Reflective Ceramic Glass liner. We recommend using clean cotton gloves when handling panels. Handle the panels with care. Inspect the panels to ensure that no damage has occurred inside the package. Please report any damage immediately to your Authorized Ambiance Dealer.

Before you begin:

- **Ensure the gas supply is turned OFF and disconnect the power supply (including backup batteries)**
- Remove barrier screen (see **Section 6.3**)
- Remove Glass Door (see **Section 6.4**)

1. Remove barrier screen, door, and burner media. Remove left and right side panel clips / supports.

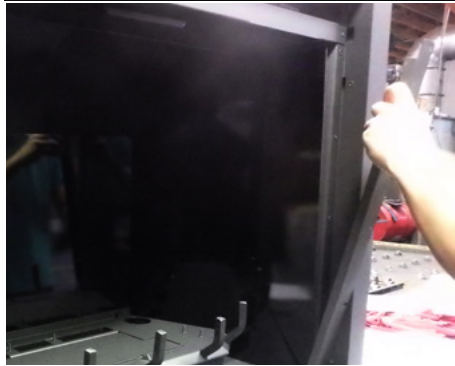


Figure 15.2.01:

2. Loosen top panel clips / supports and slide outward.

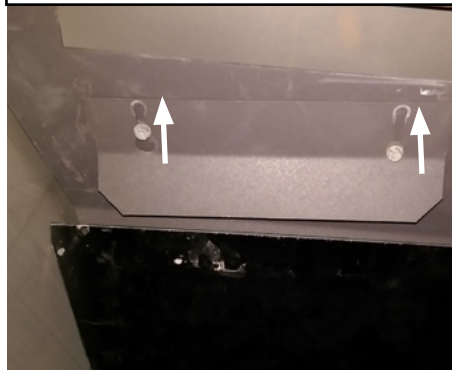


Figure 15.2.02:

3. Place lower glass spacers on edge of burner media tray against fire box wall (repeat for other side).



Figure 15.2.03:

4. Place heat insulation board behind burner media tray.



Figure 15.2.04:

5. Place upper spacer on right side panel. Bend tabs to secure to the top of the panel.

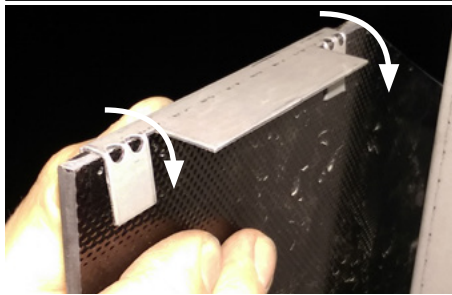


Figure 15.2.05:

6. Install rear panel behind burner media tray. This panel will sit on top of the screws securing the burner to the air intake.



Figure 15.2.06:

7. While holding the rear panel, seat the right side panel in the lower glass spacer.



Figure 15.2.07:

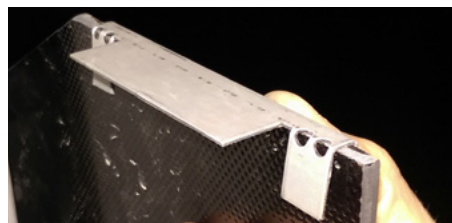


Figure 15.2.08: Upper side panel clip / spacer Part# 754-0081, qty: 2

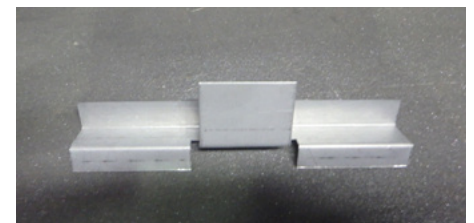


Figure 15.2.09: Lower side panel clip / spacer Part# 754-0080, qty: 2

8. Install right side panel clip / support to secure side and rear panels.



Figure 15.2.10:

9. Slide top glass panel to rest on the rear panel and right side panel.



Figure 15.2.11:

10. Continue holding the upper panel in place. Slide the upper clips / supports toward the back of the firebox and secure.



Figure 15.2.12:

11. Install the left side panel with upper clip / spacer. Ensure the top panel rests evenly on both side panels.

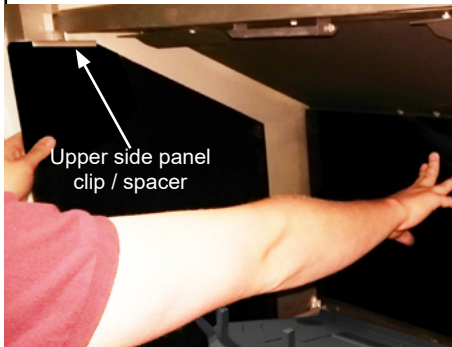


Figure 15.2.13:

12. Install left side panel retainer.



Figure 15.2.14:

**INSTALL COMPLETE**



Figure 15.2.15:

### **Replacement Panels**

Right Side: 311-654-RT rev. F  
Left Side: 311-654-LT rev. D  
Top: 311-654-RR rev. C  
Back: 311-654-BR rev. C

Removal is the reverse of installation.

## 16.0 Log Set Installation

**ATTENTION**

If converting to LP (propane) gas do so before installing log set. Follow instructions included with the conversion kit (sold separately).

**CAUTION**

Do not place logs directly over burner port holes. Failure to position the parts in accordance with these diagrams or failure to use only parts specifically approved with this appliance may result in property damage or personal injury.

The Ambiance pan burner bed and fiber logs are designed to give a realistic fire package, and created to look the same as the day they were originally installed. Care must be given when first installing the logs, and if removed for servicing, as they can be damaged or broken if not handled properly.

The Kentucky Oak or Eastern Township Birch log set options are available. After opening the log set package, inspect the logs to ensure that no damage has occurred inside the package. Please report any damage immediately to your Authorized Ambiance Dealer.

Gas and vent connection must be made before installing the embers and logs on the pan burner. The installation process is the same regardless of which log set is being installed.

**CAUTION:** DO NOT block pilot opening with embers or glass media material.

**NOTE:** See **Figure 16.0.20** through **Figure 16.0.23** for log designations. Improper placement of logs and embers may cause soot accumulation on the internal parts and glass. This is not covered under warranty. Do not use broken or damaged logs.

**Step 01:** Align the holes of log 1 with the two locator pins at the back of the burner. Set the log onto the pins with gentle force.

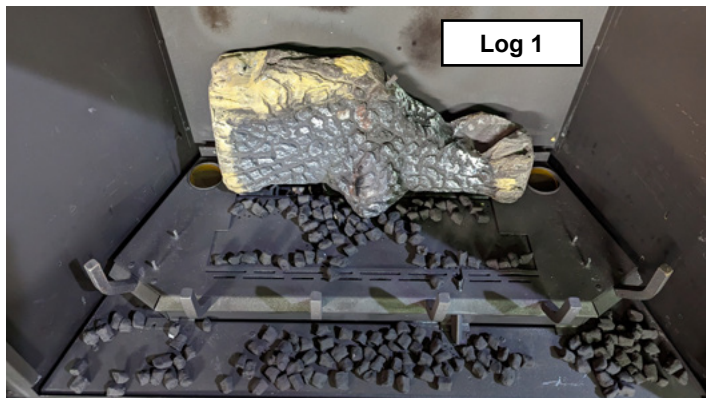


Figure 16.0.01:

**Step 02:** Align the holes of log 3 with the two locator pins on the right side of the burner. Set the log onto the pins with gentle force.

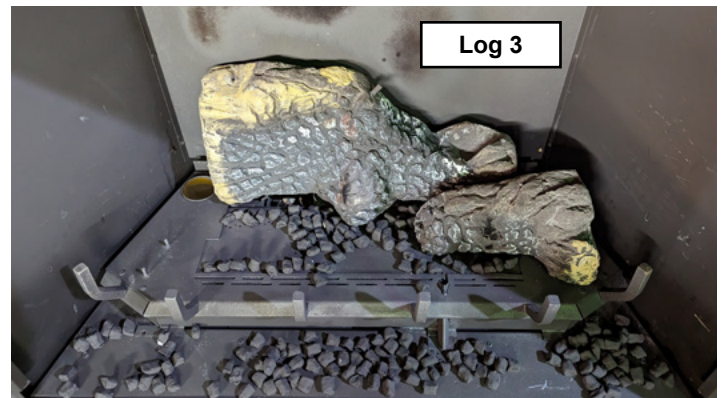


Figure 16.0.02:

**Step 03:** Align the holes of log 2 with the two locator pins on the left side of the burner. Set the log onto the pins with gentle force.

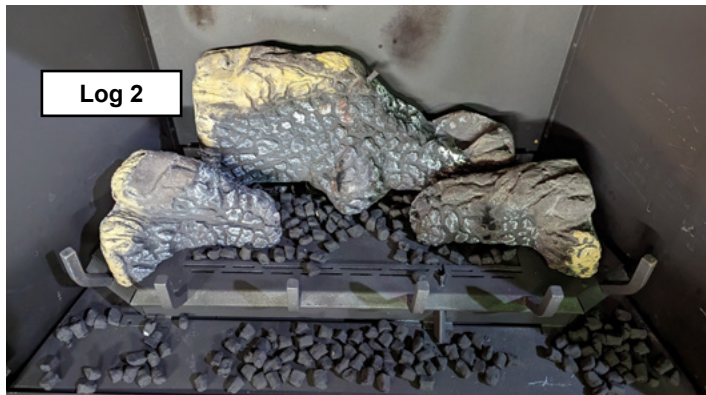


Figure 16.0.03:

**Step 04:** Place one of log 4 in the middle of the burner, behind the secondary air openings. Do not block secondary air.

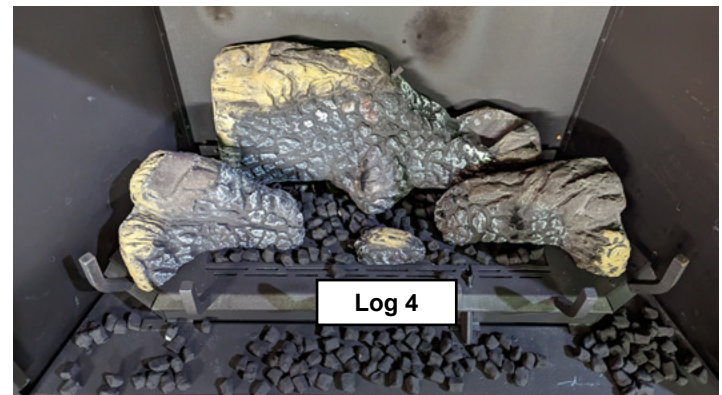
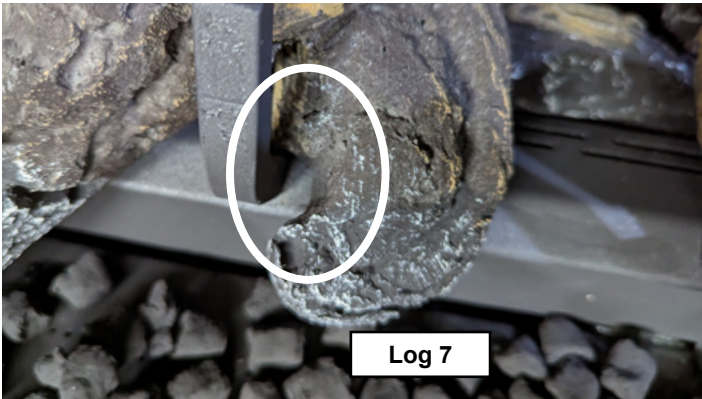
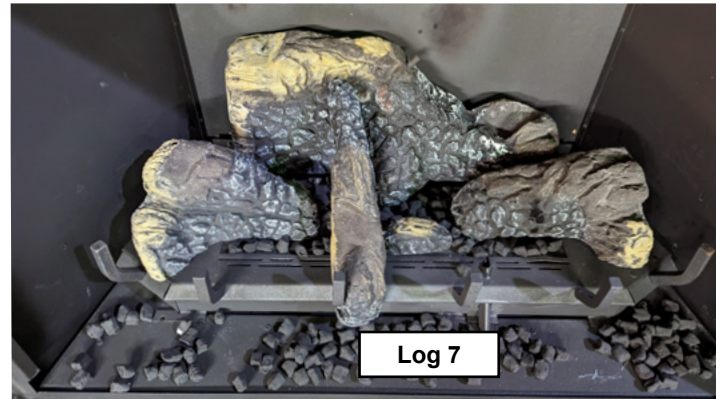


Figure 16.0.04:

**Step 05:** Log 7 has a hook detail on the bottom edge that is intended to rest on the burner grate. Place log 7 as shown in **Figure 16.1.06**.



**Figure 16.0.05:**



**Figure 16.0.06:**

**Step 06:** Log 10 spans the upper and lower burners, resting on the burner grate.



**Figure 16.0.07:**



**Figure 16.0.08:**

**Step 08:** Place log 5 on the pin located on top of log 1. The bottom of log 5 rests in the groove in log 1.



**Figure 16.0.09:**



**Figure 16.0.10:**

# Installation

**Step 09:** Press log 8 onto the pin on log 5. The bottom of log 8 rests on log 3 near the right side of the firebox.



Figure 16.0.11:

**Step 10:** Press log 9 onto the pin on the left side of log 1. The bottom of log 9 rests on log 2 near the left side of the firebox.



Figure 16.0.12:

**Step 11:** Log 11 slips between the burner grate and log 6. Do not block air openings.

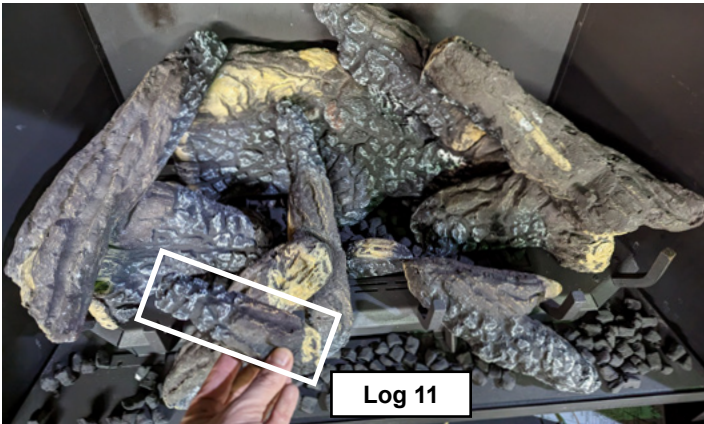


Figure 16.0.13:



Figure 16.0.14:

**Step 12:** Press log 12 (Kentucky Oak Log set ONLY) onto the pin on log 10. The top of log 12 rests on log 8.



Figure 16.0.15:

**Step 13:** Place log 4 on the lower burner. Do not block air openings.



Figure 16.0.16:

## Ember Placement

### IMPORTANT

Embers should be placed so they do not completely block burner ports. **DO NOT** block pilot opening. Failure to keep the opening clear of embers or media cause a delayed ignition.

After installing the logs, add the Black Embers to both burners. Use the embers to cover any exposed burner surface not covered by logs. Place the embers in a single even layer. Take care to place evenly - do not pile or stack the embers.



Figure 16.0.17:

Be sure to include the areas between the logs. Do not block secondary air openings and avoid placing flat edges over burner holes. The images below show embers without the logs for clarity of install.

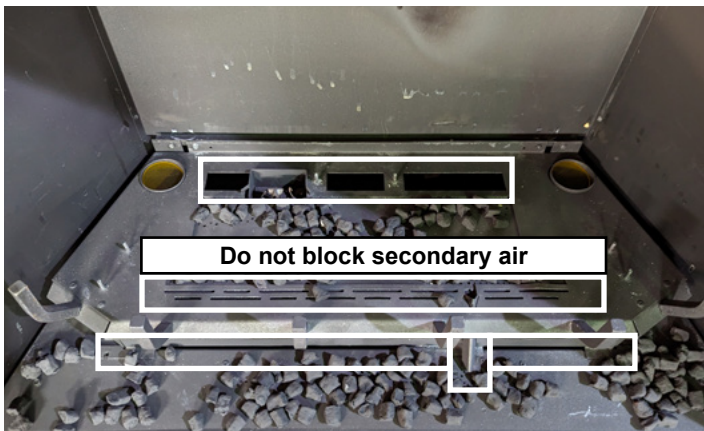


Figure 16.0.18: Shown without log set.

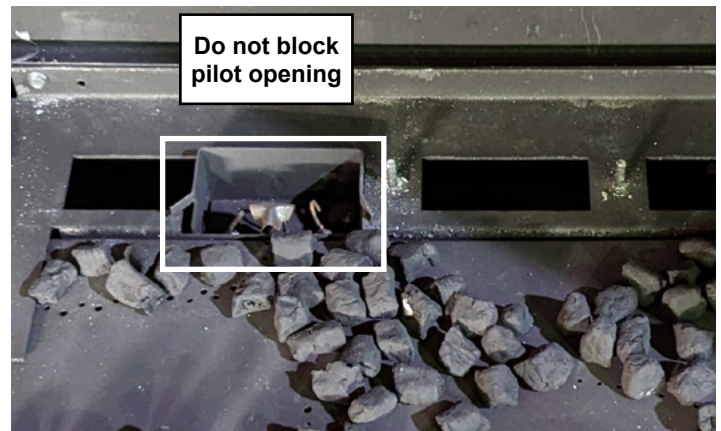


Figure 16.0.19:

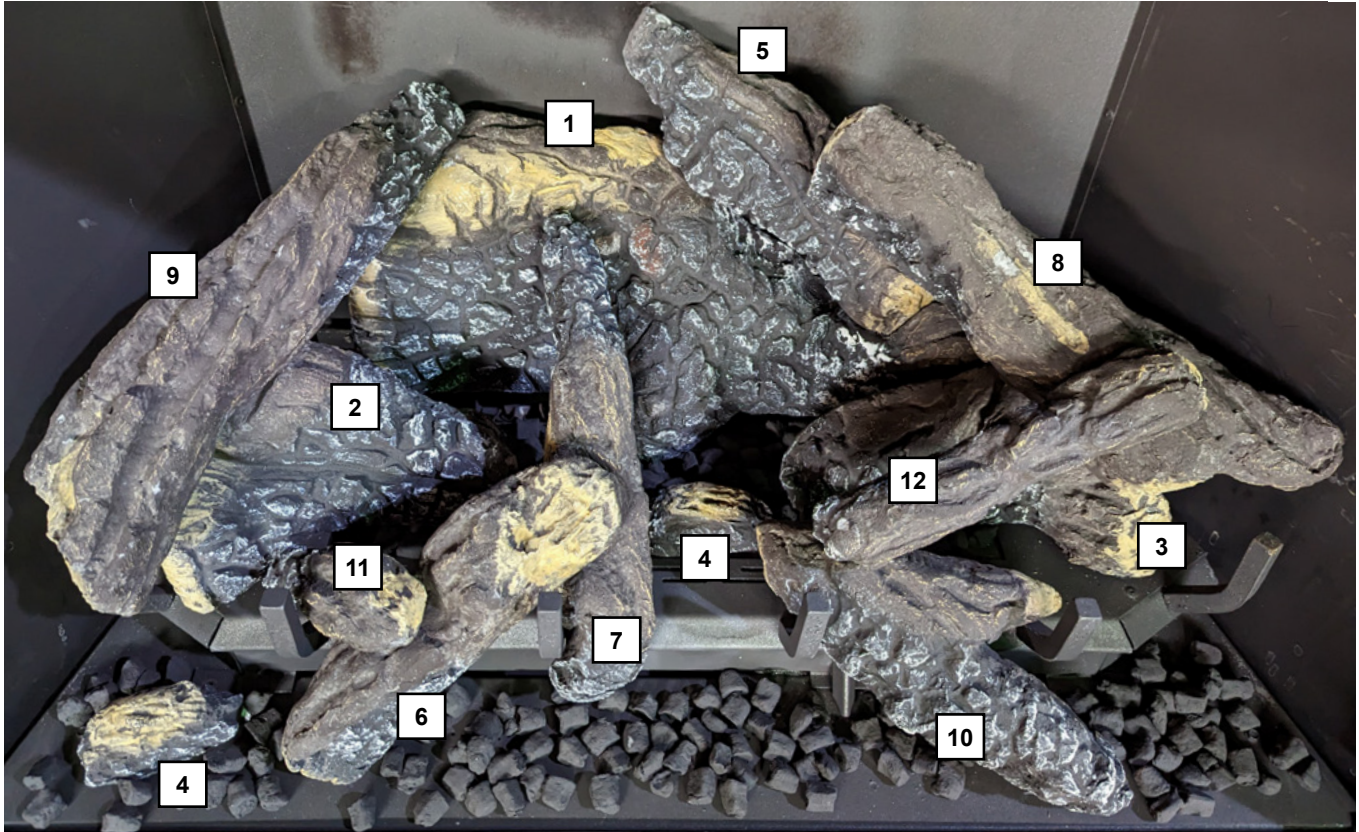


Figure 16.0.20:

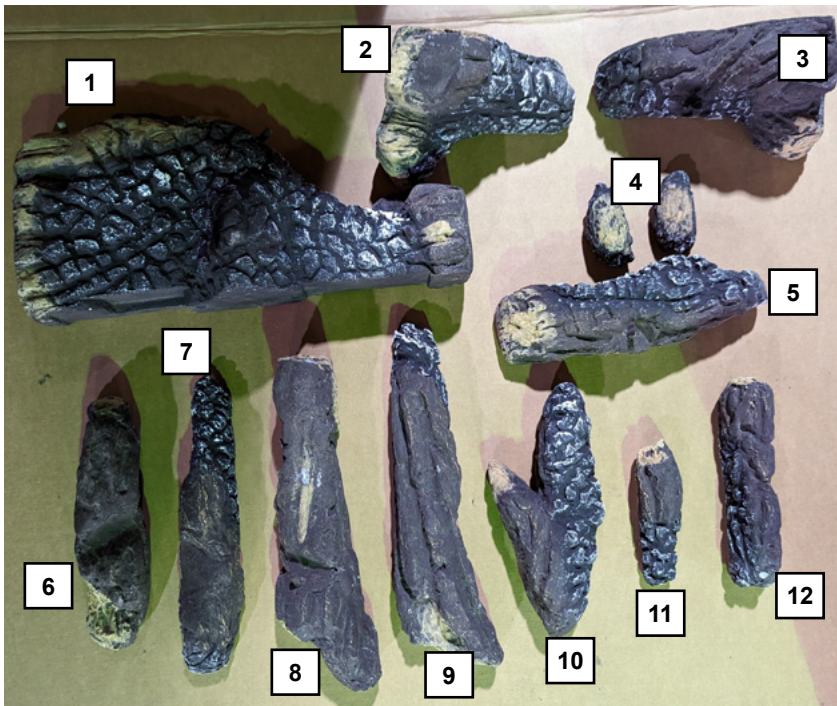


Figure 16.0.21:

Part Number	Description	Qty
UA0001	Kentucky Oak Log Set	1 Set
UA0001-1	Log #1	1
UA0001-2	Log #2	1
UA0001-3	Log #3	1
UA0001-4	Log #4	2
UA0001-5	Log #5	1
UA0001-6	Log #6	1
UA0001-7	Log #7	1
UA0001-8	Log #8	1
UA0001-9	Log #9	1
UA0001-10	Log #10	1
UA0001-11	Log #11	1
UA0001-12	Log #12	1
310-0020	Black Embers	1 Bag



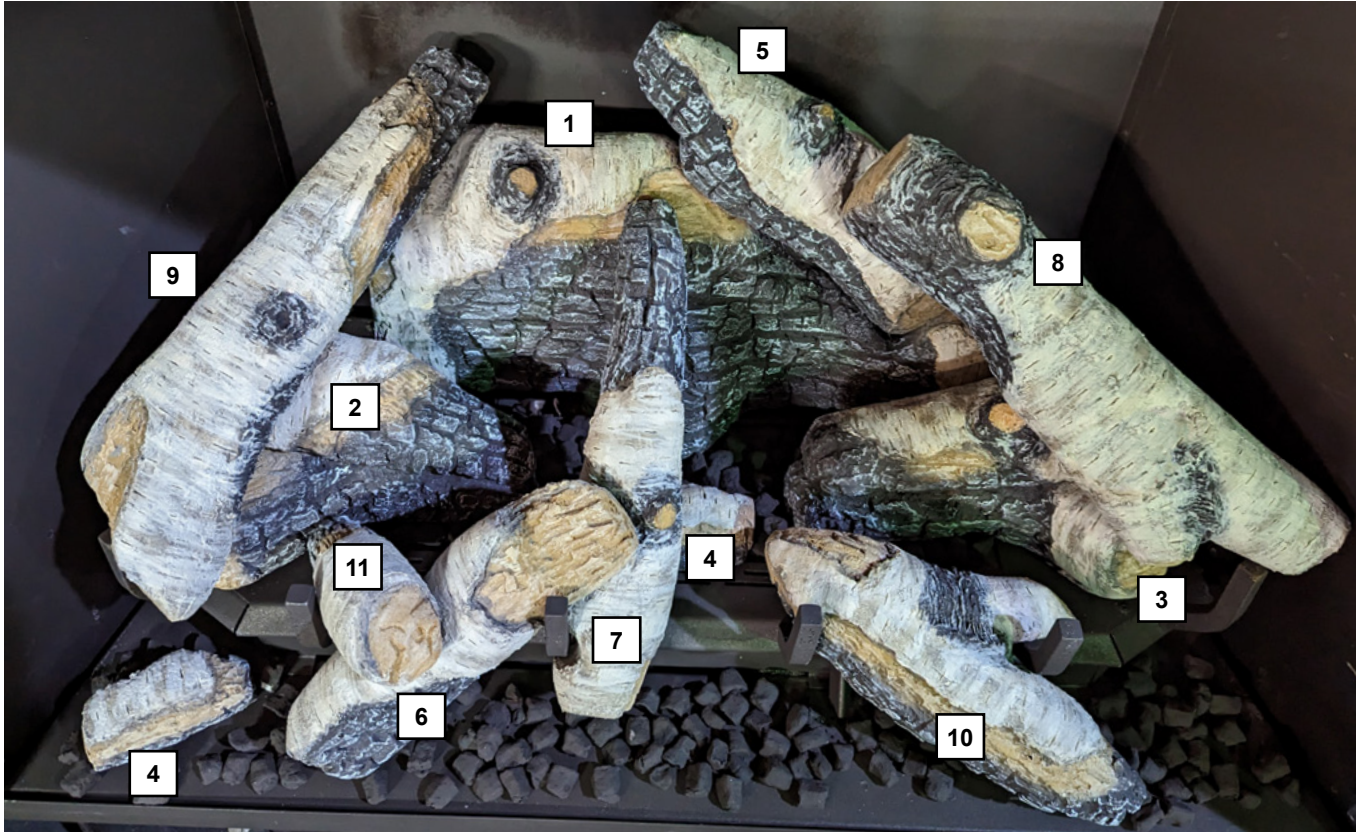


Figure 16.0.22:

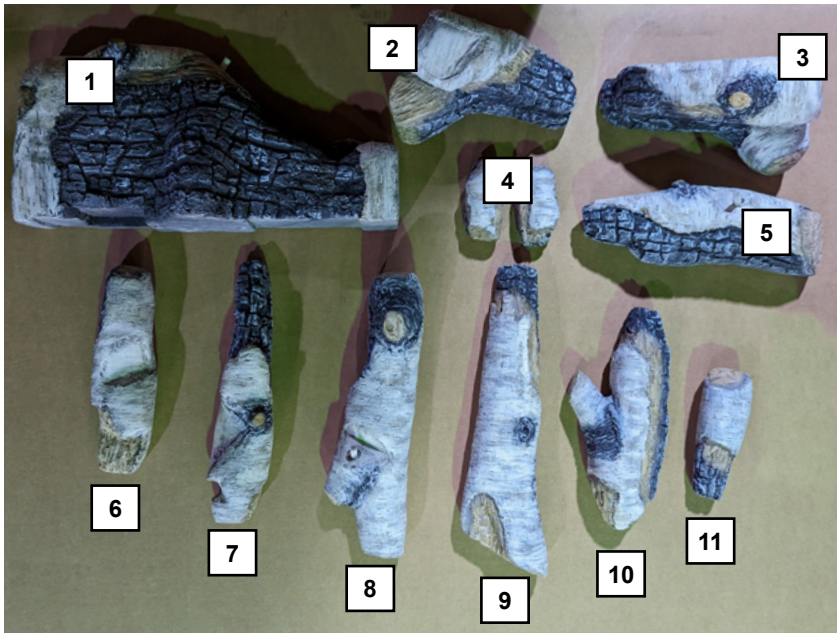


Figure 16.0.23:

Part Number	Description	Qty
UA0002	Eastern Township Birch Log Set	1 Set
UA0002-1	Log #1	1
UA0002-2	Log #2	1
UA0002-3	Log #3	1
UA0002-4	Log #4	2
UA0002-5	Log #5	1
UA0002-6	Log #6	1
UA0002-7	Log #7	1
UA0002-8	Log #8	1
UA0002-9	Log #9	1
UA0002-10	Log #10	1
UA0002-11	Log #11	1
310-0020	Black Embers	1 Bag

## 17.0 Operation

### 17.1 Before Lighting

**WARNING: If you do not follow these instructions exactly, a fire or explosion may result causing property damage, personal injury or loss of life. Do not operate the appliance with the glass front removed, cracked or broken. Replacement of broken glass should be done by a licensed or qualified service person.**

Each Ambiance Gas Fireplace is checked and tested at the factory prior to being packaged and shipped to our dealers and finally installed in your home. Ambiance recommends that before leaving this unit with the customer, the installer must ensure that the appliance is firing correctly and that the electrical system is in working order. This will include:

1. Performing leak tests of supply line, gas control valve, supply line from gas control valve and pilot assembly.
2. Locking the appliance to ensure the correct firing rate (see **Section 13.1** of this manual).
3. If required, adjusting the primary air to burner to ensure that the flame does not carbon or soot.
4. Checking for proper operation including correct drafting.
5. Turning the fireplace ON to ensure that the fan is working correctly. After the system has been checked and confirmed that the fan is in working order, refer to the instructions for FIRST FIRE located in this manual.

Use the installation checklist in **Section 5.0** to ensure all installation steps have been completed.

**Note:** Any alteration to this product that causes carbon or soot deposits that results in any damage or requires cleaning is not the responsibility of the manufacturer.

Do not store or use gasoline or other flammable vapors and liquids in the vicinity of this or any other appliance.

**WHAT TO DO IF YOU SMELL GAS:**

- Do not try to light any appliance.
- Do not touch any electrical switch; do not use any phone in your building.
- Immediately call your gas supplier from a neighbor's phone. Follow the gas supplier's instructions.
- If you cannot reach your gas supplier, call the fire department.

Installation and service must be performed by a qualified installer, service agency or the gas supplier.

1. **BEFORE LIGHTING**, smell all around the appliance area for gas. Be sure to smell next to the floor, because some gases are heavier than air and will settle on the floor.
2. **IF YOU SMELL GAS**, follow the instructions as listed directly above or as shown on the front cover of this manual.
3. Do not use this appliance if any part has been under water. Immediately call a qualified service technician to inspect the appliance and to replace any part of the control system and any gas control which has been under water.
4. This appliance is equipped with an ignition device which automatically lights the pilot and main burner when operating the remote control.

## 17.2 First Fire

When operated for the first few times, the appliance will emit some odor and fumes. This is due to the heat from the appliance evaporating the oils and solvents used in fabricating the appliance. Close off the room to the rest of the house and open all windows. Keep the room well ventilated, as smoke alarm may sound. Run the appliance for at least 6 hours at maximum setting with blower set to OFF to allow paint to cure (after the installer has checked to ensure the fan is operational). Smoke and fumes caused by the curing process may cause discomfort to some individuals. Clean the glass door after this curing process has completed (see **Section 18.1**). Be sure there are no fingerprints left on the glass panels as high temperatures can bake these prints on permanently.

**STOP!** Read safety information on the previous page and front cover of this manual before continuing.

1. Turn off all electric power to the appliance.

**ATTENTION** This appliance is equipped with an ignition device which automatically lights the pilot. **DO NOT** try to light the pilot by hand.

2. Press remote control OFF button.
3. Open gas isolation valve. Wait five (5) minutes to clear out any gas. Smell for gas, including near the floor. If you smell gas, **STOP!** Follow 'WHAT TO DO IF YOU SMELL GAS' below. If you do not smell gas, proceed to the next step.

### WHAT TO DO IF YOU SMELL GAS:

- Do not try to light any appliance
- Do not touch any electrical switch; do not use any phone in your building
- Immediately call your gas supplier from a neighbor's phone. Follow the gas supplier's instructions
- If you cannot reach your gas supplier, call the fire department

4. Turn ON all electric power to the appliance.
5. Press remote control ON button.

**CAUTION** If fireplace will not operate, follow instructions **TO TURN GAS OFF TO APPLIANCE** and call your service technician or the gas supplier.

**NOTE** When fireplace is initially lit, condensation will appear on the glass; this is normal in all gas fireplaces and will disappear after several minutes.

### To Turn Gas Off to Appliance

1. Press remote control OFF button.
2. Turn OFF all electric power to appliance if service is to be performed.
3. Manual shut-off valve located behind lower grill. Turn manual shut-off valve to OFF.

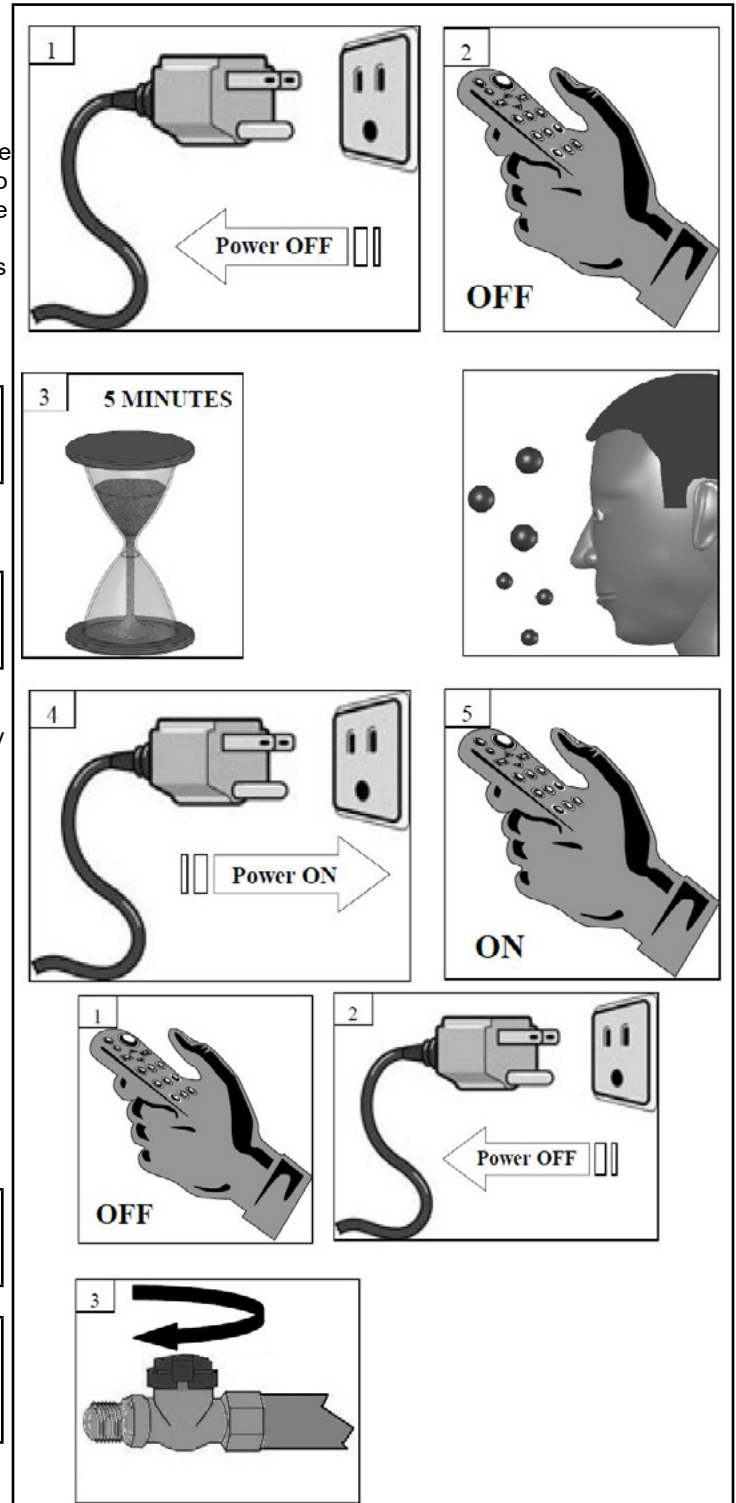


Figure 17.2.01:

## 17.3 Lighting Instructions

The following information may be found on the fireplace rating plate.

FOR YOUR SAFETY READ BEFORE LIGHTING  
POUR VOTRE SÉCURITÉ VEUILLEZ LIRE AVANT L'ALLUMAGE

**WARNING: If you do not follow these instructions exactly, a fire or explosion may result causing property damage, personal injury or loss of life.**

**AVERTISSEMENT: Quiconque ne respecte pas à la lettre les instructions dans la présente notice risque de déclencher un incendie ou une explosion entraînant des dommages, des blessures ou la mort.**

A. This appliance is equipped with an ignition device which automatically lights the pilot. Do not try to light the pilot by hand. When lighting the pilot follow these instructions exactly.

B. BEFORE OPERATING smell all around the appliance area for gas. Be sure to smell next to the floor because some gas is heavier than air and will settle on the floor.

WHAT TO DO IF YOU SMELL GAS

- Do not try to light any appliance.
- Do not touch any electrical switch; do not use any phone in your building.
- Immediately call your gas supplier from a neighbor's phone. Follow the gas supplier's instructions
- If you cannot reach your gas supplier, call the fire department.

C. Do not use this appliance if any part has been under water. Immediately call a qualified service technician to inspect the appliance and to replace any part of the control system and any gas control which has been under water.

A. Cet appareil est équipé d'un dispositif d'allumage qui allume automatiquement la veilleuse. N'essayez pas d'allumer la veilleuse à la main.. Respectez les instructions ci-dessous à la lettre.

B. AVANT D'ALLUMER la veilleuse, reniflez tout autour de l'appareil pour déceler une odeur de gaz. Reniflez près du plancher, car certains gaz sont plus lourds que l'air et peuvent s'accumuler au niveau du sol.

QUE FAIRE SI VOUS SENTEZ UNE ODEUR DE GAZ:

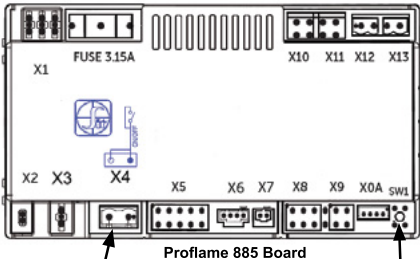
- Ne pas tenter d'allumer d'appareil
- Ne touchez à aucun interrupteur; ne pas vous servir des téléphones se trouvant dans le bâtiment
- Appelez immédiatement votre fournisseur de gaz depuis un voisin. Suivez les instructions du fournisseur.
- Si vous ne pouvez rejoindre le fournisseur, appelez le service des incendies.

C. N'utilisez pas cet appareil s'il a été plongé dans l'eau, même partiellement. Faites inspecter l'appareil par un technicien qualifié et remplacez toute partie du système de contrôle et toute commande qui ont été longés dans l'eau.

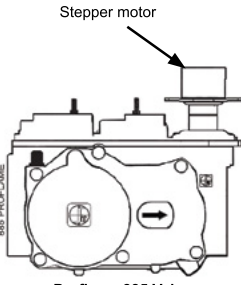
LIGHTING INSTRUCTIONS  
INSTRUCTION D'ALLUMAGE

1. STOP! Read the safety information above on this label. This appliance is equipped with an ignition device which automatically lights the pilot. Do not try to light the pilot by hand.
2. Set the remote control switch to "OFF".
3. Open the lower louvers, or remove trim and barrier screen.
4. Turn off all electric power to the appliance.
5. Open the gas isolation valve.
6. Wait 5 minutes to clear out any gas. Then smell for gas, including near the floor. If you smell gas, STOP! and follow "B" in the safety information above (and to the left) on this label. If you do not smell gas, go to the next step.
7. Turn on all electric power to the appliance.
8. Set the remote control switch to "ON".
9. If the fireplace does not light, the system will cycle through two trials (one minute of audible clicking, thirty seconds of silence, and then another one minute of audible clicking). If the system locks out due to inadequate gas flow, refer to troubleshooting in instruction manual.
10. If the system will not function correctly, follow the instructions "To turn Off Gas To Appliance" below and call your service technician or gas supplier.
11. Replace louver or trim.

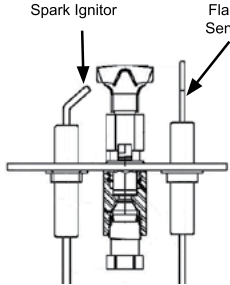
1. ARRÊTEZ! Lisez les instructions de sécurité sur la portion supérieure (à droite) de cette étiquette. Cet appareil est équipé d'un dispositif d'allumage qui allume automatiquement la veilleuse. N'essayez pas d'allumer la veilleuse à la main.
2. Réglez le commutateur à distance sur "OFF".
3. Ouvrez persiennes inférieurs ou garnir.
4. Coupez l'alimentation électrique de l'appareil.
5. Vanne d'isolement de gaz ouverte.
6. Attendez cinq (5) minutes pour laisser échapper tout le gaz. Reniflez tout autour de l'appareil, y compris près du plancher, pour déceler un odeur de gaz. Si vous sentez une odeur de gaz, ARRÊTEZ! Passez à l'étape B des instructions de sécurité sur la portion supérieure (à gauche) de cette étiquette. S'il n'y a pas d'odeur de gaz, passez à l'étape suivante.
7. Réglez le commutateur à distance sur "ON".
8. Allumez l'alimentation électrique de l'appareil.
9. Si le foyer ne se allume pas, le cycle de la volonté du système grâce à deux essais (une minute de clic audible, trente secondes de silence, et puis un autre une minute de clic audible). Si le système se bloque en raison de l'écoulement de gaz insuffisante, voir le dépannage dans le manuel d'instruction.
10. Si le système ne fonctionne pas correctement, suivez les instructions «Pour couper le gaz de l'appareil» ci-dessous et appelez votre technicien d'entretien ou fournisseur de gaz.
11. Persienne fermée ou garnir.



Proflame 885 Board



Proflame 885 Valve



Pilot

TO TURN OFF GAS TO APPLIANCE  
POUR COUPER LE GAZ À L'APPAREIL

1. Set the remote control switch to "OFF".
2. Turn off all electric power to the appliance if service is to be performed.
3. Open louver or access panel.
4. Turn incoming gas isolation valve to "OFF" position.
5. Close louver or trim.

1. Réglez le commutateur à distance sur "OFF".
2. Coupez l'alimentation électrique de l'appareil s'il faut procéder à l'entretien.
3. Ouvrez persiennes inférieurs ou porte d'accès.
4. vanne d'isolement de gaz à proximité
5. Persienne fermée ou garnir.

Figure 17.3.01:

## 17.4 Remote Control Operation

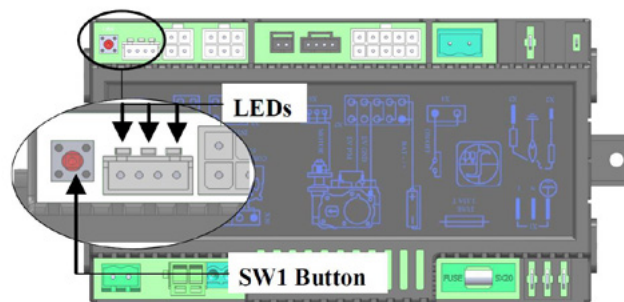
### Initializing the System for the First Time

1. Set ON/OFF rocker switch to OFF position.
2. Install 4 AA batteries (included in components packet into battery backup holder.
3. Connect IFC Control Module to AC power supply
4. Install 3 AAA batteries (included in components packet) into remote control battery bay (located on base of remote control)

**NOTE:** Performing the next step will initiate Pilot Start-up in Manual Mode:

- Pilot igniter will spark repeatedly.
- Pilot will ignite if gas is supplied to the fireplace.

**Remove all packaging / combustibile material from fireplace before proceeding.**



IFC Control Module

Figure 17.4.01:

5. Press red SW1 button on IFC control module until module beeps three (3) times and an amber LED is illuminated indicating the IFC control module is ready to synchronize with the remote control.
6. Within ten (10) seconds push remote control ON/OFF button. The IFC control module will beep four (4) times to indicate the remote control's command is accepted and set to the particular code of that remote control. Press remote control ON/OFF button again. The pilot will shut down indicating the remote has taken over. The system is now initialized.
7. Setting ON/OFF rocker switch to ON position will allow you to operate fireplace with remote control.

### Temperature Display

With the system in OFF position, press Thermostat Key and Mode Key at the same time to change from degrees F to C. Look at remote control LCD screen to verify that C or F is visible on right side of Room Temperature display.

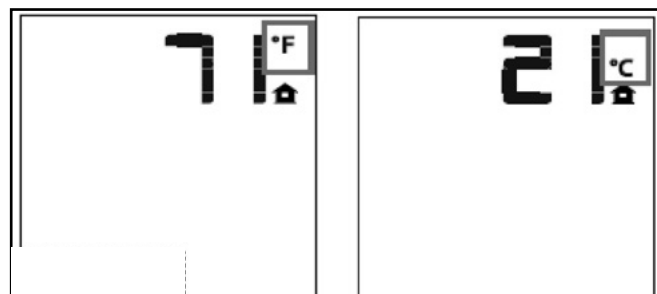


Figure 17.4.02:

### Turn on the Appliance

Press ON/OFF key on remote control. The display will show all active icons on the screen. A single 'beep' from IFC Control Module will Confirm reception of the command.

### Turn off the Appliance

Press ON/OFF key on remote control. The display will show only room temperature and icon on the screen. A single 'beep' from IFC control module will confirm reception of the command.

### Manually Control Flame with Remote Control

The remote control has six (6) flame levels. With system ON and flame level at maximum, press Down Arrow Key once to reduce flame height by one step until flame is turned off. The Up Arrow Key will increase flame height one step each time it is pressed. If Up Arrow Key is pressed while system is on but flame is off, the flame will come on in High position. A single 'beep' will confirm reception of the command. When SMART Thermostat is activated, manual flame height adjustment is disabled.

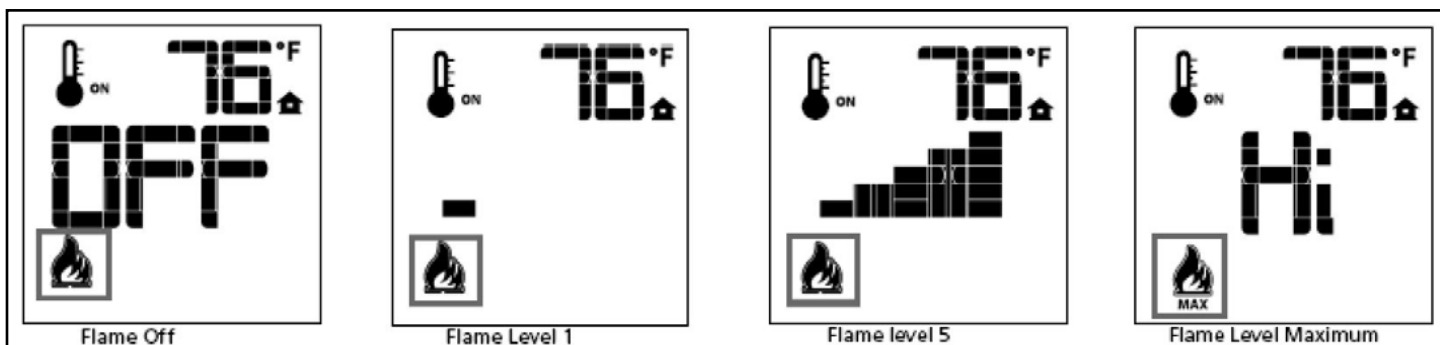


Figure 17.4.03:

## Room Thermostat (Remote Control Operation)

The remote control can operate as a room thermostat. The thermostat can be set to desired temperature to control a room's comfort level.

To activate this function, press the Thermostat Key. The LCD display will change to show the room thermostat is ON and set temperature is now displayed. To adjust set temperature, press Up or Down arrow keys until desired set temperature is displayed on the LCD screen.

**Note:** The fan will automatically activate 5min after ignition and shut down 12min after fire is turned off.

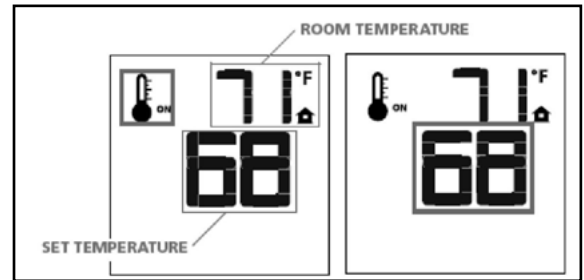


Figure 17.4.04:

## Smart Thermostat (Remote Control Operation)

The Smart Thermostat function adjusts flame height based on set temperature and actual room temperature. As room temperature gets closer to set point the Smart Function will automatically adjust flame down.

1. Press Thermostat key until word SMART appears on right side of temperature bulb graphic
2. To adjust set temperature, press Up/Down arrow keys until desired set temperature is displayed on LCD screen.

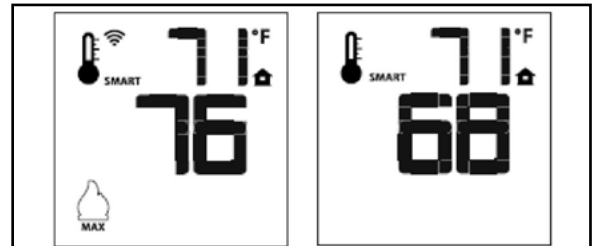


Figure 17.4.05:

### NOTE

When the fireplace is started in SMART thermostat mode:

1. The fan will automatically activate 5min after ignition and shut down 12min after fire is turned off.
2. Manual Flame height adjustment is disabled.

## Fan Speed Control

Fan speed can be adjusted through six (6) speeds. To activate this function use Mode Key to index to fan control icon. Use Up/Down Arrow Keys to turn on, off or adjust fan speed. A single 'beep' will confirm reception of the command.

**In Thermostat Mode:** Fan(s) have a five (5) minute delay time when fireplace is lit, allowing time for heat to build in fireplace before operating, and will continue operating for approximately twelve (12) minutes after fireplace has been turned off.

**In Manual Mode:** Fan(s) will operate at previous setting. There is no delay in start up or stop time.

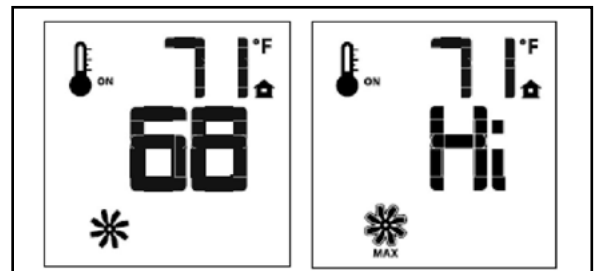


Figure 17.4.06:

## Accent Lighting

1. Use MODE key to guide you to LIGHT icon.
2. The light intensity can be adjusted through six (6) levels. Use UP/DOWN Arrow Keys to adjust intensity level. A single beep will confirm reception of the command.

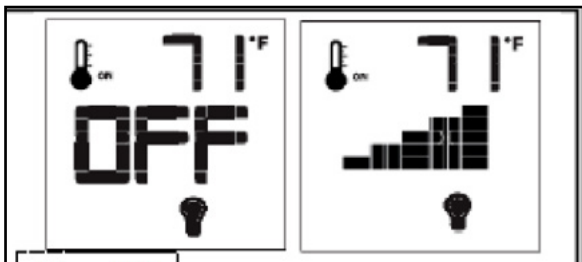


Figure 17.4.07:

## Key Lock

This function locks the keys to avoid unsupervised operation.

To Activate: Press MODE and UP keys at same time.

To De-activate: Press MODE and UP keys at same time.

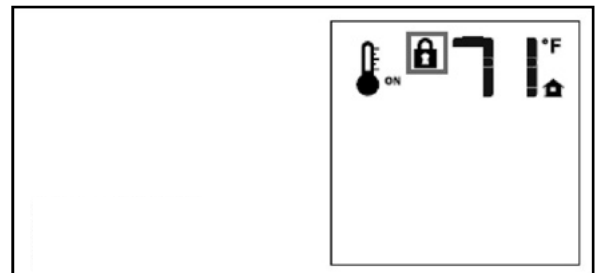


Figure 17.4.08:

## Low Battery Detection

**REMOTE CONTROL:** Remote control battery lifespan depends on various factors including battery quality, number of ignitions, changes to room thermostat set point, etc. When remote control batteries are low a Battery Icon will appear on the LCD display before all battery power is lost. When batteries are replaced this icon will disappear.

### **BACKUP BATTERY PACK (used when 120V home electrical power is interrupted):**

- Red LED indicator on the IFC Module will enter a (1) blink sequence
- Backup batteries lifespan depends on various factors including battery quality, number of ignitions, changes to room thermostat set point, etc. When batteries are low, a double beep will be emitted from the IFC control module when it receives an ON/OFF command from the remote control
- This is an alert for a low battery condition of the backup batteries and after this double-beep warning, no commands will be accepted until batteries are replaced
- When batteries are replaced a beep will be emitted from IFC control module as soon as powered

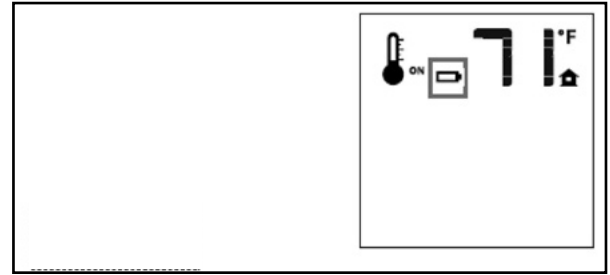


Figure 17.4.09:

## Continuous Pilot On Demand Ignition / Intermittent Pilot Ignition (CPI/IPI)

With the system in “OFF” position press the Mode Key to index to the CPI mode icon.

Pressing the UP Arrow Key will activate the Continuous Pilot on Demand Ignition mode (CPI). Pressing the Down Arrow Key will return to IPI. A single “beep” will confirm the reception of the command.

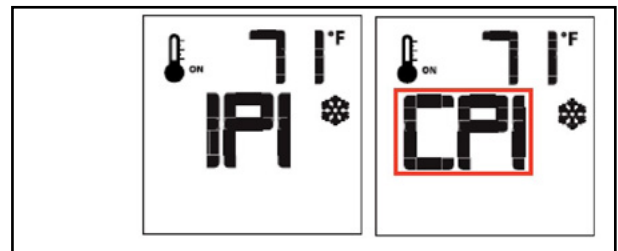


Figure 17.4.10:

### **CPI vs IPI:**

**Continuous Pilot on Demand Ignition (CPI):** In this mode the pilot runs continuously even when the main burner is off. The Continuous Pilot on Demand Ignition operates on a seven day cycle. If the main burner is not turned on for seven continuous days, the pilot will turn itself off. When the main burner is lit again the cycle repeats. The pilot will remain lit for seven days, even after the main burner is turned off. If the main burner is lit during a seven day timing cycle, the seven day timer will reset.

**Intermittent Pilot Ignition (IPI):** A fuel saving mode in which the pilot is only used when the main burner is on.

This appliance is shipped in IPI mode. IPI mode is often the preferred method, however, there are some situations where it may be preferable to switch the fireplace into CPI mode. For example, in colder climates the glass door or the front of the fireplace could become very cold to the touch. Dynamic Start Advantage will solve most problems experienced by older IPI operated fireplaces.

## Reset System for Manual Operation

1. Put ON/OFF switch in OFF position.
2. Press red SW1 button on IFC control module until the IFC control module emits three (3) beeps and an amber LED is illuminated, indicating the IFC control module is ready to synchronize with remote control. Within ten (10) seconds press the red SW1 button on IFC control module again. The pilot will automatically light.
3. Turn main burner on by pressing ON/OFF switch to ON position, turn off by pressing ON/OFF switch to OFF position. Pilot will remain lit even if burner is turned off.

When operating fireplace in this capacity, the only function available for burner operation is on HI.

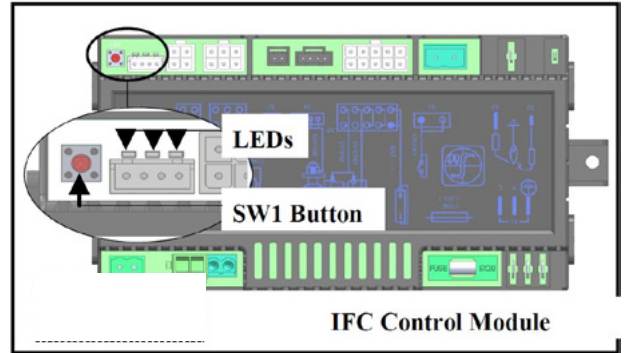


Figure 17.4.11:

## Automatic Safety Restart

This system will execute an automatic turn OFF command within 24 hours of a continued main burner ignition. This allows the system to verify correct safety functions. After turn OFF sequence is completed, the IFC control module will re-execute the latest command.

### Diagnostic Indications Information

#### LOW BATTERY CONDITION (Less than 4V):

**Remote Control:** Battery Icon will appear on LCD remote control display. Replace batteries.

**Battery Back-up:** Red LED indicator will enter a (1) blink sequence. IFC Module will emit a double-beep when it receives an ON/OFF command from the hand held remote. Replace batteries.

**Pilot Flame Error Condition:** Red LED Indicator will commence a (2) blink sequence. Contact your dealer if this occurs.

#### System Lock Out Condition:

- Red LED Indicator will commence a (3) blink sequence. Make sure your gas is turned on.
- Make sure pilot sensor is not shorted out.
- Follow reset information above if the module goes into a Lock Out state.



# Operation

## S.I.T. Proflame 2 IFC Ignition and Reset

### Ignition Sequence

Starting from OFF, press remote control ON button. Approximately four (4) seconds after ON/OFF button is pushed, the IFC control module will start the spark. First ignition try will last approximately sixty (60) seconds.

If there is no flame ignition (rectification) during the first try for ignition, the IFC control module will stop sparking for approximately thirty five (35) seconds. After this wait time, the IFC control module will start the second try for ignition by sparking for approximately sixty (60) seconds. If ignition is successful on second ignition attempt, there will be a sixty (60) second delay before the main burner lights.

If after this second attempt there is still no positive ignition, the IFC control module will go into LOCK OUT and the red LED will blink three (3) times in intervals until the system is reset.

After ignition of the burner, the pilot flame should not lose contact with the flame sensor. If the pilot flame does lose contact with the flame sensor for 5 continuous seconds, the burner will turn off and the system will go into LOCK OUT.

**LED Indicator Location:** Corner of IFC control module. (IFC control module location determined by fireplace model and design. May be located in component housing behind lower grill or behind left side access panel).

**LOCK OUT = LED blinks three (3) time in intervals until the system is reset.**

### In Summary:

1. The IFC control module will try two (2) times for ignition.
2. Each try for ignition will last approximately sixty (60) seconds.
3. The wait time between the two tries is approximately thirty five (35) seconds.

### RESET IFC CONTROL MODULE WHEN SYSTEM GOES INTO LOCK OUT

#### Reset Using ON/OFF Switch:

Set ON/OFF switch to OFF position. Wait approximately two (2) seconds and move switch to the ON position. The ignition sequence will start again.

#### Reset Using Remote Control ON/OFF Button:

Turn the system off by pressing the remote control ON/OFF button. After approximately two (2) seconds press the remote control ON/OFF button again. The IFC control module will reset and the ignition sequence will start again.

#### Reset By Cycling Flame:

In the Manual Flame Control Mode, use the Down Arrow Button to reduce flame to off (indicated by OFF displayed on Remote Control Display Screen). Wait approximately two (2) seconds and press the Up Arrow Button, the ignition sequence will start.

## Additional Diagnostic Indication Information

**Low Battery Condition (<4V) Remote Control:** Battery Icon will appear on LCD remote control display. Replace batteries.

**Low Battery Condition (<4V) Battery Backup:** Red LED Indicator will blink one (1) time in intervals. Low double-beep emitted from IFC control module when it receives an ON/OFF command from the remote control. Replace batteries.

**Pilot Flame Error Condition:** Red LED Indicator will blink two (2) times in intervals. Contact your dealer.

**System Lock Out Condition:** Red LED Indicator will blink three (3) times in intervals. Make sure gas is turned on. Make sure sensor is not shorted. If the system is in a locked state, reset the IFC module as follows: Turn off all power to the IFC module for at least 2 seconds (including the backup battery pack), then restore power to the IFC module.

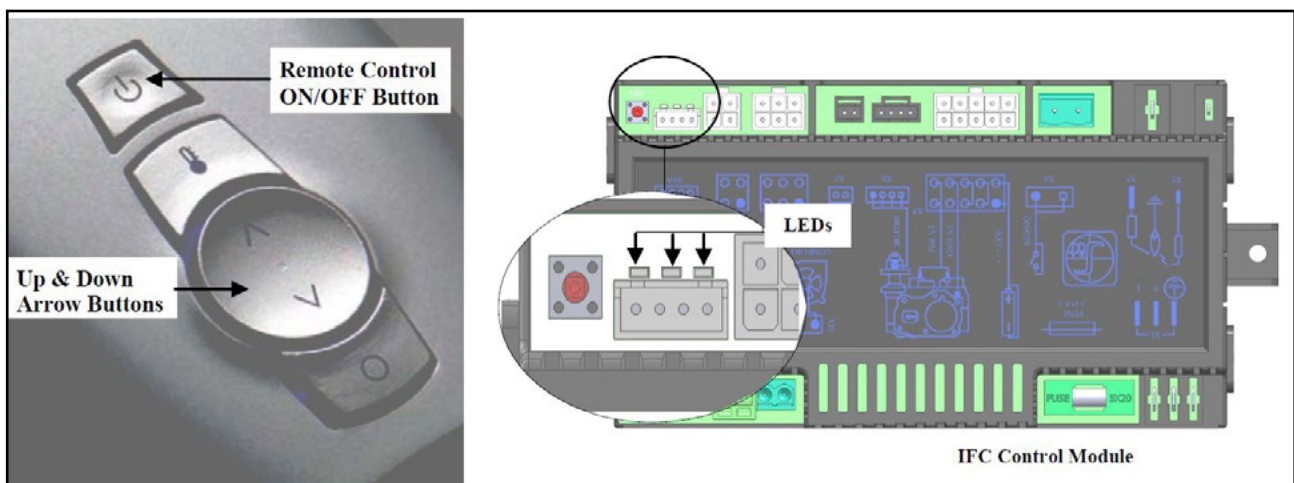


Figure 17.4.12:

## 18.0 Maintenance

**CAUTION:**

Do not conduct maintenance on the appliance while it is operating or while it is still hot. Always verify proper operation after servicing.

### 18.1 Cleaning and Routine Maintenance

The exterior painted surfaces, glass, and metal plated trims may be cleaned with a soft, non-abrasive cloth and water or a suitable, mild, non-abrasive cleaner. Be sure there are no fingerprints left on the glass panels as high temperatures can bake these prints on permanently.

**Regularly:**

- Frequent cleaning of the ceramic glass is recommended. We recommend using a good quality ammonia free gas fireplace glass cleaner that is available at any hearth retail location. Take care to avoid scratching glass while cleaning. **DO NOT CLEAN WHILE HOT.** Never use common household cleaners to clean the glass.
- Keep the appliance area free from combustible materials, such as paper, wood, clothing, gasoline and flammable solids, liquids and vapors
- Visually check the height and color of the burner and pilot flames

**Once a year, have a qualified service technician:**

- Perform the regular services listed above
- Inspect and operate the pressure relief mechanism (door buckles) to verify they are free from obstruction and operate properly
- Carefully remove the logs and gently brush off any loose carbon deposits. This job is best done outside the house, wearing a dust mask. The logs are very fragile, take care not to break them. Do not wash logs with any liquid. While the logs are removed, check that all burner openings are not obstructed and it is recommended you use a vacuum cleaner to clean off any dust or lint
- Vacuum and clean any lint accumulations or debris in the firebox, on the burners, on the pilot, at the primary air opening, on the convection air blower and in any combustion and convection air passageways
- After cleaning, the logs and embers must be replaced according to the instructions in this manual
- Inspect the operation of the flame safety system pilot and gas valve
- Inspect and ensure the lighting of the main burner occurs within 4 seconds of the main gas valve opening. Flames should match those shown in **Section 18.3**
- Completely inspect the appliance and the venting system, if the vent pipe or seal is found to be defective, replace and or reseal (follow the instructions found in the venting instructions, **Section 10.0**)
- Inspect the condition of the vent and vent terminal for sooting or obstruction and correct if present
- Test and measure the flame failure response time of the flame safety system. It must de-energize the safety shutoff in no more than 30 seconds
- Check all accessible gas-carrying tubes, connections, pipes and other components for leaks

**WARNING: All parts removed or disturbed, including guards and grills, must be properly replaced after maintenance. Service and repair must be conducted by a qualified service person. If these instructions are not followed, a fire or explosion may result, causing property damage, personal injury or loss of life.**

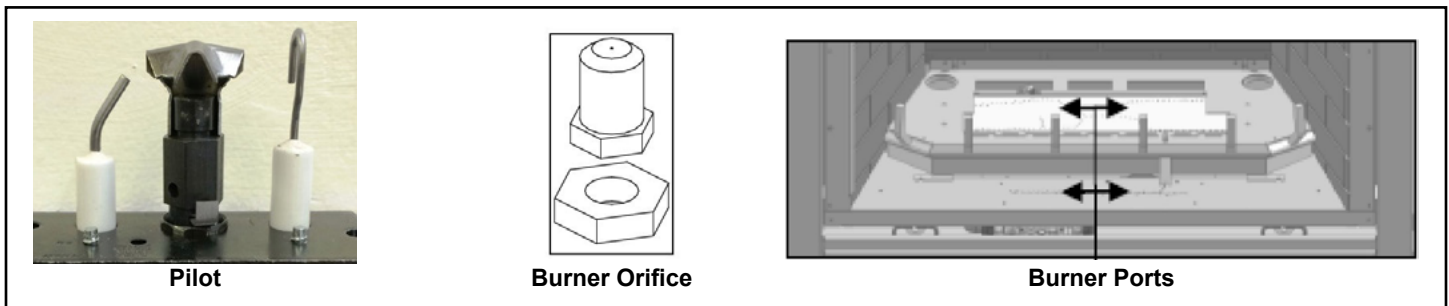


Figure 18.1.01:

## 18.2 Pressure Testing

### WARNING

Servicing of this appliance **must be conducted by a qualified service technician**. Improper servicing, adjustment or alteration of this appliance may cause property damage, personal injury or loss of life. All servicing should be conducted with the appliance cold. All replacement parts must be authorized by Ambiance for suitability.

### IMPORTANT

Pressure check taps for manifold (outgoing) and inlet (incoming) pressure have been incorporated into the valve. The pressure tap marked OUT measures outgoing pressure and the pressure tap marked IN measures incoming pressure. Follow instructions below for proper testing procedures. Refer to page 18 for proper NAT and LP manifold pressures.

### NOTE

The appliance and its appliance main gas valve must be disconnected from the gas supply piping system during any pressure testing of that system at test pressures in excess of 1/2 psi (3.5 kPa). The appliance must be isolated from the gas supply piping system by closing its equipment shutoff valve during any pressure testing of the gas supply piping system at test pressures equal to or less than 1/2 psi (3.5 kPa).

### Inlet Pressure Test:

1. Loosen inlet (IN) pressure tap screw (counter-clockwise).
2. Attach manometer using a 1/4" I.D. hose.
3. Light pilot and burner. Check pressure to ensure it is between the min. and max. recommended pressure settings.
4. Turn off burner and pilot.
5. Disconnect hose and tighten screw (clockwise). Screw should be snug, do not over-tighten.
6. Relight pilot and burner. Reattach manometer to inlet pressure tap to verify that it is completely sealed. Manometer should read no pressure.

### NOTE

If inlet pressure reading is too high or too low, contact the gas company. Only a qualified gas service technician should adjust incoming gas pressure.

### CAUTION

A LOW PRESSURE READING CAN CAUSE DELAYED IGNITION.

### Manifold Pressure Test:

1. Light pilot.
2. Loosen manifold (OUT) pressure tap screw (counter-clockwise).
3. Attach manometer to pressure tap using a 1/4" I.D. hose.
4. Light pilot and burner. Check manometer reading.
5. Turn burner and pilot off.
6. Disconnect manometer hose and tighten screw (clockwise). Screw should be snug, do not over-tighten.
7. Attach manometer to manifold pressure tap to verify it is completely sealed. Manometer should read no pressure when pilot and burner are on.

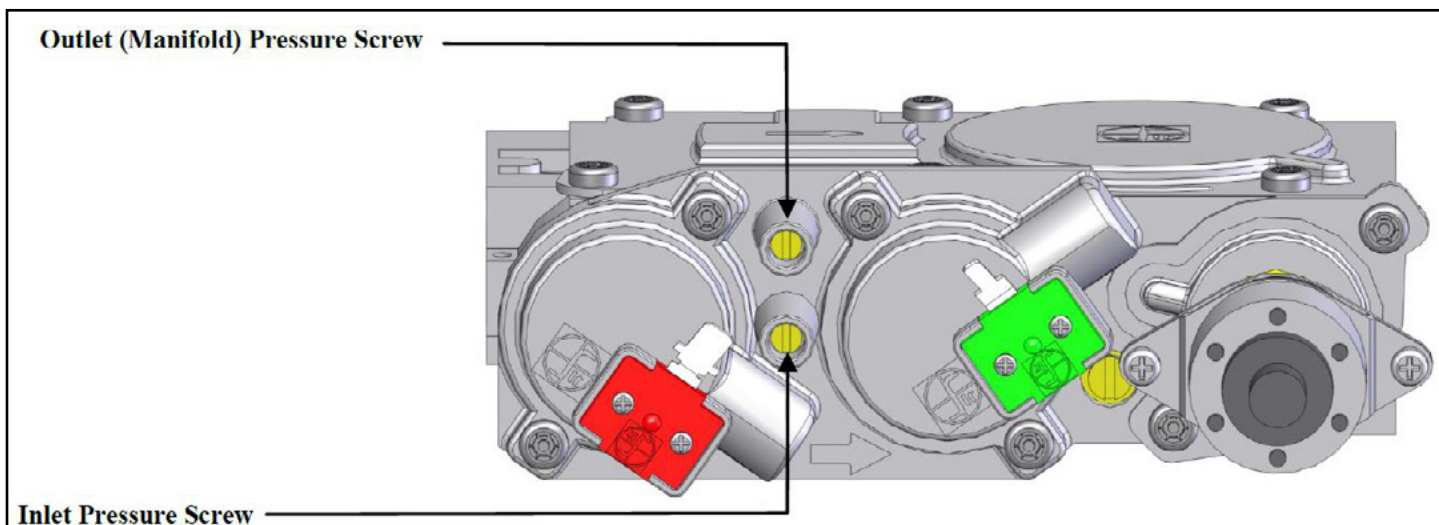


Figure 18.2.01:

## 18.3 Flame Appearance

Flame appearance is affected by several factors including altitude, venting configuration and fuel quality. Although the venturi setting has been factory set, adjustments may be necessary for optimal performance and visual aesthetics.

When fireplace is first lit, the flames will be blue. Flames will gradually turn yellowish-orange during first 15 minutes of operation. If flames remain blue, or become dark orange with evidence of sooting (black tips), the burner tube venturi may need adjustment.

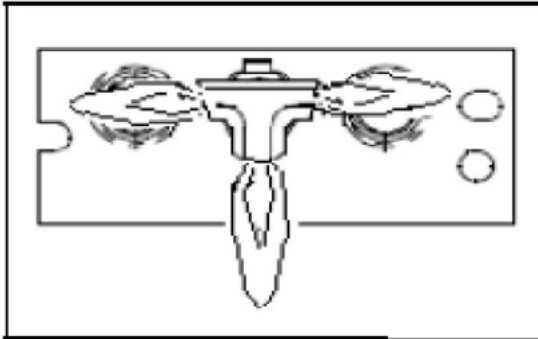


Figure 18.3.01: Correct Pilot Flame

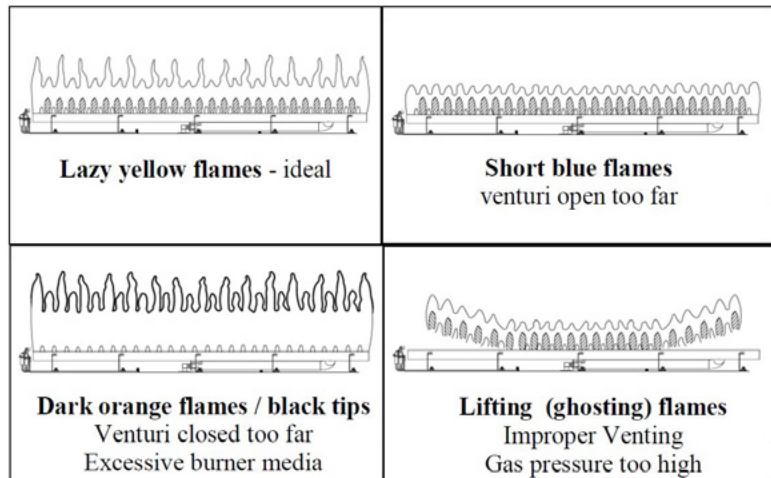


Figure 18.3.02:

**WARNING** Burner tube adjustable venturi positioning should only be performed by a qualified professional service technician.

FACTORY SET BURNER TUBE AIR SHUTTER SETTINGS (ADJUST AS NECESSARY FOR YOUR INSTALLATION)		
	NATURAL GAS	LP (PROPANE) GAS
FRONT BURNER	100% CLOSED	5/8" (16mm) OPEN
BACK BURNER	1/8" (3mm) OPEN	5/8" (16mm) OPEN

BURNER TUBE AIR SHUTTER ADJUSTMENT GUIDELINES		
VENTURI POSITION	FLAME COLOR	VENTURI ADJUSTMENT
Closed too far	Dark orange flame with black tips	Open air shutter setting slightly
Open too far	Blue flames	Close air shutter setting slightly

**NOTE** If soot is present, check burner media positioning before adjusting burner venturi. Burner media must not block burner ports.

**IMPORTANT** SLIGHT ADJUSTMENTS TO BURNER AIR SHUTTER OPENING CREATES DRAMATIC RESULTS. ADJUST AT SLIGHT INCREMENTS UNTIL DESIRED LOOK IS ACHIEVED. ALWAYS BURN FIREPLACE FOR AT LEAST 15 MINUTES AND ALLOW TIME TO COOL BEFORE MAKING ANY FURTHER ADJUSTMENTS.

**NOTE** Front burner venturi generally does not require adjustment unless installing a gas conversion kit.

## TO ADJUST BACK (MAIN) BURNER VENTURI:

**WARNING** To avoid property damage or personal injury, allow fireplace time to cool before making any adjustments.

Back (main) burner venturi adjustment handle is attached to underside of control board. Access through lower grill opening. Loosen wing nuts, adjust as necessary, pulling handle forward to open, pushing backwards to close. Tighten wing nuts.

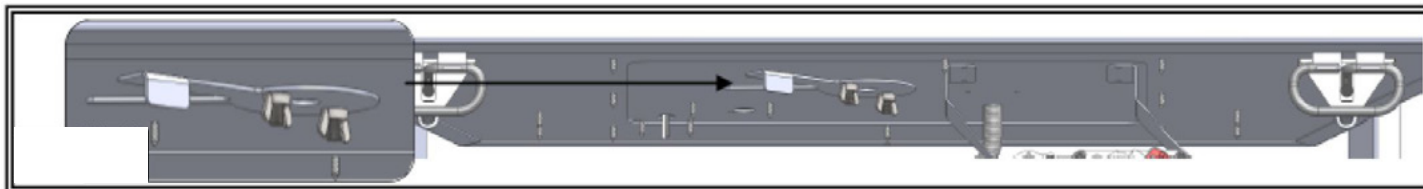


Figure 18.3.03:

## RESTRICTOR ADJUSTMENT:

**WARNING** TO AVOID PROPERTY DAMAGE OR PERSONAL INJURY, ALLOW FIREPLACE AMPLE TIME TO COOL BEFORE MAKING ANY ADJUSTMENTS.

Restrictor setting adjustment handle is located at top front of firebox. Remove glass frame assembly to access. Loosen screw, adjust setting, tighten screw and reinstall glass frame assembly.

RECOMMENDED RESTRICTOR SETTINGS	
VENTING	RESTRICTOR POSITION
Min. - 20ft. (6.1m)	FULL OPEN (handle pulled forward)
20ft. (6.1m) - 35ft. (10.7m)	PARTIAL OPEN (handle set to center)
35ft. (10.7m) - 50ft. (15.2m)	CLOSED (handle pushed back)

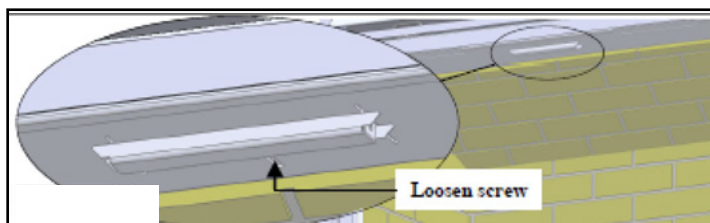
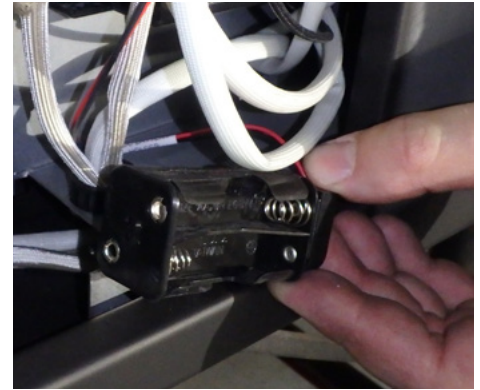


Figure 18.3.04:

## 18.4 Replacing Batteries

1. **Disconnect power supply to the fireplace (including backup batteries).**
2. **Ensure the fireplace is off and cool before servicing.**
3. **Turn off gas supply.**
4. Open the lower grill (see **Section 6.5**).
5. Pull the control board from under the firebox. The control board is held in place by two strips of velcro.
6. Remove the battery holder from the velcro strap on the side of the control board
7. Replace the batteries and wrap the battery holder in the velcro strap on the side of the control board.
8. Carefully place the control board back under the firebox, using the existing velcro to keep it in place. The control board should be kept as close to the front of the unit as possible.
9. Light the fireplace to verify proper operation. Resupply power once fireplace operation has been confirmed.
10. Replace the lower grill.



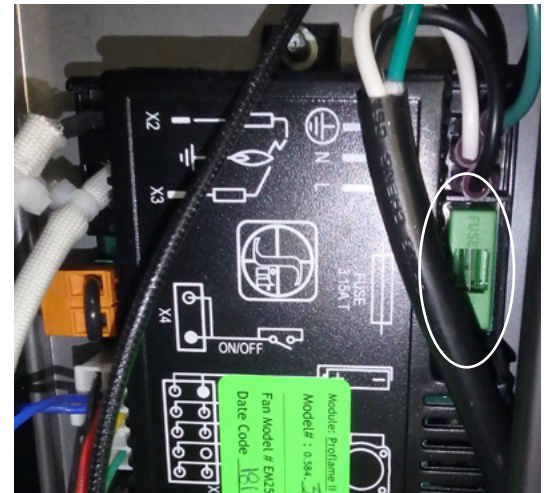
**Figure 18.4.01:**

**Battery Specifications:** 4 x AA Batteries

## 18.5 Replacing Fuse

1. **Disconnect power supply to the fireplace (including backup batteries).**
2. **Ensure the fireplace is off and cool before servicing.**
3. **Turn off gas supply.**
4. Open the lower grill (see **Section 6.5**).
5. Pull the control board from under the firebox. The control board is held in place by two strips of velcro.
6. Remove the fuse holder from the control board.
7. Replace the fuse with one which has the same specifications using the existing fuse holder.
8. Carefully place the control board back under the firebox, using the existing velcro to keep it in place. The control board should be kept as close to the front of the unit as possible.
9. Resupply power and light the fireplace to verify proper operation.
10. Replace the lower grill.

**Fuse type:** T3.15AL250V  
**Part Number:** RP-305-2080



**Figure 18.5.01:**

## 18.6 Replacing the Burner

### BURNER REMOVAL

#### CAUTION

If burner and/or pilot have been burning, use appropriate protection to avoid burns or damage to personal property before removing any components.

#### WARNING

DO NOT OPERATE THIS FIREPLACE WITHOUT SEALING GASKET (LOCATED UNDER CONTROL BOARD) IN PLACE. IF GASKETING IS DAMAGED, IT MUST BE REPLACED.

1. Use remote to turn fireplace off.
2. Shut off gas supply at manual shut-off valve. Disconnect gas line flex tube from the manual shut-off valve.
3. Unplug all components from electrical outlet, disconnect all wiring harnesses attached to gas valve.
4. Disconnect light kit communication link (black and white leads) from module communication link (black and white leads).
5. Remove upper hood, upper grill, glass assembly, logs, and pilot shield.
6. Remove back burner; secured with screws, (2) at front, (2) at back.
7. Remove light kit cylinders, amber light filters, and halogen bulbs. Remove screws securing light stands, lay light stands on control board.
8. Remove side refractory panels.
9. Loosen front orifice bracket screws, push orifice backwards far enough to release from venturi.
10. Remove front burner, secured with screws, (2) at front, (2) at back.
11. Remove (8) screws securing control board. Lift board up and out of firebox.

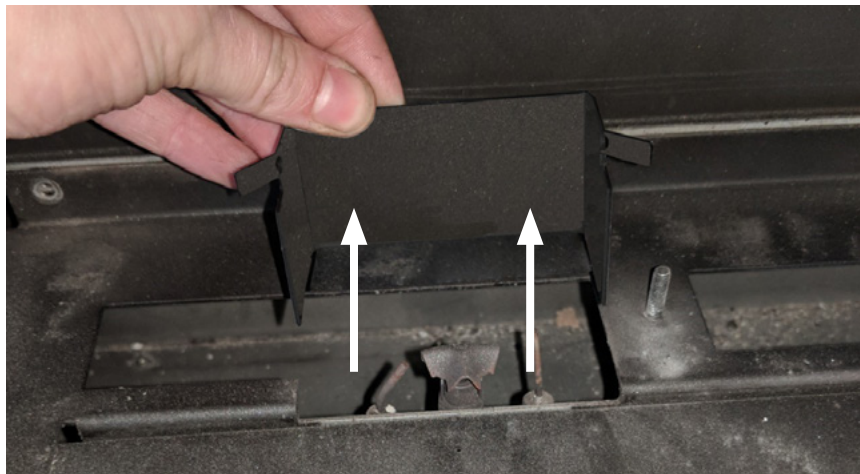


Figure 18.6.02: Pilot Shield Removal

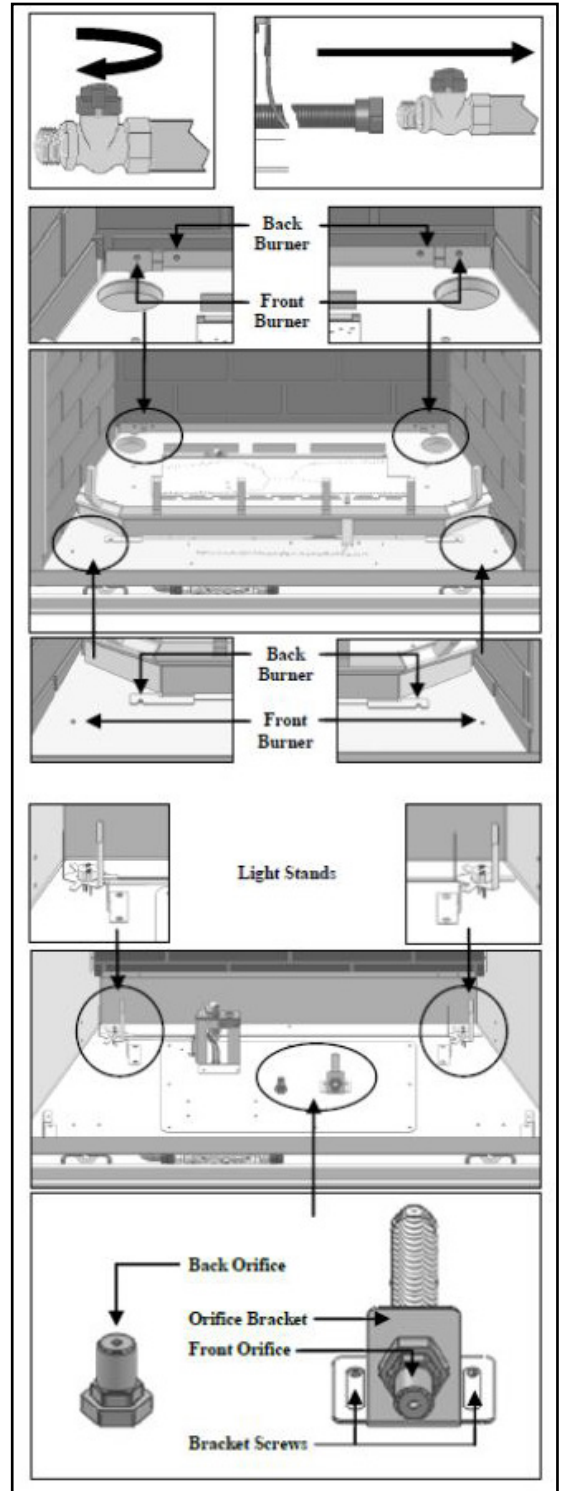


Figure 18.6.01:

## BURNER INSTALLATION

### WARNING

DO NOT OPERATE THIS FIREPLACE WITHOUT SEALING GASKET (LOCATED UNDER CONTROL BOARD) IN PLACE. IF GASKETING IS DAMAGED, IT MUST BE REPLACED.

1. Place burner in firebox, aligning holes in burner to holes in firebox bottom. Make sure gasket is in place on firebox bottom. Secure with screws previously removed.
2. Reinstall front burner. Align front burner orifice with front venturi, pull orifice bracket forward until orifice is seated inside venturi. Tighten orifice bracket screws. Figure 20a. Secure burner with (4) screws previously removed.
3. Reinstall side refractory panels.
4. Reinstall light kit stands (secure with screws previously removed), halogen bulbs, cylinders and amber light filters.
5. Reinstall back burner assembly, making sure venturi is properly positioned over back burner orifice. Figure 20a. Secure with 4 screws previously removed.
6. Reinstall the pilot shield and log set.
7. Reconnect gas line to manual shutoff valve.
8. Reconnect all wiring harnesses to gas valve, Plug all components into electrical outlet.
9. Reconnect light kit communication link (black and white leads) to module communication link (black and white). (black to black, white to white).
10. Reinstall glass frame assembly, upper hood and upper grill.
11. Turn gas on.
12. Verify proper log placement, operation of fireplace, and any electrical components.

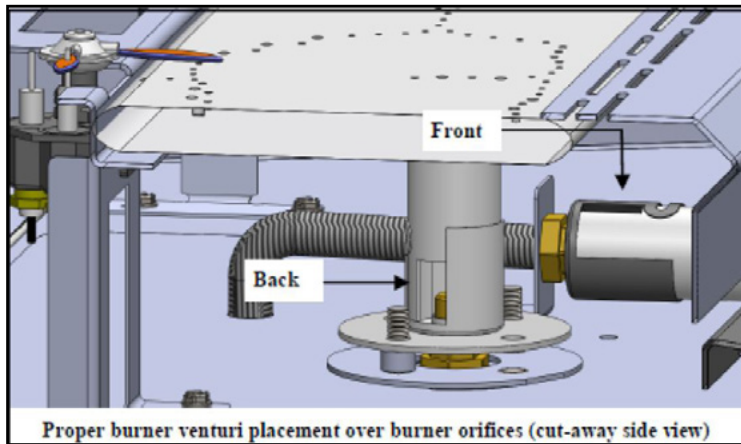


Figure 18.6.04:

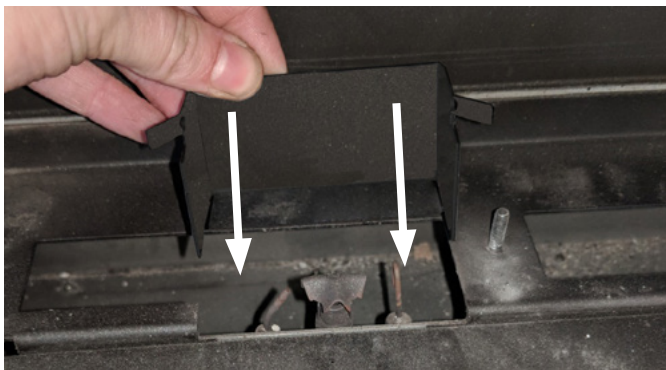


Figure 18.6.05: Pilot Shield Installation

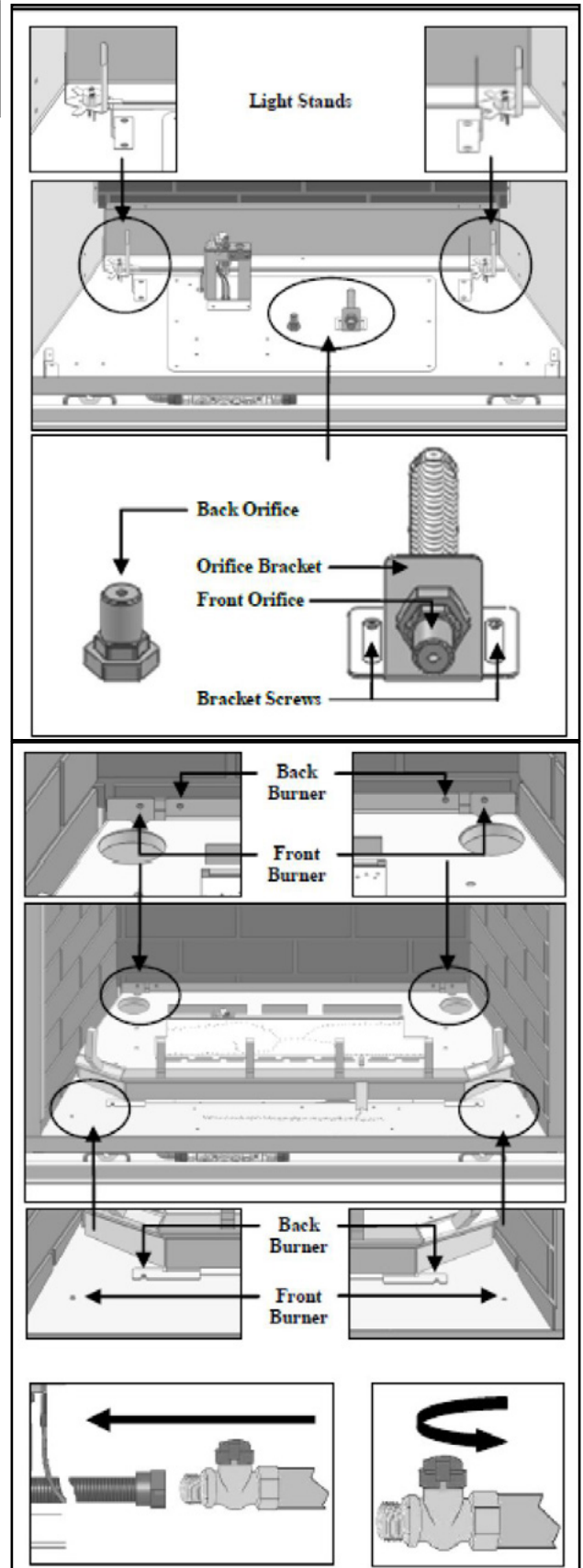


Figure 18.6.03:



## 18.7 Replacing the Control Board

**CAUTION:** Label all wires prior to disconnection when servicing controls. Wiring errors can cause improper and dangerous operation. Verify proper operation after servicing. This appliance, when installed, must be electrically grounded in accordance with local codes or, in the absence of local codes, with the **National Electrical Code, ANSI/NFPA 70, or the Canadian Electrical code, CSA C22.1.**

**Before you begin:**

- **Ensure the fireplace is off and cool before servicing**
- **Disconnect power supply to the fireplace (including backup batteries)**
- **Turn off gas supply**
- Open the lower grill (see **Section 6.5**)
- Pull control board plate from under the firebox  
The control board is secured to the bottom of the fireplace using two strips of velcro.

1. Mark all the wires connected to the control board as you unplug them from the control board.
2. Remove the two 8-32 nuts securing the control board to the plate.
3. Install the new control board using the nuts previously removed.
4. Plug the wires into the control board.

**Final steps:**

- Carefully place the control board back under the firebox, using the existing velcro to keep it in place.  
The control board should be kept as close to the front of the unit as possible
- Replace the lower grill
- Resupply gas to the fireplace
- Resupply power to the fireplace

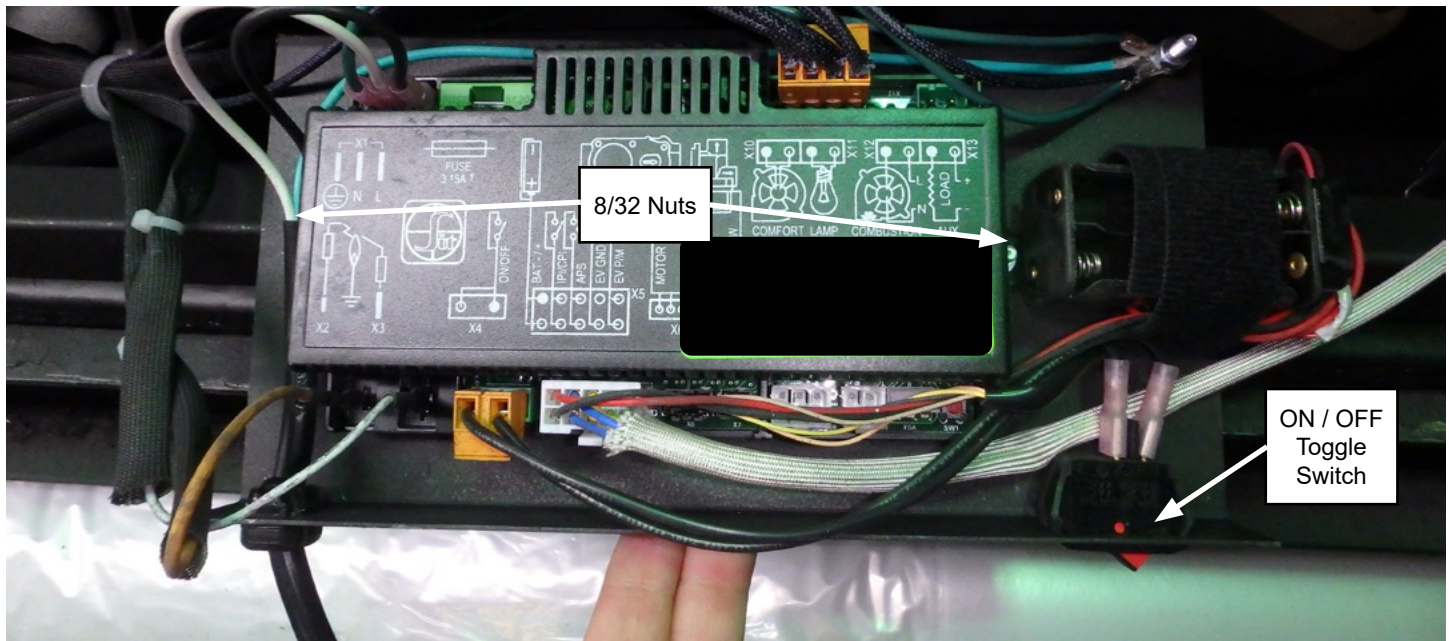


Figure 18.7.01:

## 18.8 Wiring Schematic

**WARNING**

THIS SYSTEM REQUIRES ELECTRICITY (120V) AND / OR BATTERIES TO OPERATE.

USING BATTERY BACK-UP WILL OPERATE BURNER ONLY. FAN AND LIGHT COMPONENTS WILL NOT FUNCTION ON BATTERY BACK-UP POWER.

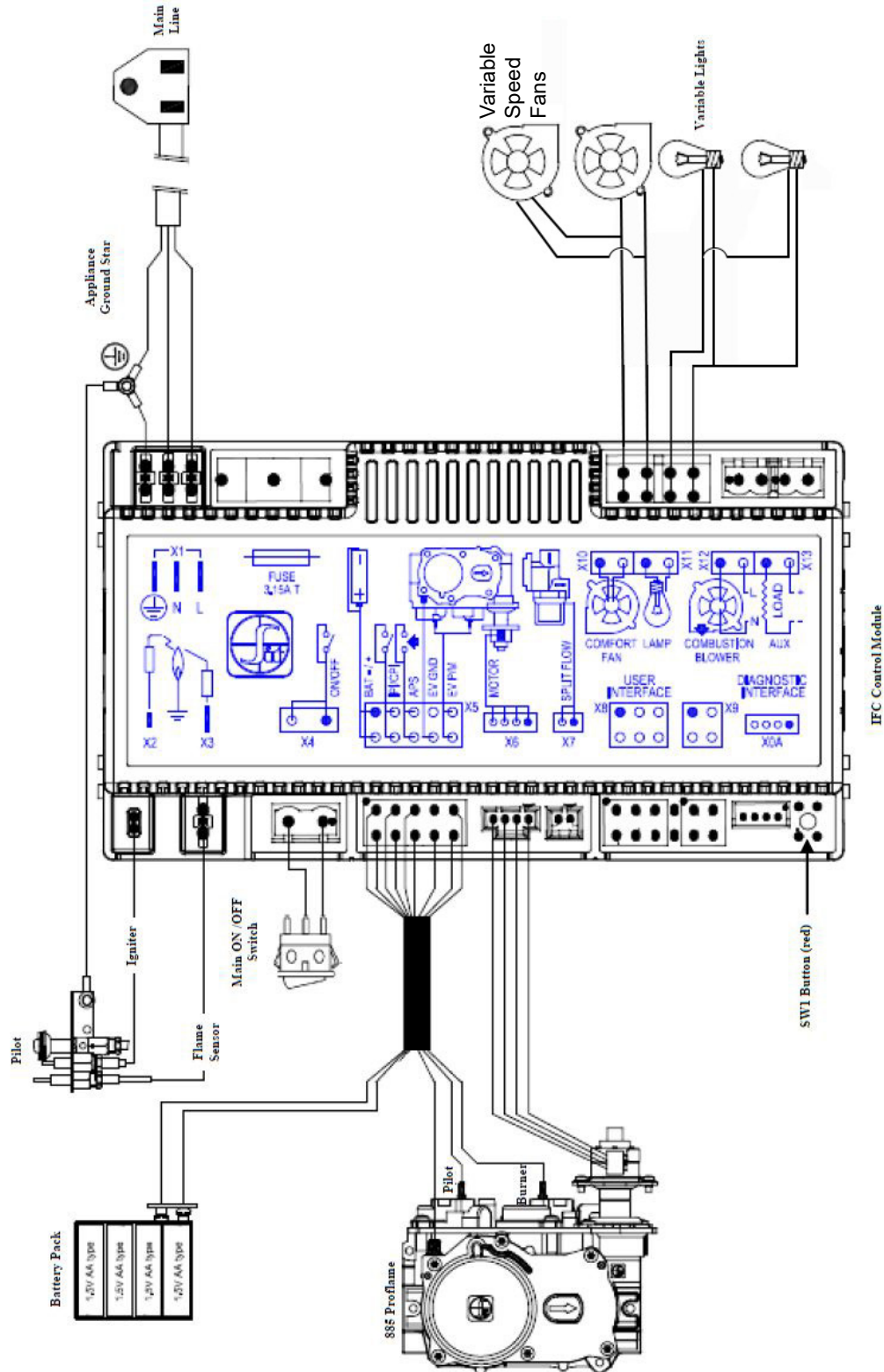


Figure 18.8.01

## 18.9 Troubleshooting

Issue	Solution
The pilot igniter won't spark.	<ol style="list-style-type: none"> <li>1. Ensure the ON/OFF switch is in the ON position.</li> <li>2. Ensure main power is ON and new batteries are installed in the remote control (3 x AAA) and backup battery pack on the control board (4 x AA).</li> <li>3. Make sure remote is synced with control board.</li> <li>4. Check the 3.15A fuse in the control board. Replace the fuse if necessary.</li> <li>5. Make sure remote is not in smart or thermostat mode.</li> <li>6. Ensure igniter wire is connected to the control board and is not damaged.</li> </ol>
The pilot igniter sparking, but the pilot will not light.	<ol style="list-style-type: none"> <li>1. Verify the inlet gas pressure is within acceptable limits.</li> <li>2. Check all connections to the gas valve.</li> <li>3. Ensure fuel supply valves and emergency shut-off valve are open.</li> <li>4. Check wiring connections from control board to valve.</li> <li>5. Check that the pilot is set to the correct fuel.</li> <li>6. Ensure pilot head is clear of debris.</li> </ol>
The pilot lights, but the main burner will not light.	<ol style="list-style-type: none"> <li>1. Check and verify all wiring connections match the wiring diagram.</li> <li>2. Verify the inlet and manifold pressure are within acceptable limits.</li> </ol>
The pilot lights, but the main burner will not light and igniter continues to spark.	<ol style="list-style-type: none"> <li>1. Check the pilot flame sensor rod and clean with steel wool or similar if dirty.</li> <li>2. Check the pilot hood and clean with steel wool if dirty.</li> <li>3. Ensure the flame sensor wire is plugged into the control board and is not damaged.</li> <li>4. Adjust pilot flame using the pilot adjustment screw if the pilot flame is too long or too short (the flame should fully engulf the sensor rod and must be stable).</li> <li>5. Check supply pressure.</li> <li>6. Ensure the ground wire from the pilot is connected to the fireplace ground location.</li> </ol>
The pilot was lit but will randomly go out.	<ol style="list-style-type: none"> <li>1. Turn the fireplace on again. If the fireplace is in continuous pilot on demand ignition mode, the system will turn off the pilot if the fireplace has not been used for seven days. You may also switch the fireplace to IPI mode (See <b>Section 17.4</b>).</li> <li>2. Have a service technician check for low inlet pressure.</li> </ol>
The flames on the main burner are low even though the remote is on high.	<ol style="list-style-type: none"> <li>1. Have a service technician check for low inlet pressure.</li> <li>2. Replace the valve motor.</li> </ol>
Fans do not work.	<ol style="list-style-type: none"> <li>1. Ensure main power is ON and the fireplace is plugged in (the fireplace may be operating on back up batteries).</li> <li>2. Check the 3.15A fuse in the control board and replace if necessary.</li> <li>3. Ensure the fans are connected to the control board.</li> </ol>
Lights do not work.	<ol style="list-style-type: none"> <li>1. Ensure main power is ON and the fireplace is plugged in (the fireplace may be operating on back up batteries).</li> <li>2. Check the 3.15A fuse in the control board and replace if necessary.</li> <li>3. Ensure the lights are connected to the control board.</li> <li>4. Replace the bulbs (bulbs may be burnt out).</li> </ol>
Control module beeps twice when On/Off button on remote is pressed and Red LED is On.	<ol style="list-style-type: none"> <li>1. Replace batteries in remote battery pack.</li> </ol>

**All service and repairs should be performed by a qualified and licensed service technician.**

### 19.0 Frequently Asked Questions

Listed below are some frequently asked questions regarding Ambiance Gas Fireplaces. If you have questions that are not listed below, or are not answered in this manual, please contact your Authorized Ambiance Dealer.

Q. My glass has a condensation “fog” when the appliance is first lit.

A. Condensation is normal and will disappear in a few minutes after the glass is heated. This can be reduced if the appliance is left in CPI mode.

Q. I have a white “film” on my glass. What is the best way to clean the inside of the glass.

A. Frequent cleaning of your glass is recommended. The white film cannot be removed using standard household glass cleaner. We recommend using a good quality, ammonia-free gas fireplace glass cleaner which is available at all authorized Ambiance dealers. Do not use abrasive materials, and do not clean the glass or the appliance when the unit is hot. Never use ammonia based cleaners to clean the glass door.

Q. How do I care for my plated trims.

A. We recommend a cleaning with a damp cloth. DO NOT use chemical cleaners as they may harm the finish, and void your warranty. **NOTE:** If the top grills, or top overlay starts to discolor, check the glass door gasket seal and contact your local Ambiance dealer to replace if necessary.

Q. My fan/blower makes a “whirring” or “humming” noise.

A. Your Ambiance gas appliance uses a powerful fan to push heated air into your room. It is not unusual to hear a “humming” noise when your fan is running. Note: the sound will change depending on the setting that your fan speed control is set at.

Q. I hear a “ticking”, “cracking” or “pinging” sound when my fireplace is running, and after it is turned off.

A. The different gauges of steel used to manufacture your fireplace will expand and contract at different rates when your fireplace is on, and will continued as your fireplace completes its heating function. You will likely hear these same sounds more on start up and shut down. This is normal for steel fireplaces.

Q. I hear a “click” when my main burner turns ON or OFF.

A. Your Gas Control Valve will make a clicking sound when it opens to allow gas to flow to the main burner. This is a normal part of the operating system.

Q. Can I burn wood and other materials in my gas fireplace.

A. No! Burning anything other than the fuel (natural gas or propane) the fireplace is setup for will create a potential fire hazard and present a danger to your home and its occupants and possibly void your manufacturer's warranty. Only burn the gas fuel for which the unit was originally designed.

Q. Can I shut my pilot off in the summer?

A. You will save energy by turning off the pilot light if you are not using your appliance for the hot summer months. When in continuous pilot ignition on demand (CPI) mode the pilot will remain lit for seven days after the fireplace is used. When seven days have passed the system will turn the pilot off. When in IPI mode, the pilot will only remain on when the main burner is on.

Q. Can I position my logs in a different fashion or use a different log set?

A. No. Your gas fireplace is an engineered system that includes the firebox, burner, logs, venting and options which are tested and listed with a certification agency. Changing any specifications or placement of the logs could cause injury or damage, void your manufacturer's warranty, and possibly even your homeowner's warranty. Use only burner media that is approved for this fireplace. Contact your local Ambiance dealer for information on burner media that is approved for this UF0100.

## 20. Replacement Parts List

Item #	Item Description
200-U100-20	English Owner's Manual
200-U100F-12	French Owner's Manual
314-0009	Glass Gasket (125 inches required)
308-6070	SIT Pro Flame II Electronic Control Module with Continuous Pilot on Demand
308-6022	SIT Pro Flame II Hand held Transmitter
308-6027	SIT 885 Gas Valve c/w Step Motor (0.885.009)
305-6012	Module Main Wiring Harness (5 wire)
305-0060	Battery Back-up
RP-305-2080	Fuse, 3.15A, 250V (Pack of 5)
301-0068-56, 301-0068-34	Orifice (Main Burner Orifice) Drill to # 56 & #34 DMS for Natural Gas
301-0068-63, 301-0068-51	Orifice (Main Burner Orifice) Drill to # 63 & #51 for LP (Propane) Gas
308-0123	Pilot Assembly, conv. PSE IPI (SIT connections)
UA8100	Burner Assembly - Log Burner
UA8101	Front Burner
UA8010	Door Assembly
305-6301	Light Socket (120V / 1000W)
305-6303	Light Bulb (120V / 35W)
UA2100	Conversion Kit LP to NG
UA2000	Conversion Kit NG to LP
305-0224	Replacement Blower
754-0057	Upper Hood
754-0058	Top Louver
800-0102	Lower Louver Assembly
305-6313	Amber Lens (2 Required)
UA0001	Complete Kentucky Oak Log Set c/w black embers
UA0002	Complete Eastern Township Birch Log Set c/w black embers
310-0020	Black Embers
UF0100/0110-BS	Barrier Screen

## Limited Warranty

This Limited Warranty is made by ARCHGARD INDUSTRIES LTD., hereinafter referred to as "Archgard". Archgard warrants to the original purchaser of an Archgard gas burning fireplace(s) that the product will be free from defects in materials and workmanship under normal use and service, for a "lifetime". All warranty repairs are to be performed by an authorized Archgard Dealer during the warranty period. Other repair / service company charges for any work done during the warranty period, will be the responsibility of the home owner.

### INCLUSIONS: "LIFETIME LIMITED WARRANTY"

- All heat exchangers and combustion chamber
- Ceramic Fiber Logs and Ceramic Brick Panels, against splitting and cracking due to heat exposure

**NOTE:** Discoloration and some minor movement including warping of certain parts are normal and are not a defect; therefore, not covered under warranty.

### INCLUSIONS: "TEN YEAR LIMITED WARRANTY"

- Burner tubes and pans

### INCLUSIONS: "TWO YEAR LIMITED WARRANTY"

- Ceramic Glass against thermal breakage
- Trims and accessories from splitting or separating
- Electronic Control Module, Remote Transmitter

The above will be covered under "Parts & Labour" to the original purchaser for one (1) year and "Parts Only" thereafter from original date of purchase.

### INCLUSIONS: "ONE YEAR LIMITED WARRANTY"

- Blowers, fans and fan motors, wiring, rheostats and thermostats
- Rocker switches, spill switches and wiring to them
- Gas control valves, pilot assemblies including thermopiles, thermocouples, electrodes and igniters
- Paint peeling or cracking

The above will be covered under "Parts & Labour" to the original purchaser for one (1) year from date of purchase.

### WHAT TO DO IN THE EVENT OF A PROBLEM:

- Thoroughly read your "Owner's Installation, Operation & Maintenance Manual"
- If you cannot solve the problem, contact your Archgard dealer or representative
- When calling for assistance, please have the following information:
  - **Model of your fireplace**
  - **Serial Number**
  - **Place of Purchase**
  - **Date of Purchase**
  - **Problem Description**

**NOTE:** Warranty will be void if work is carried out by an unqualified person(s). Only original Archgard parts may be used. Please consult your Archgard dealer or representative if in doubt about a replacement part(s).

- All warranty repairs are to be performed by an authorized Archgard Dealer during the warranty period. Other repair / service company charges for any work done during the warranty period, will be the responsibility of the home owner.

### OBTAINING WARRANTY SERVICE:

The original purchaser shall return the defective part(s) to the original authorized Archgard dealer – transaction prepaid, along with the serial number of the appliance and original proof of purchase. Any defective part, in our judgment, will be repaired or replaced at Archgard's discretion. The dealer must obtain approval from Archgard before any repairs are made.

### WARRANTY LIMITATION:

THIS LIMITED WARRANTY IS MADE IN LIEU OF ALL OTHER WARRANTIES, EXPRESSED OR IMPLIED AS TO QUALITY, MERCHANTABILITY OR FITNESS FOR PARTICULAR PURPOSE.

The appliance is only warranted for the use as intended by the installation and operating instructions and local building codes. The warranty will not cover damage due to accident, misuse, abuse, alteration, improper installation or "Acts of God". This limited warranty is void unless the appliance is installed by a qualified Archgard installer, in accordance with the instructions furnished with the appliance. Some Provinces or States do not allow limitations on how long an implied warranty lasts, so the above limitations may not apply to the original purchaser. Any damage resulting from defects in this product is limited to the replacement of the defective part(s) and does not include incidental and consequential exposures sustained in connection with the product. This includes facing(s), mantle(s), cabinet(s), tile(s) or any other finishes resulting from removal of any gas appliance. This warranty is limited to residential use only and gives the consumer specific rights. These rights may vary from State to State or Province to Province.

### WARRANTY CONDITIONS & REQUIREMENTS:

1. You are the original purchaser – this warranty is not transferable.
2. Installation of the fireplace must be performed by a qualified Archgard installer.
3. Installation and operation must comply with the installation and operation instructions.
4. All optional accessories are covered for one (1) year from the date of purchase.
5. This warranty does not offer coverage for light bulbs or batteries (whether factory, dealer, or installer supplied). This includes any damage stemming from non-use.
6. Damage during shipping or handling of components, defects resulting from improper installation or service, or misuse of the fireplace or fireplace components are not covered under this warranty.
7. This warranty does not cover any part of the fireplace or any component which has been exposed to or submerged under water.
8. Archgard must be notified by the dealer the fireplace was purchased from or a qualified Archgard technician of the defect.
9. Annual service of the fireplace as required in the installation manual must be performed by a qualified Archgard technician (service records may be required to claim a warranty).
10. All previous warranty service must have been performed by a qualified Archgard technician (service records may be required to claim a warranty).
11. Travel time or mileage to the original purchaser's residence is not covered under this warranty. We suggest that you pre-arrange travel expenses with your Authorized Archgard Dealer.

POSTAGE

WARRANTY REGISTRATION

ARCHGARD INDUSTRIES LTD.  
7116 BEATTY DRIVE  
MISSION, B.C. CANADA  
V2V 6B4

CUT ALONG LINE

FOLD DOWN AT LINE

CUT ALONG LINE

FOLD DOWN AT LINE & TAPE CLOSED

Model # : \_\_\_\_\_ Serial #: \_\_\_\_\_ Date Installed: \_\_\_\_\_ / \_\_\_\_\_ / \_\_\_\_\_

Name: \_\_\_\_\_ Address: \_\_\_\_\_

City: \_\_\_\_\_ State/Prov: \_\_\_\_\_ ZIP: \_\_\_\_\_ Phone: ( \_\_\_\_\_ ) \_\_\_\_\_

Dealer's Name & Address: \_\_\_\_\_

City: \_\_\_\_\_ State/Prov: \_\_\_\_\_ ZIP: \_\_\_\_\_ Phone: ( \_\_\_\_\_ ) \_\_\_\_\_

Installer's Name & Address: \_\_\_\_\_

City: \_\_\_\_\_ State/Prov: \_\_\_\_\_ ZIP: \_\_\_\_\_ Phone: ( \_\_\_\_\_ ) \_\_\_\_\_

Why did you choose this product? \_\_\_\_\_

CUT ALONG LINE

*Thank you for purchasing our product and filling out this warranty card. Save time by completing this form at [www.archgard.com/warranty-registration](http://www.archgard.com/warranty-registration)*

7116 BEATTY DRIVE  
MISSION, B.C. V2V 6B4  
CANADA

WEBSITE: [WWW.ARCHGARD.COM](http://WWW.ARCHGARD.COM)